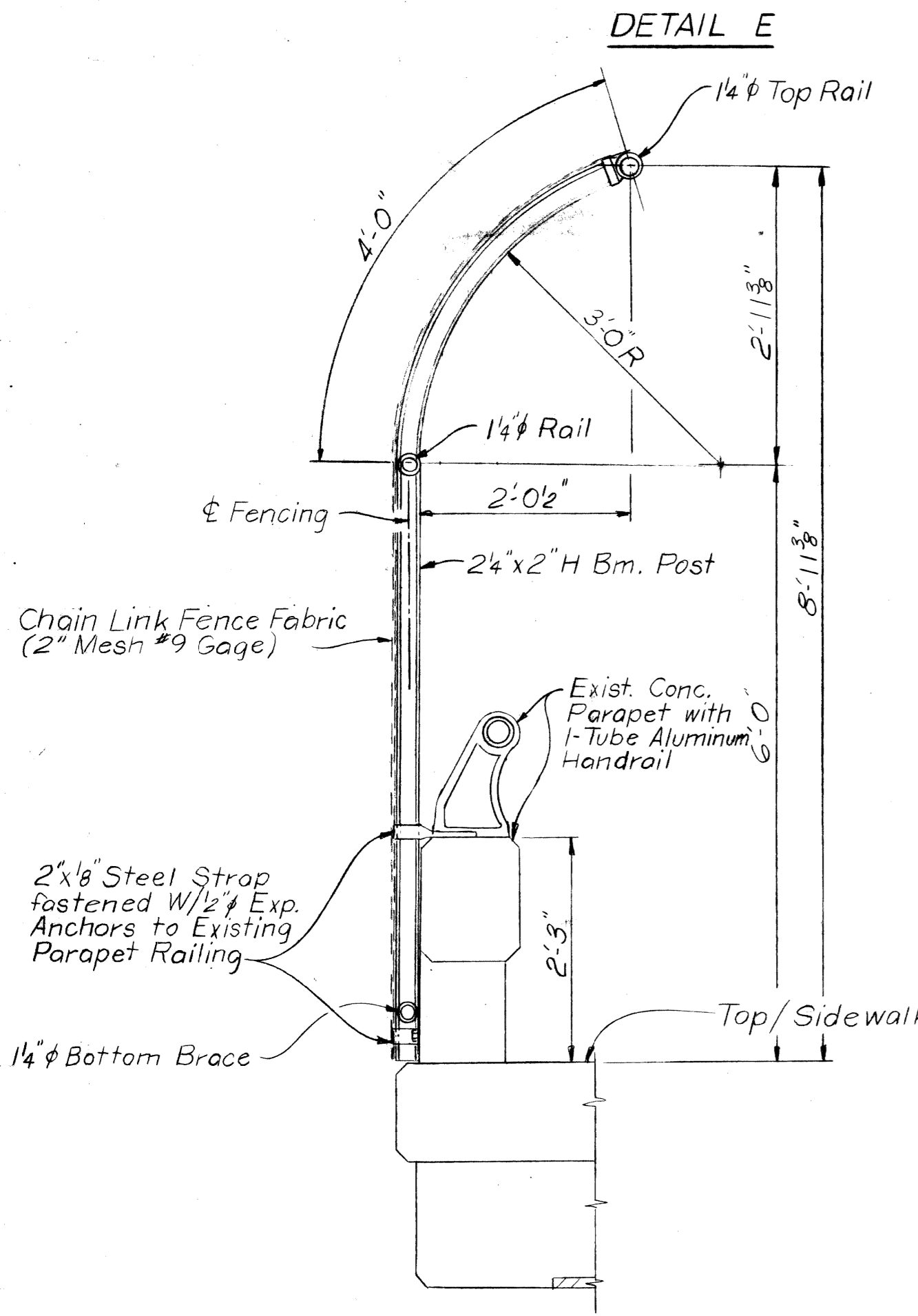
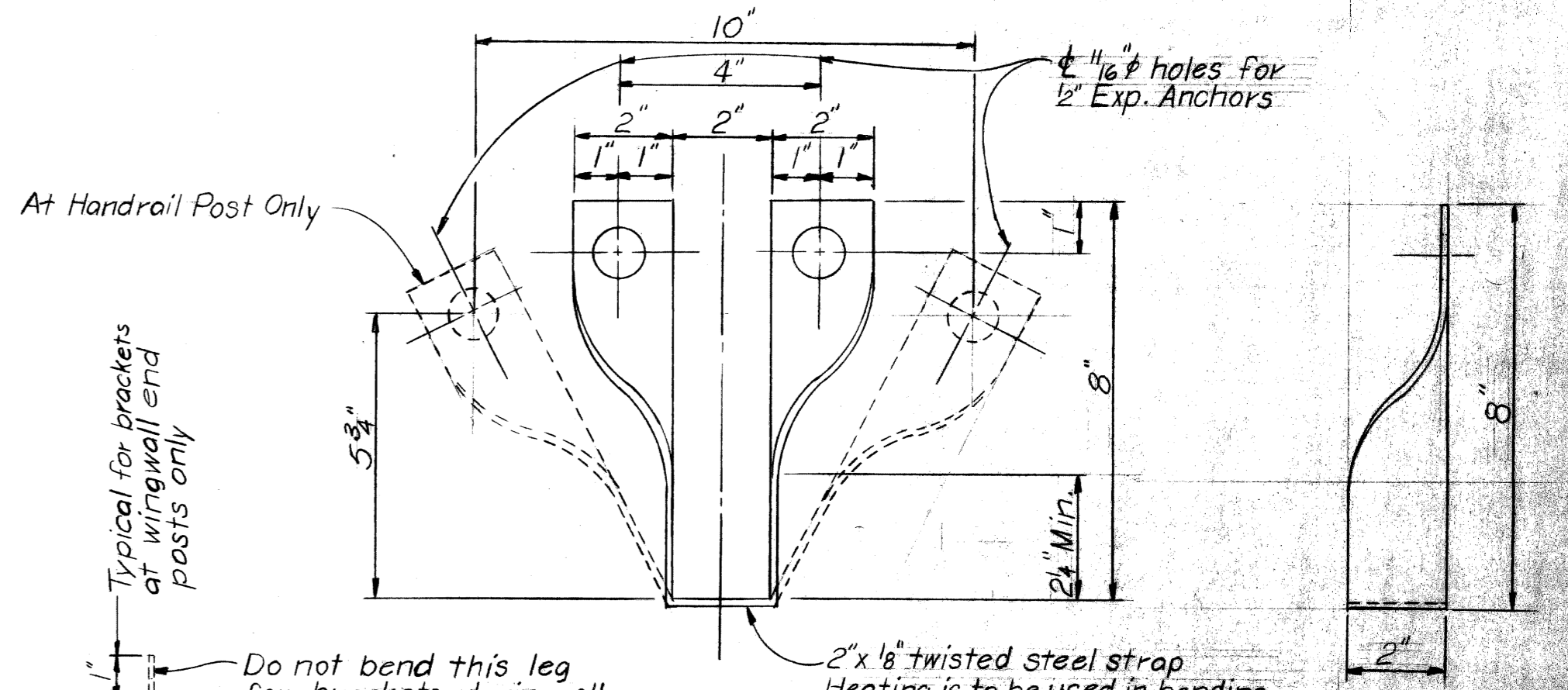
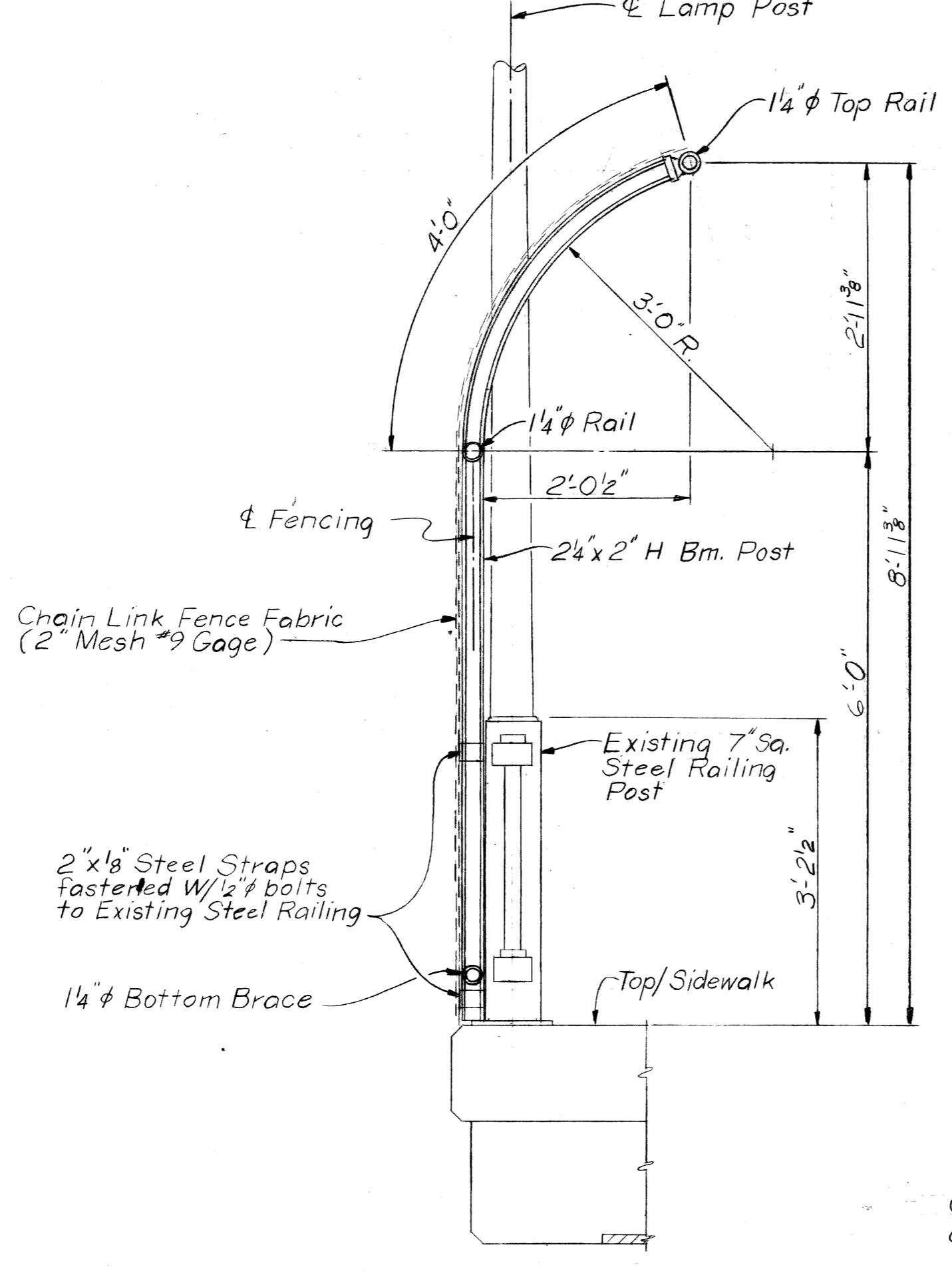


Note:  
All fencing is to be erected from the top of the bridge. The Contractor is to exercise care and conduct his operation in such a manner that the pedestrian and vehicular traffic will be maintained at all times. The traffic on the freeways is not to be disturbed.

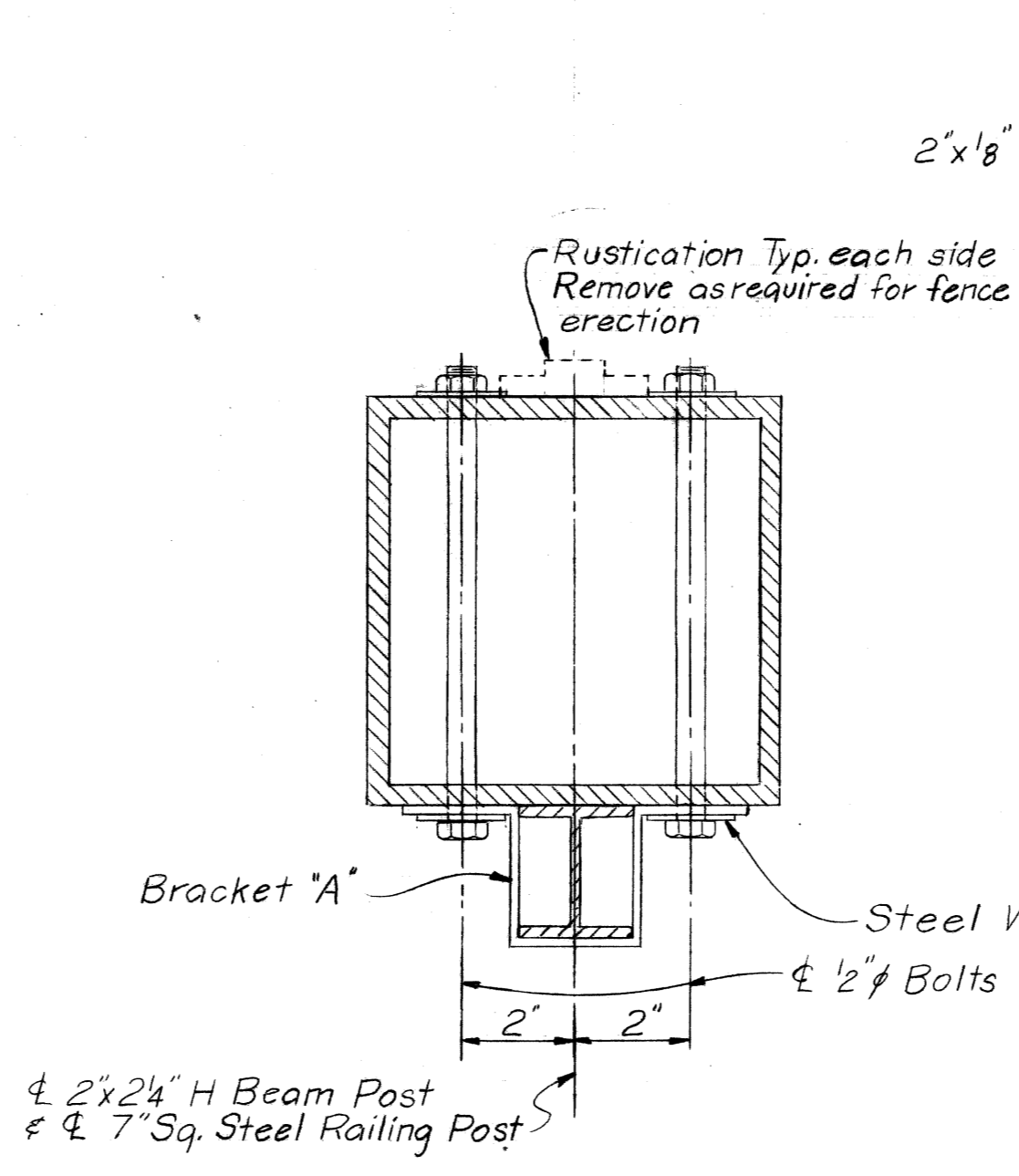


TYPICAL SECTION THRU PARAPET TYPE RAILING

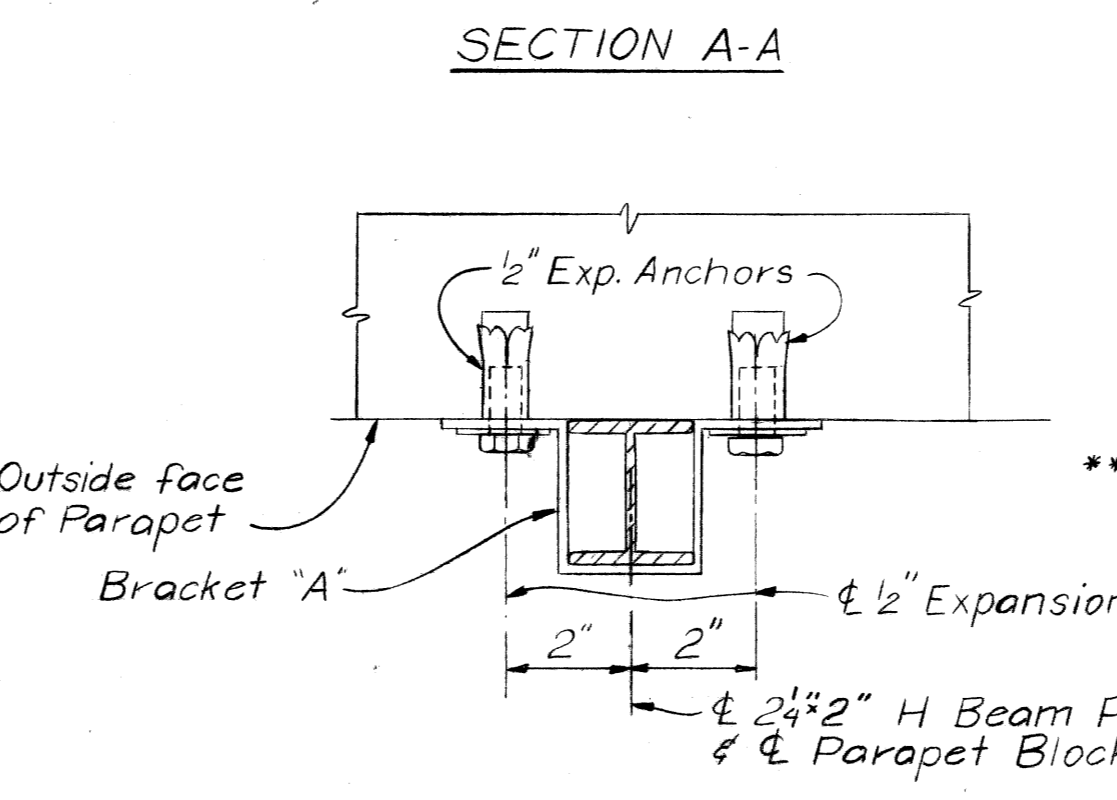


TYPICAL SECTION THRU STEEL RAILING

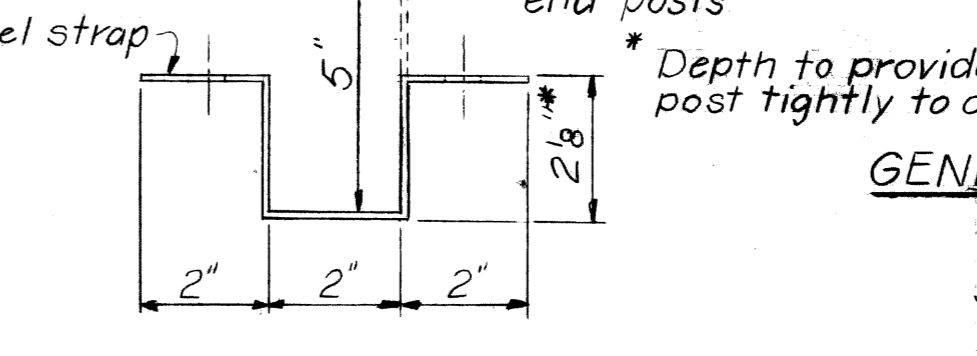
Note:  
Fence fabric continuous @ lamp post but may be cut and spliced. Reinforce opening in the fabric at post with 6 gage wire.



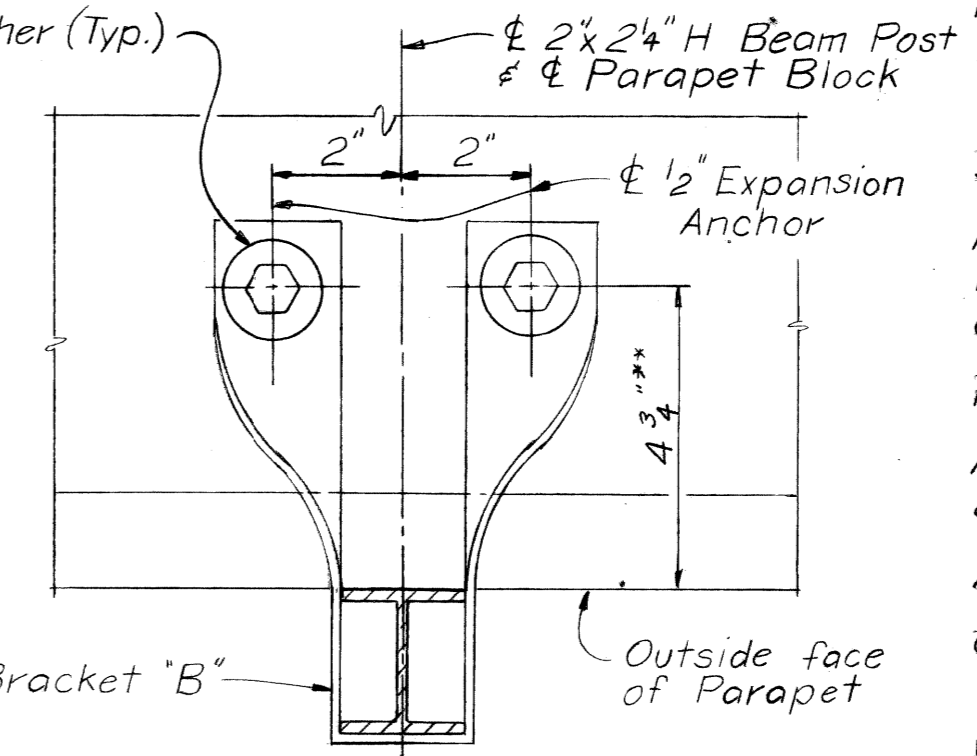
SECTION A-A



SECTION B-B



DETAIL-BRACKET 'A'



SECTION C-C

\*\* Care is to be taken in placing expansion anchors and installing brackets so as to result in brackets holding posts firmly against concrete.

GENERAL NOTES:

- The Chain Link Fence and Framing shall conform to the M.D.S.H. Specifications for Highway Construction 1970 edition.
- Dimensions are Horizontal along  $\phi$  Fencing
- The posts shall be 24x24 H posts weighing 4.1 lbs. per ft. galvanized. Nominal 1/4 inch pipe shall be 1 7/8 outside diameter steel pipe or tubing weighing 2.27 lbs. per ft. galvanized.
- Expansion Anchors of the size indicated shall be Phillips Red Head Anchor, Chicago Expansion Bolt Co. - Special Flush Self Drilling Anchor or approved equal.
- All posts and tubing shall be furnished with suitable connections and its minimum weight shall be within 5% of that specified. Posts and Tubing shall be bent in the shop as shown on the plans.
- The item Chain Link Fence and Framing includes the chain link fence fabric, posts, pipe, all suitable connections and fittings, steel brackets, and expansion anchors, as shown on the plans.
- All components are to be galvanized after fabrication. Bolts, nuts and washers to be galvanized in accordance with A.S.T.M. designation A153.
- Peen all 3/8 inch bolts.
- All fabric for chain link fence shall be furnished with knuckling at both selvages.
- All Fence Fabric shall be #9 gage 2 inch mesh.
- Contractor shall verify field conditions before fabrication.

PLANS PREPARED BY:  
CITY OF DETROIT  
DEPARTMENT OF PUBLIC WORKS  
CITY ENGINEERS OFFICE  
T. E. McDevan  
STRUCTURAL ENGINEER

MICHIGAN DEPARTMENT OF STATE HIGHWAYS

FENCING DETAILS

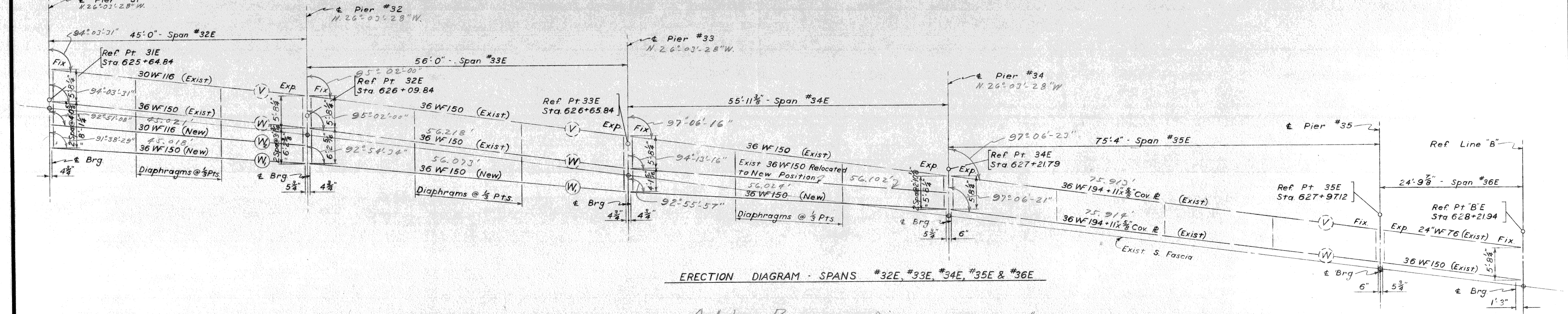
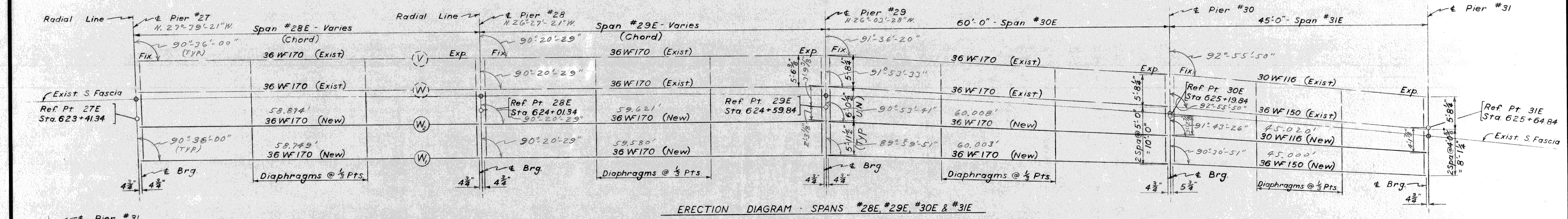
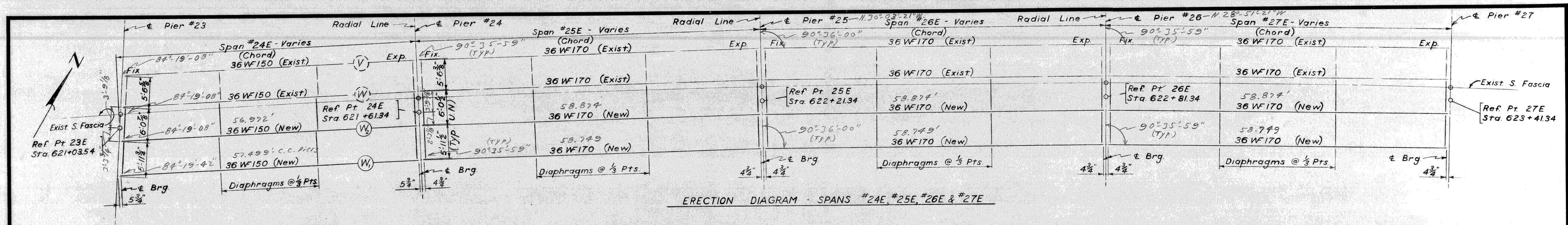
NO.	DESCRIPTION	DATE	BY

SQUAD BOSS	M. Moore	5-73
DRAWN BY	L.G.	4-73
CHECKED BY	J.M.	8-73
SHEET 40 of 40		

Return to J. McGuire

QUANTITY SHEET - E

ITEMS	AS PER PLANS													AS CONSTRUCTED													
	SHEET NO'S.													SHEET NO'S.													
	TOTALS	UNITS												TOTALS	UNITS												
PEDESTRIAN FENCING, STRUCTURES S-07	5432	SF																									
PEDESTRIAN FENCING, STRUCTURES S-08	5192	SF																									
PEDESTRIAN FENCING, STRUCTURES S-11	1327	SF																									
PEDESTRIAN FENCING, STRUCTURES S-12	2654	SF																									
PEDESTRIAN FENCING, STRUCTURES S-13	4587	SF																									
PEDESTRIAN FENCING, STRUCTURES S-23	4704	SF																									
PEDESTRIAN FENCING, STRUCTURES S-14	3111	SF																									
PEDESTRIAN FENCING, STRUCTURES S-17	2171	SF																									
LIGHTED ARROW, TYPE A, FURNISHED	2	EA																									
LIGHTED ARROW, TYPE A, OPERATED	2	EA																									
BARRICADE, TYPE III	4	EA																									
SIGN, TYPE B, TEMPORARY	36	SF																									
MOBILIZATION	1	LS																									
MINOR TRAFFIC DEVICES	1	LS																									
ELECTRICAL GROUNDING SYSTEM S-07	1	LS																									
ELECTRICAL GROUNDING SYSTEM S-08	1	LS																									
ELECTRICAL GROUNDING SYSTEM S-11	1	LS																									
ELECTRICAL GROUNDING SYSTEM S-12	1	LS																									
ELECTRICAL GROUNDING SYSTEM S-13	1	LS																									
ELECTRICAL GROUNDING SYSTEM S-23	1	LS																									
ELECTRICAL GROUNDING SYSTEM S-14	1	LS																									
ELECTRICAL GROUNDING SYSTEM S-17	1	LS																									



All Beam Dimensions Are  
C-C Piers

MICHIGAN STATE HIGHWAY DEPARTMENT

REVISIONS			
NO.	DESCRIPTION	DATE	BY

SQUAD BOSS	
DRAWN BY	L.B. Jackson 10-61
TRACED BY	L.B. Jackson 10-61
CHECKED BY	E. Harris 10-61
SHEET	OF