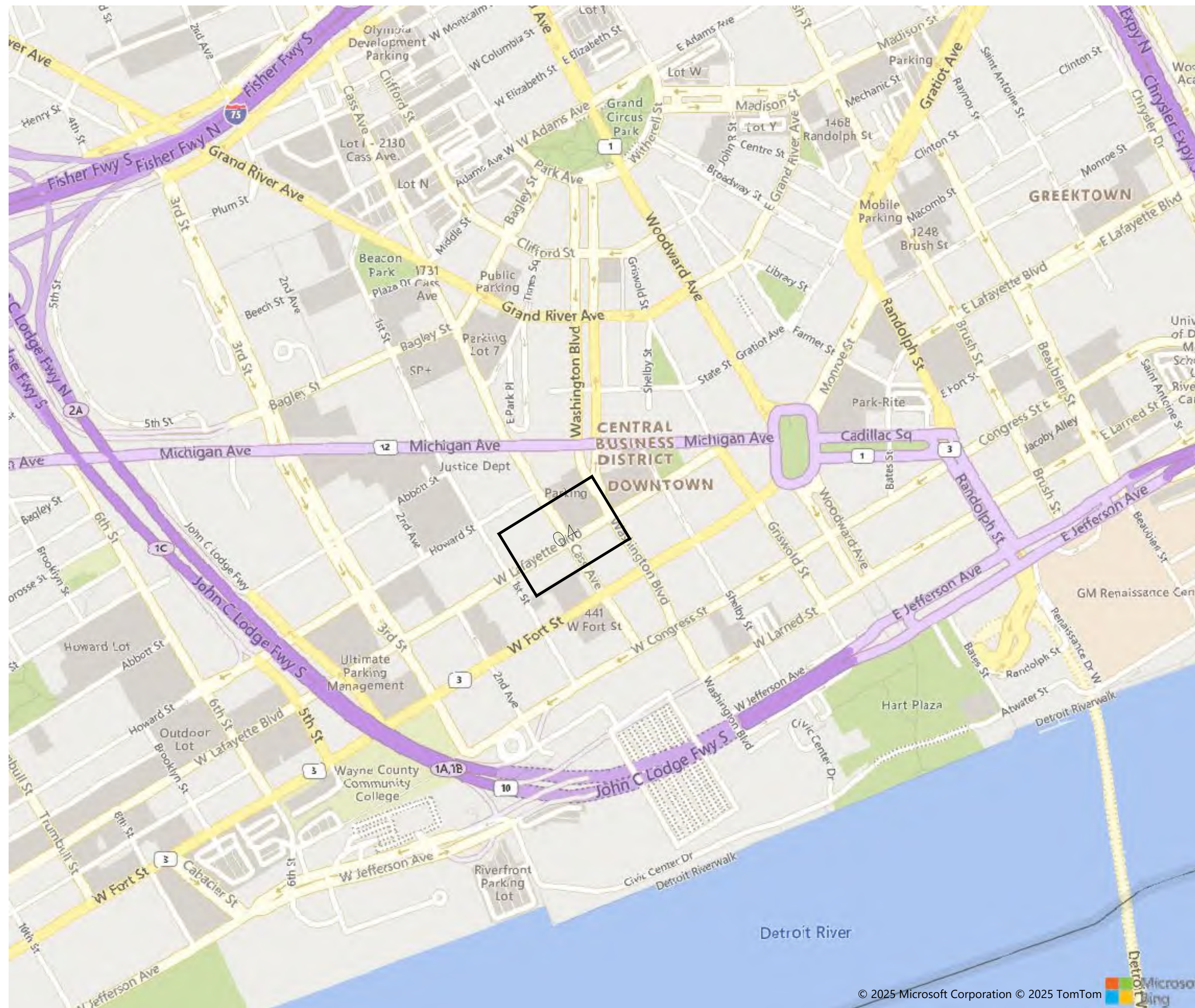


LOCATION MAP
NOT TO SCALE

IKE KIOSK - DOWNTOWN DETROIT
DET - 060 LAFAYETTE BLVD & CASS AVE
CITY OF DETROIT
WAYNE COUNTY, MI
PERMIT/CONSTRUCTION PLANS



OWNER
 IKE SMART CITY
 250 N HARTFORD AVE
 COLUMBUS, OH 43222
 CONTACT: HARDIN, MATTHEW
 PHONE: (614) 209-6400
 EMAIL: MHARDIN@IKESMARTCITY.COM

KIOSK MANUFACTURER
 DISPLAY DEVICE INC.
 21075 WESTGATE RD
 GOLDEN, CO 80403
 CONTACT: PERKINS, ERIC
 PHONE: (303) 929-4071

ENGINEER
 METRO ENGINEERING SOLUTIONS
 22300 HAGGERTY RD
 NORTHVILLE, MI 48167
 CONTACT: GAMBLE, JUSTIN
 PHONE: (734) 341-5753
 EMAIL: JGAMBLE@METROES.NET

DRAWING INDEX

NO.	DESCRIPTION
01	TITLE
02-03	CITY OF DETROIT SPECS
04	PLAN VIEW
05	RESTORATION PLAN
06	IKE KIOSK SPECS
07	FOUNDATION SPECS
08	ADA SPECS
09	IKE NOTES
10-11	M.O.T.

ike SMART CITY
 250 N HARTFORD AVE
 COLUMBUS, OHIO 43222
 PHONE: 614.589.0087



January 13, 2026
 CONTRACTOR/AS-BUILT

REV.	DATE:	ISSUED FOR:
01	01/13/26	EXISTING ELEVATIONS SHOWN SIDEWALK JOINTING DETAILS ADDED

SITE NAME:
 DET-060
 W LAFAYETTE BLVD
 & CASS AVE

JOB: 1035-25-2749_DS

DRAW DATE: 01/13/26

PLOT DATE: 01/13/26

DRAWN BY: RLS

TITLE: COVER

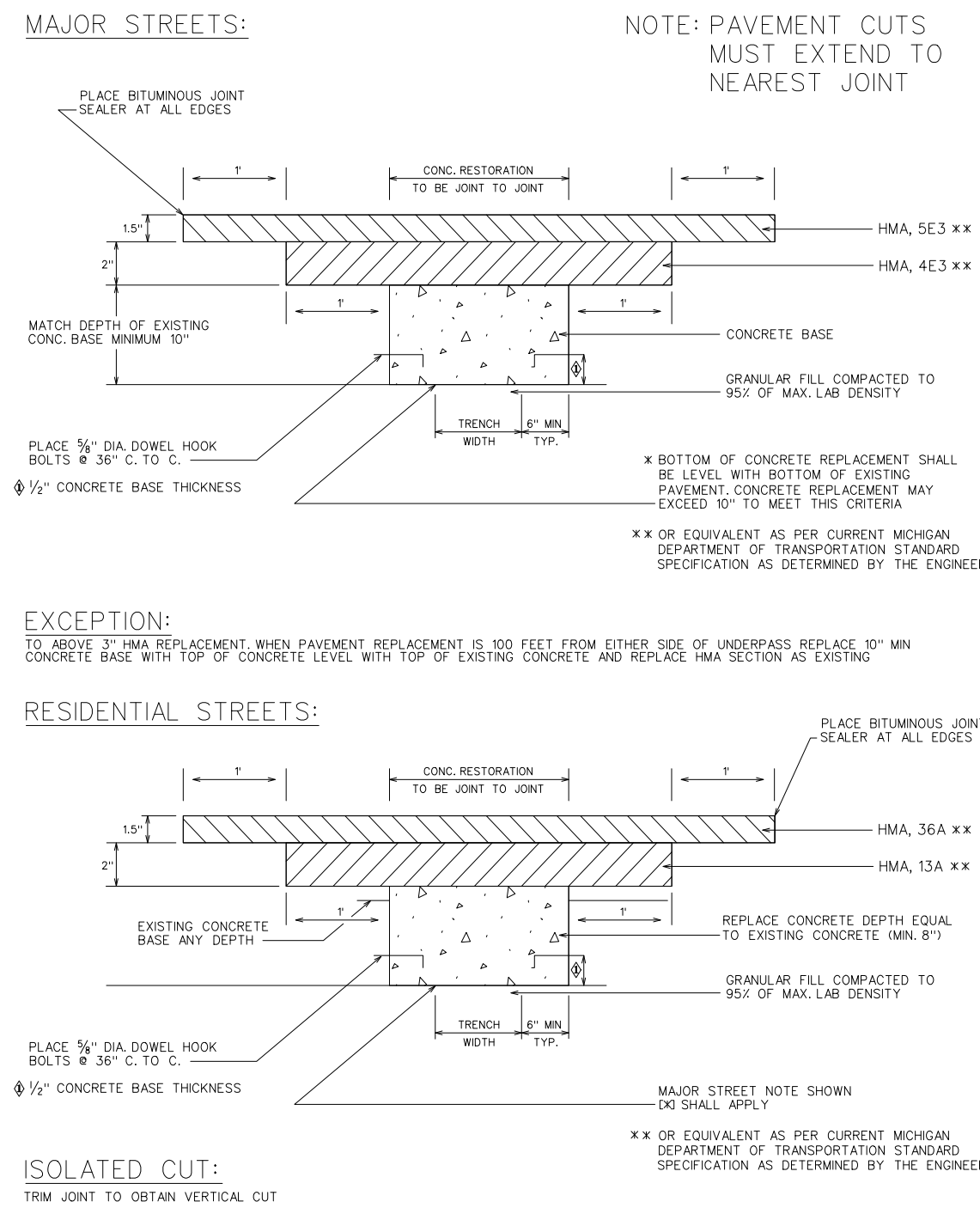
SHEET: 01 OF 11

CONSTRUCTION SITE SAFETY IS THE RESPONSIBILITY OF THE CONTRACTOR. NEITHER THE OWNER NOR THE ENGINEER SHALL BE EXPECTED TO ASSUME ANY RESPONSIBILITY FOR SAFETY OF THE WORK, OF PERSONS ENGAGED IN THE WORK, OF ANY NEARBY STRUCTURES, OR OF ANY OTHER PERSONS.
 COPYRIGHT © 2026 METRO ENGINEERING SOLUTIONS; ALL RIGHTS RESERVED.

THE LOCATIONS OF EXISTING UNDERGROUND UTILITIES ARE SHOWN IN AN APPROXIMATE WAY ONLY AND HAVE NOT BEEN INDEPENDENTLY VERIFIED. THE CONTRACTOR SHALL DETERMINE THE EXACT LOCATION OF ALL EXISTING UTILITIES BEFORE COMMENCING WORK, AND AGREES TO BE FULLY RESPONSIBLE FOR ANY AND ALL DAMAGES WHICH MIGHT BE OCCASIONED BY THE CONTRACTOR'S FAILURE TO EXACTLY LOCATE AND PRESERVE ANY AND ALL UNDERGROUND UTILITIES.



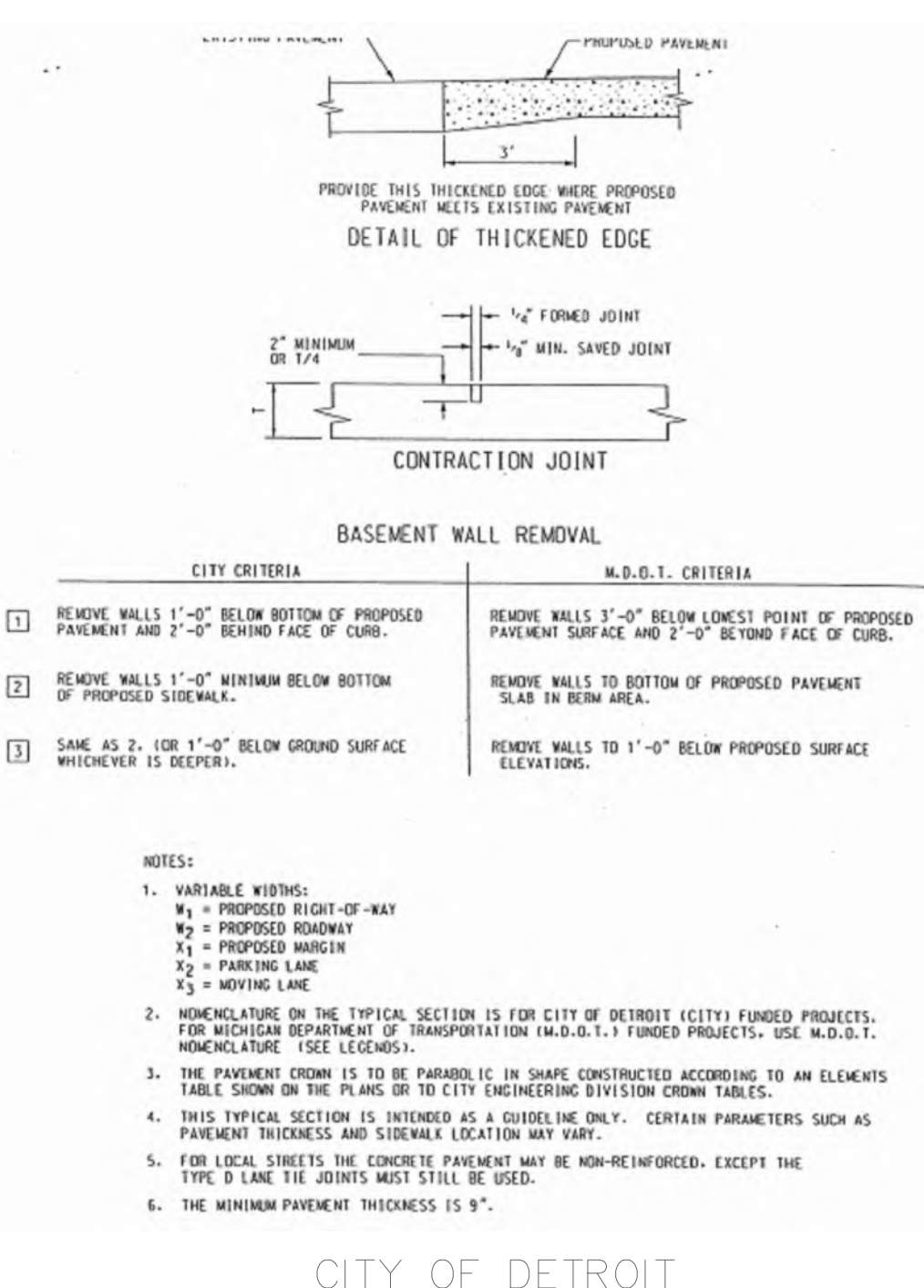
K:\1035 - Non DTE - Designs\1035-IKE\Detroit Market\1035-25-2749_Lafayette Blvd & Cass Ave (DET-060)\DWG\1035-25-2749_DS.dwg; 1/13/2026 3:33 PM;



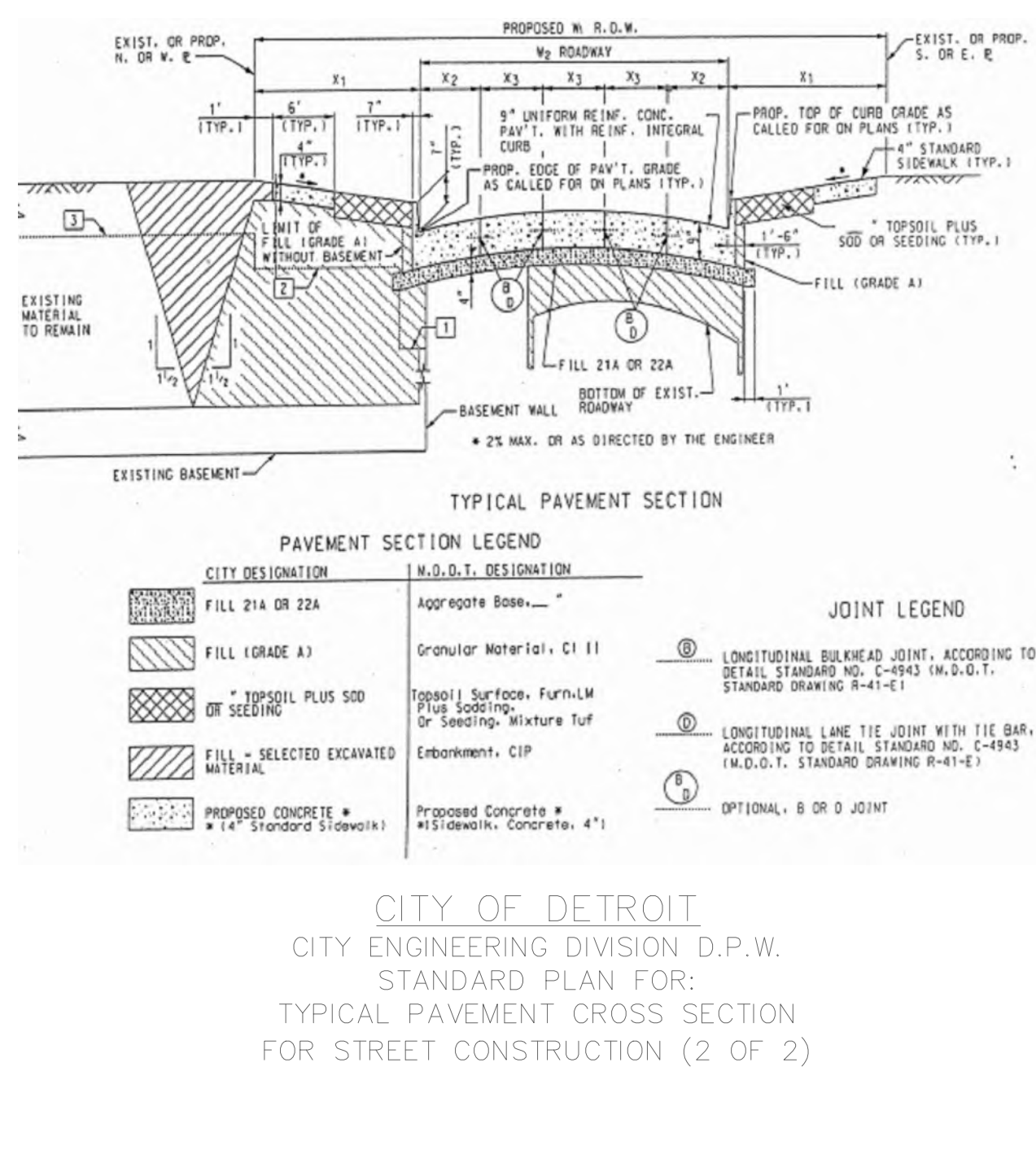
HMA SURFACE ON CONCRETE BASE UTILITY TRENCH CONSTRUCTION PAVEMENT RESTORATION		CITY OF DETROIT CITY ENGINEERING DIVISION SURVEY BUREAU	
DRAWN BY: WLW CHECKED BY: KSM DATE: 08/29/18 APPROVED BY: SKB	JOB NO. DRAWING NO. 1 OF 2	DRAWN BY: WLW CHECKED BY: KSM DATE: 08/29/18 APPROVED BY: SKB	JOB NO. DRAWING NO. 2 OF 2

- CITY OF DETROIT NOTES**
- MILL (REMOVE) HMA PAVEMENT WITHIN AND BEYOND THE AREA OF TRENCH PAVEMENT REMOVAL IN ORDER TO DETERMINE LOCATION OF UNDERLYING CONCRETE BASE PAVEMENT JOINTS. MILL MINIMUM TO 1' BEYOND NEAREST CONCRETE JOINTS.
 - EXTEND UTILITY TRENCH CONCRETE PAVEMENT REMOVAL TO ALL CONCRETE PAVEMENT JOINTS AND / OR CURBS ADJACENT TO THE TRENCH AREA. REMOVAL SHALL BE "JOINT TO JOINT".
 - CONCRETE PAVEMENT CUTS SHALL BE MINIMUM 3' WIDE.
 - ALL PAVEMENT CUTS SHALL BE MINIMUM 1" WIDER THAN TRENCH WIDTH.
 - ALL REMOVALS SHALL BE SAWCUT STRAIGHT AND SQUARE (90 DEGREES).
 - CONCRETE RESTORATION PAVEMENT SHALL BE MDOT P1 MIX (3,500 PSI).
 - RESTORED CONCRETE PAVEMENT SHALL MATCH THICKNESS OF EXISTING CONCRETE PAVEMENT IN CONFORMANCE WITH MDOT STANDARDS DETAIL R-44-F.
 - RESTORED CONCRETE SHALL BE ANCHORED TO EXISTING CONCRETE PAVEMENT IN CONFORMANCE WITH MDOT STANDARD DETAIL R-44-F.
 - APPLY HMA TACK COAT PER MDOT STANDARD SPECIFICATIONS SECTION 904.
 - RESTORE HMA PAVEMENT 3/2" TO MATCH EXISTING, IN 2 LIFTS:
1ST LIFT - 2" MDOT HMA 4E3 (13A RESIDENTIAL), COMPACTED, EXTENDED 1' BEYOND BASE CONCRETE REPAIR.
2ND LIFT - 1/2" MDOT HMA 5E3 (36A RESIDENTIAL), COMPACTED, EXTENDED 1' BEYOND 1ST LIFT..
 - BITUMINOUS JOINT SEALER SHALL BE PLACED AT ALL FINISHED HMA JOINTS.
 - ALL DISTURBED PAVEMENT MARKINGS AND OTHER ASSETS, INCLUDING BIKE LANE DELINEATORS, WILL HAVE TO BE REPLACED AT THE COST OF THE PERMIT HOLDER, AND SHALL CONFORM TO THE LATEST CED / TED STANDARDS.
 - FOR OTHER RELATED SPECIFICATIONS (BACKFILL COMPACTION, MATERIALS, ETC...), REFER TO DIVISION 15 OF THE STANDARD SPECIFICATIONS FOR PAVING AND RELATED CONSTRUCTION.
 - NOTIFY THE CITY OF DETROIT ENGINEERING DEPARTMENT 24 HOURS PRIOR TO STARTING CONSTRUCTION.
 - ANY OPEN EXCAVATIONS ARE TO BE STEEL PLATED. IF EXCAVATIONS ARE IN THE PAVEMENT, THE PLATES ARE TO BE SPIKED AND RAMPED WITH COLD PATCH. CONTACT THE CITY WITH LOCATION OF THE STEEL PLATE.
 - THE CITY OF DETROIT REQUIRES ALL CONCRETE WORK TO BE STAMPED WITH A CONTRACTOR'S IDENTIFICATION STAMP.

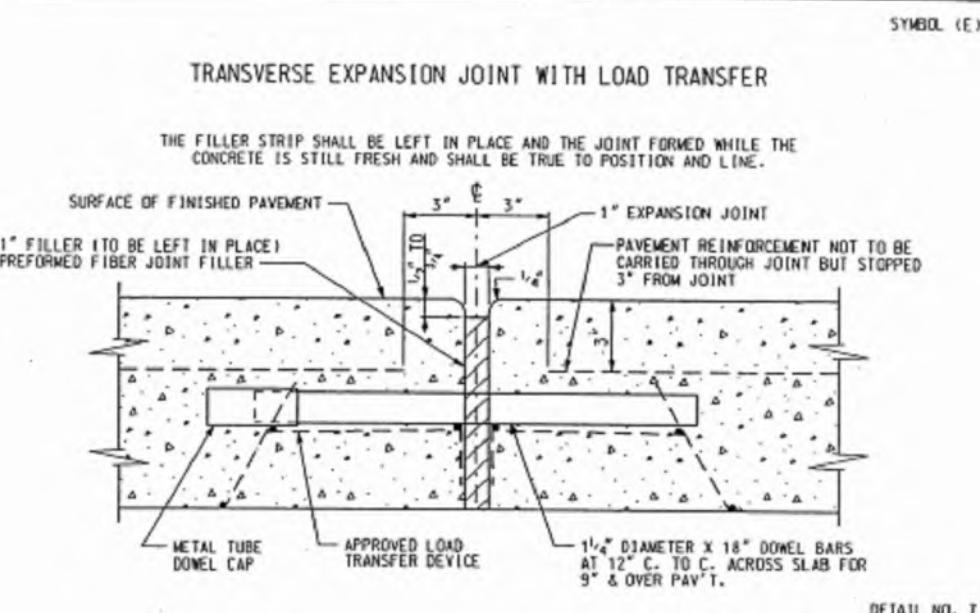
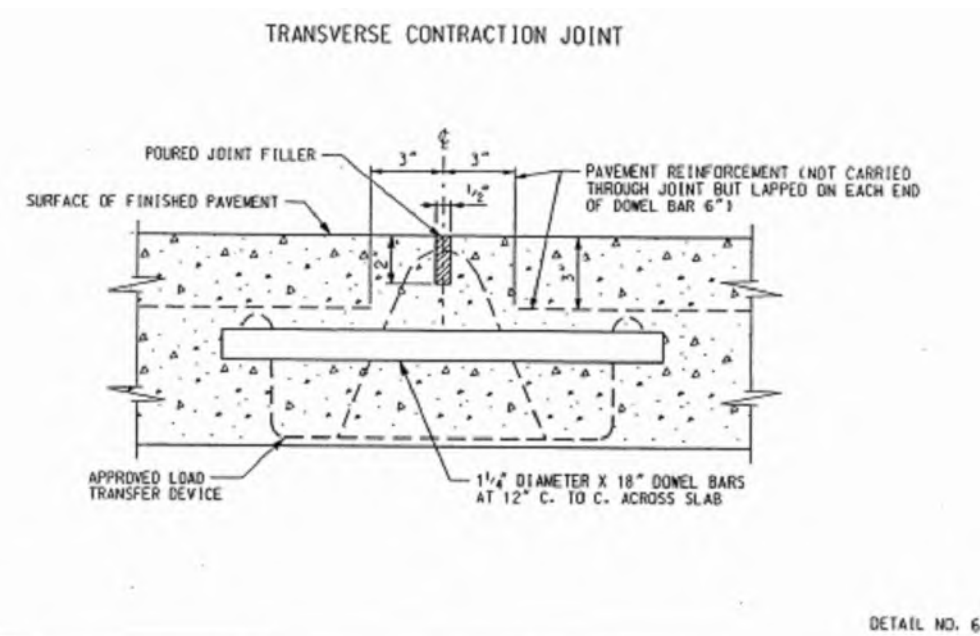
HMA SURFACE ON CONCRETE BASE UTILITY TRENCH CONSTRUCTION PAVEMENT RESTORATION		CITY OF DETROIT CITY ENGINEERING DIVISION SURVEY BUREAU	
DRAWN BY: WLW CHECKED BY: KSM DATE: 08/29/18 APPROVED BY: SKB	JOB NO. DRAWING NO. 1 OF 2	DRAWN BY: WLW CHECKED BY: KSM DATE: 08/29/18 APPROVED BY: SKB	JOB NO. DRAWING NO. 2 OF 2



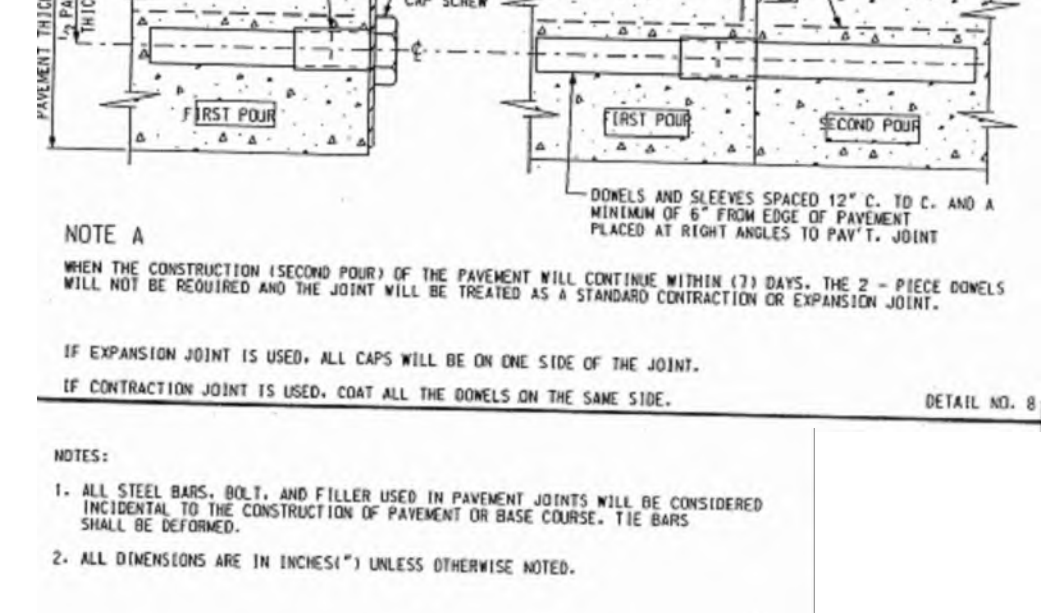
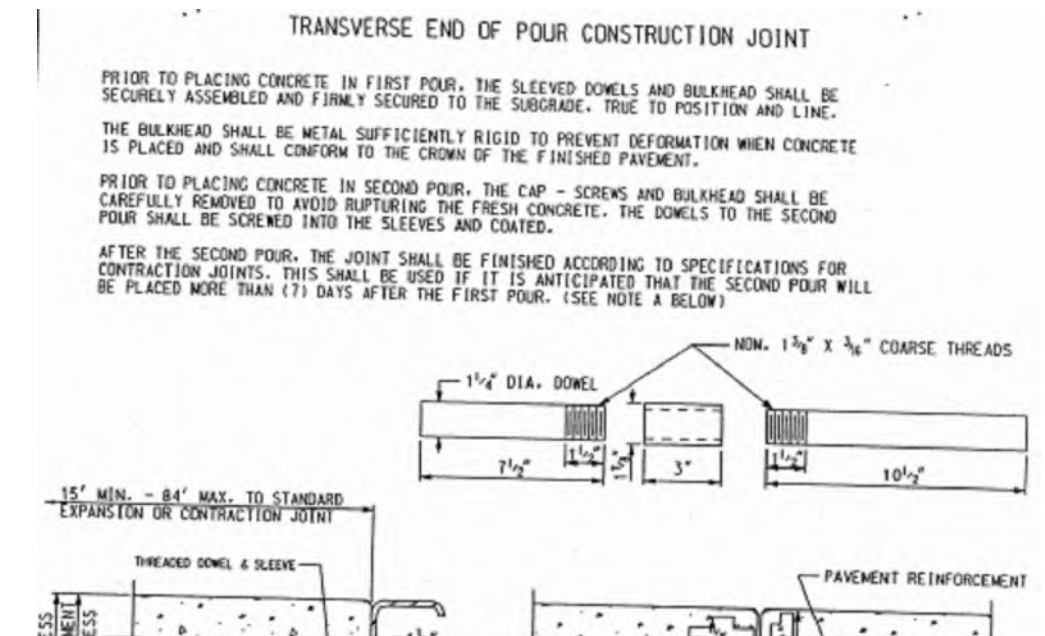
HMA SURFACE ON CONCRETE BASE UTILITY TRENCH CONSTRUCTION PAVEMENT RESTORATION		CITY OF DETROIT CITY ENGINEERING DIVISION SURVEY BUREAU	
DRAWN BY: WLW CHECKED BY: KSM DATE: 08/29/18 APPROVED BY: SKB	JOB NO. DRAWING NO. 1 OF 2	DRAWN BY: WLW CHECKED BY: KSM DATE: 08/29/18 APPROVED BY: SKB	JOB NO. DRAWING NO. 2 OF 2



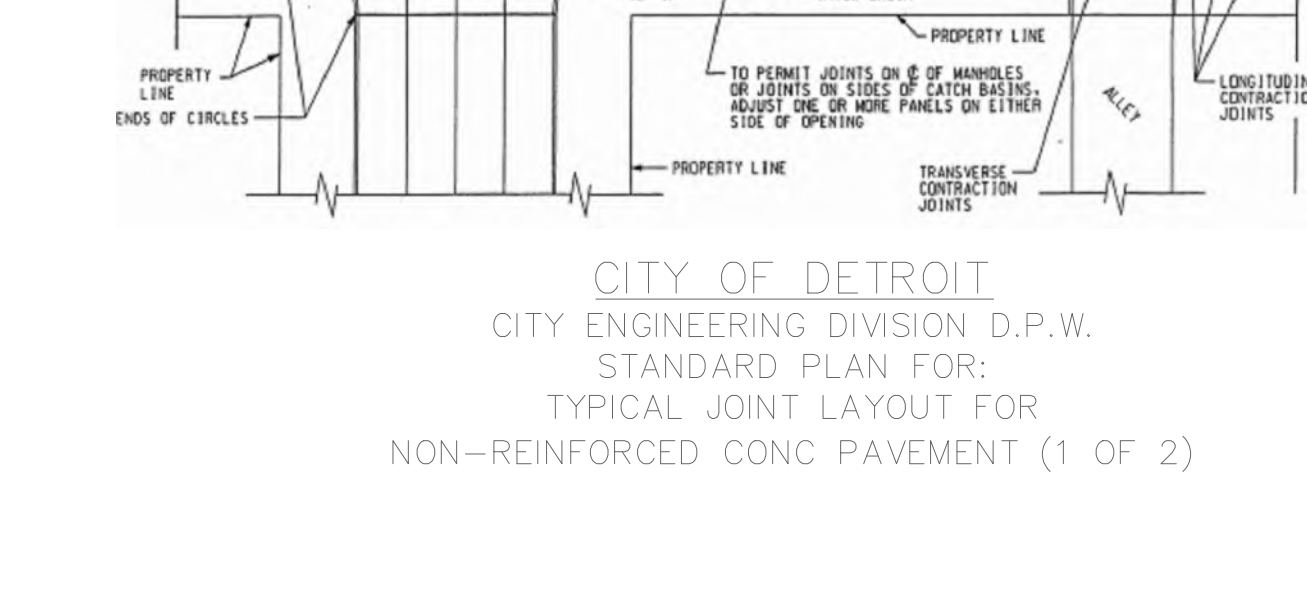
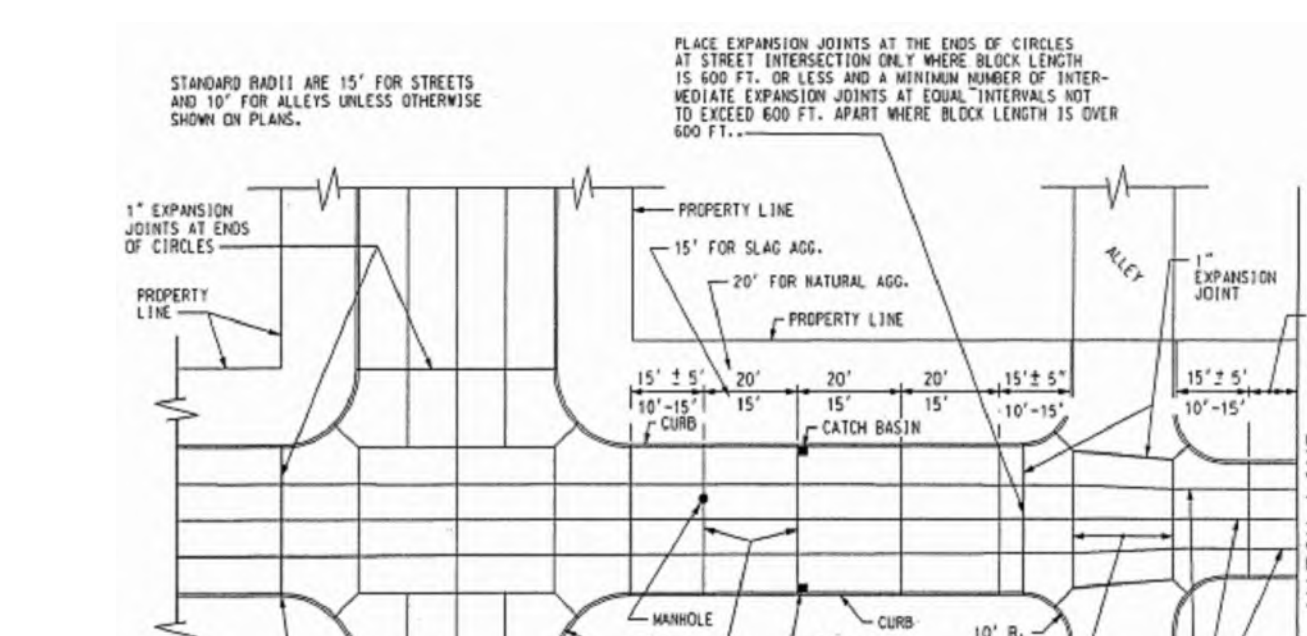
HMA SURFACE ON CONCRETE BASE UTILITY TRENCH CONSTRUCTION PAVEMENT RESTORATION		CITY OF DETROIT CITY ENGINEERING DIVISION SURVEY BUREAU	
DRAWN BY: WLW CHECKED BY: KSM DATE: 08/29/18 APPROVED BY: SKB	JOB NO. DRAWING NO. 1 OF 2	DRAWN BY: WLW CHECKED BY: KSM DATE: 08/29/18 APPROVED BY: SKB	JOB NO. DRAWING NO. 2 OF 2



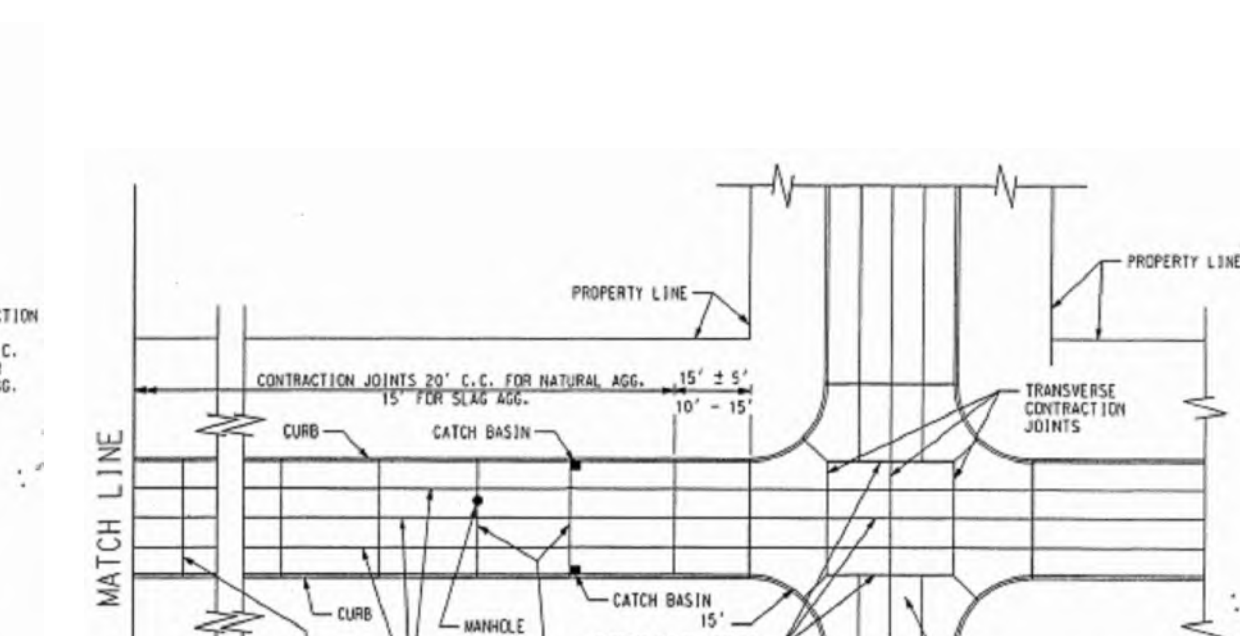
CITY OF DETROIT
CITY ENGINEERING DIVISION D.P.W.
STANDARD PLAN FOR:
REINFORCED CONCRETE
PAVEMENT JOINTS (1 OF 2)



CITY OF DETROIT
CITY ENGINEERING DIVISION D.P.W.
STANDARD PLAN FOR:
REINFORCED CONCRETE
PAVEMENT JOINTS (2 OF 2)



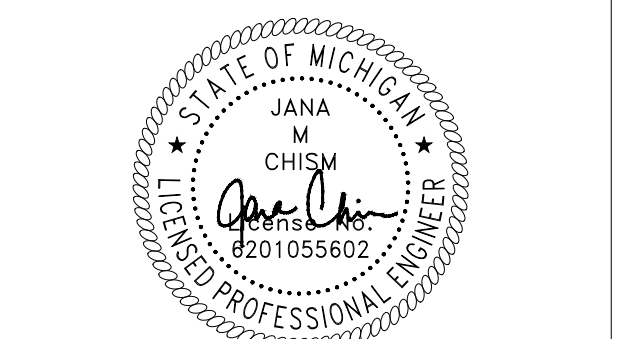
CITY OF DETROIT
CITY ENGINEERING DIVISION D.P.W.
STANDARD PLAN FOR:
TYPICAL JOINT LAYOUT FOR
NON-REINFORCED CONC PAVEMENT (1 OF 2)



CITY OF DETROIT
CITY ENGINEERING DIVISION D.P.W.
STANDARD PLAN FOR:
TYPICAL JOINT LAYOUT FOR
NON-REINFORCED CONC PAVEMENT (2 OF 2)

ike SMART CITY
250 N HARTFORD AVE
COLUMBUS, OHIO 43222
PHONE: 614.589.0087

MES METRO ENGINEERING SOLUTIONS
22300 Haggerty Rd, Northville, MI 48167



January 13, 2026
CONTRACTOR/AS-BUILT

ISSUED FOR:	EXISTING ELEVATIONS SHOWN SIDEWALK JOINTING DETAILS ADDED
DATE:	01/13/26
REV:	01

SITE NAME:
**DET-060
W LAFAYETTE BLVD
& CASS AVE**

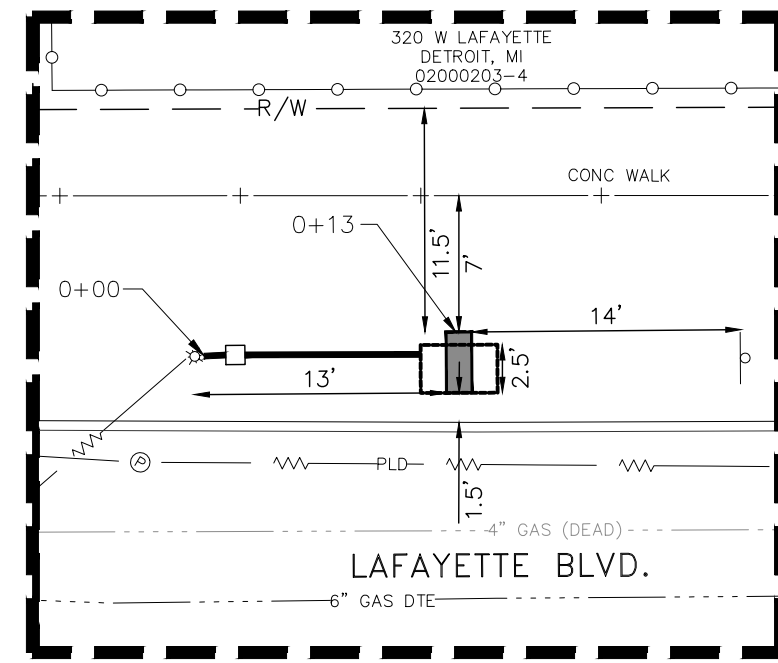
JOB:	1035-25-2749_DS
DRAW DATE:	01/13/26
PLOT DATE:	01/13/26
DRAWN BY:	RLS
TITLE:	DETROIT SPECS
SHEET:	02 OF 11



CONSTRUCTION SITE SAFETY IS THE RESPONSIBILITY OF THE CONTRACTOR. NEITHER THE OWNER NOR THE ENGINEER SHALL BE EXPECTED TO ASSUME ANY RESPONSIBILITY FOR SAFETY OF THE WORK, OF PERSONS ENGAGED IN THE WORK, OF ANY NEARBY STRUCTURES, OR OF ANY OTHER PERSONS.
COPYRIGHT © 2026 METRO ENGINEERING SOLUTIONS; ALL RIGHTS RESERVED.

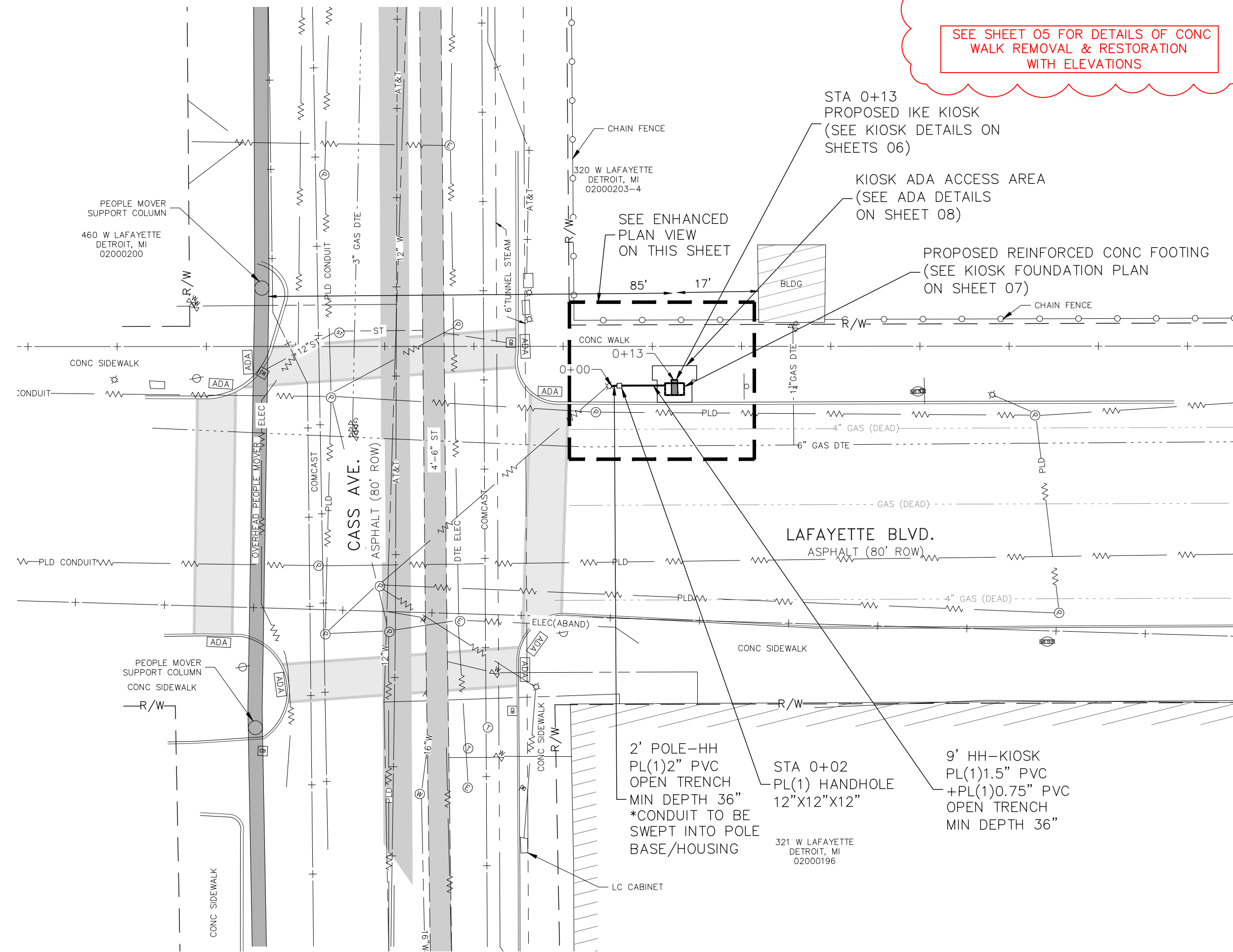
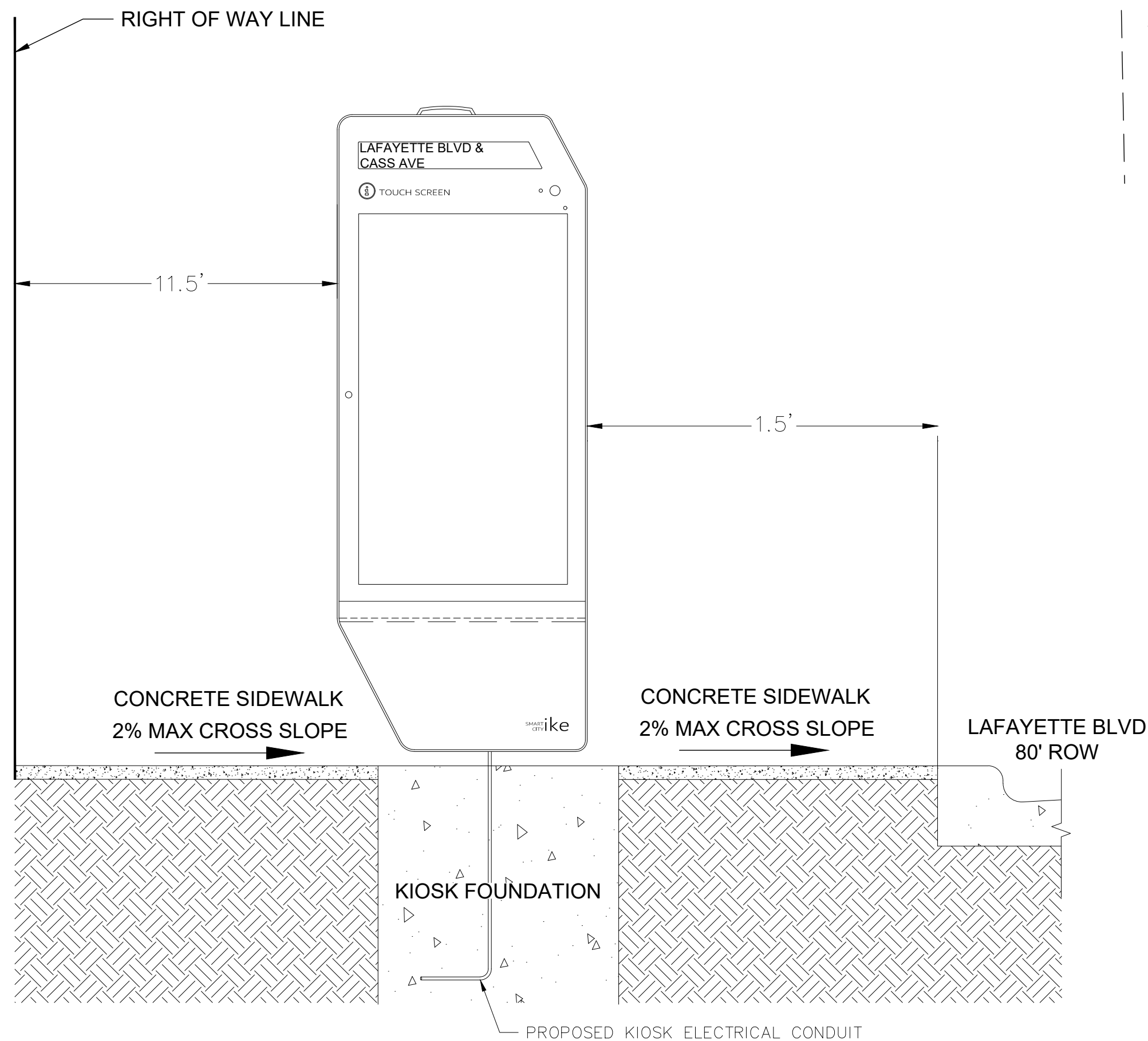
THE LOCATIONS OF EXISTING UNDERGROUND UTILITIES ARE SHOWN IN AN APPROXIMATE WAY ONLY AND HAVE NOT BEEN INDEPENDENTLY VERIFIED. THE CONTRACTOR SHALL DETERMINE THE EXACT LOCATION OF ALL EXISTING UTILITIES BEFORE COMMENCING WORK, AND AGREES TO BE FULLY RESPONSIBLE FOR ANY AND ALL DAMAGES WHICH MIGHT BE OCCASIONED BY THE CONTRACTOR'S FAILURE TO EXACTLY LOCATE AND PRESERVE ANY AND ALL UNDERGROUND UTILITIES.

K:\1035 - Non DTE - Designs\1035-IKE\Detroit Market\1035-25-2749_Lafayette Blvd & Cass Ave (DET-060)\DWG\1035-25-2749_DS.dwg; 1/13/2026 3:33 PM;



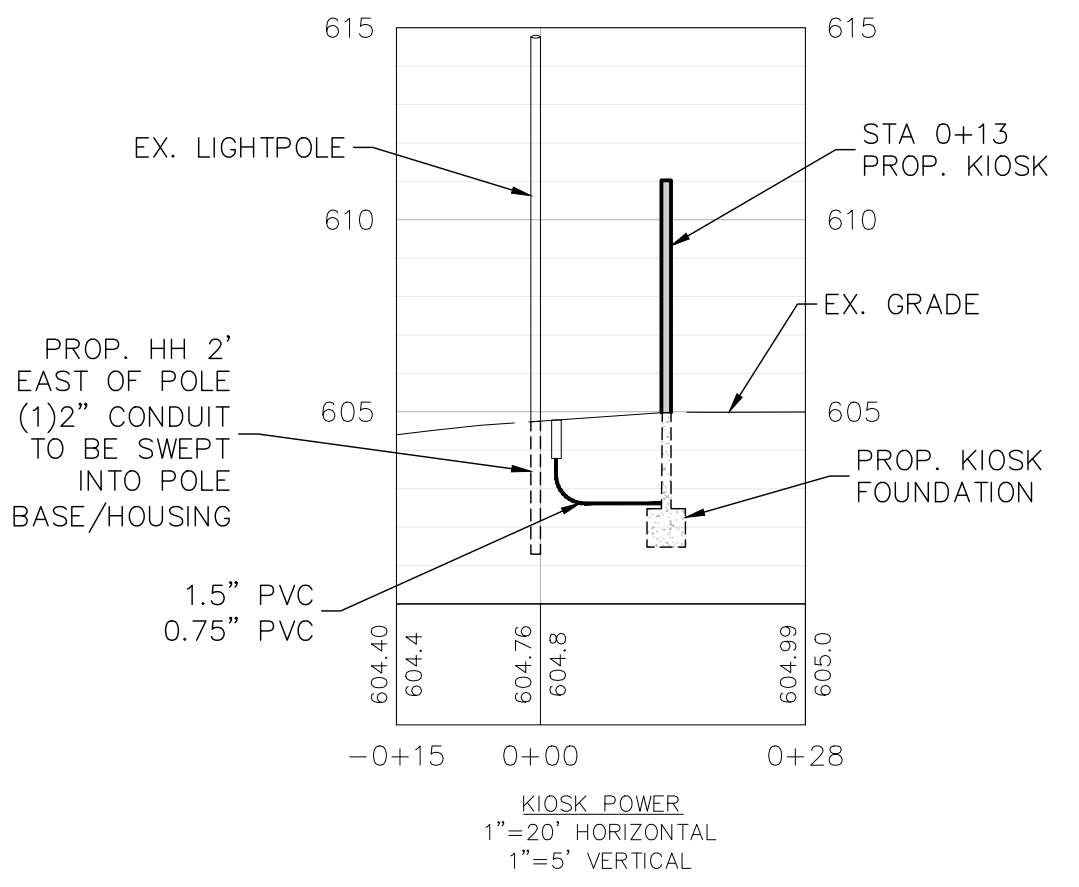
ENHANCED PLAN VIEW
SCALE 1"=10'

**KIOSK ORIENTATION PLAN
(NOT TO SCALE)**



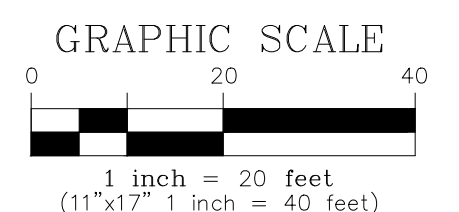
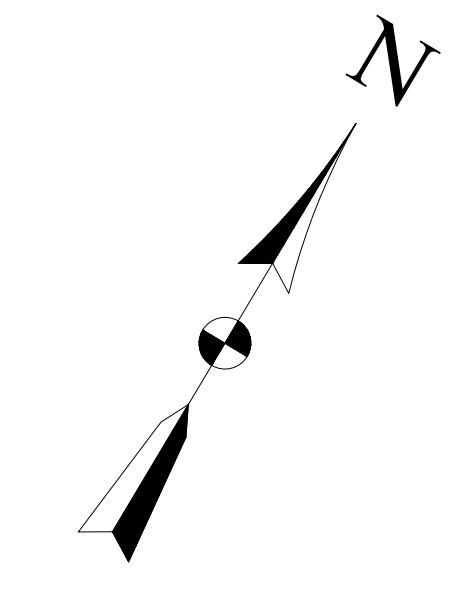
PLAN VIEW
SCALE 1"=20'

SEE SHEET 05 FOR DETAILS OF CONC WALK REMOVAL & RESTORATION WITH ELEVATIONS



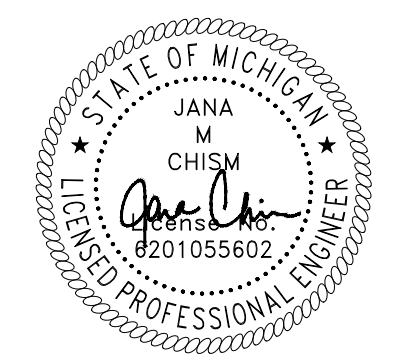
LEGEND

X 656.5	EX. SPOT ELEVATION
---	EX. CONTOUR
---	EX. WETLAND LIMITS
---	EX. RIGHT OF WAY
---	EX. EASEMENT LINE
---	EX. DITCH
---	EX. CURB/PAVEMENT
---	RR TRACK
---	EX. FENCE
---	EX. GRAVEL
---	EX. GUARDRAIL
---	EX. TREELINE
---	EX. WATER MAIN
---	EX. WATER VALVE
---	EX. HYDRANT
---	EX. WATER MANHOLE
---	EX. WELL
---	EX. WATER METER
---	EX. STORM SEWER
---	EX. STORM INLET/CATCH BASIN
---	EX. ROUND STORM CATCH BASIN
---	EX. STORM MANHOLE
---	EX. STORM END SECTION
---	EX. SANITARY SEWER
---	EX. SANITARY MANHOLE
---	EX. UNDERGROUND GAS
---	EX. GAS VALVE
---	EX. OVERHEAD ELECTRIC
---	EX. UNDERGROUND ELECTRIC
---	EX. UNDERGROUND CABLE
---	EX. UNDERGROUND TELE
---	EX. TELEPHONE MANHOLE
---	EX. ELECTRIC MANHOLE
---	EX. ELECTRIC METER
---	EX. GAS METER
---	EX. LIGHT POLE
---	EX. TRAFFIC SIGNAL BOX
---	EX. UNIDENTIFIED MANHOLE
---	EX. COMBO MANHOLE
---	EX. TRAFFIC SIGNAL POLE
---	EX. UTILITY POLE
---	EX. GUY WIRE
---	EX. TREE (CONIFEROUS)
---	EX. TREE (DECIDUOUS)
---	EX. UTILITY CABINET
---	EX. SIGN
---	EX. MAILBOX
---	FOUND IRON PIPE
---	FOUND IRON ROD
---	FOUND PK NAIL
---	FOUND CONC. MONUMENT
---	SET IRON ROD
---	SET WAG NAIL
---	EX. SECTION CORNER
---	PROP IRON UNDG INSTALL
---	PROP IKE KIOSK & FOUNDATION



ike SMART CITY
250 N HARTFORD AVE
COLUMBUS, OHIO 43222
PHONE: 614.589.0087

MES METRO ENGINEERING SOLUTIONS
22300 Haggerty Rd, Northville, MI 48167



January 13, 2026
CONTRACTOR/AS-BUILT

ISSUED FOR:	EXISTING ELEVATIONS SHOWN
DATE:	01/13/26
REV:	01
	SIDEWALK JOINTING DETAILS ADDED

SITE NAME:
**DET-060
W LAFAYETTE BLVD
& CASS AVE**

JOB: 1035-25-2749_DS
DRAW DATE: 01/13/26
PLOT DATE: 01/13/26
DRAWN BY: RLS

TITLE: PLAN VIEW
SHEET: 04 OF 11

CONSTRUCTION SITE SAFETY IS THE RESPONSIBILITY OF THE CONTRACTOR. NEITHER THE OWNER NOR THE ENGINEER SHALL BE EXPECTED TO ASSUME ANY RESPONSIBILITY FOR SAFETY OF THE WORK, OF PERSONS ENGAGED IN THE WORK, OF ANY NEARBY STRUCTURES, OR OF ANY OTHER PERSONS.
COPYRIGHT © 2026 METRO ENGINEERING SOLUTIONS; ALL RIGHTS RESERVED.

THE LOCATIONS OF EXISTING UNDERGROUND UTILITIES ARE SHOWN IN AN APPROXIMATE WAY ONLY AND HAVE NOT BEEN INDEPENDENTLY VERIFIED. THE CONTRACTOR SHALL DETERMINE THE EXACT LOCATION OF ALL EXISTING UTILITIES BEFORE COMMENCING WORK, AND AGREES TO BE FULLY RESPONSIBLE FOR ANY AND ALL DAMAGES WHICH MIGHT BE OCCASIONED BY THE CONTRACTOR'S FAILURE TO EXACTLY LOCATE AND PRESERVE ANY AND ALL UNDERGROUND UTILITIES.



K:\1035 - Non DTE - Designs\1035-IKE\Detroit Market\1035-25-2749_Lafayette Blvd & Cass Ave (DET-060)\DWG\1035-25-2749_DS.dwg; 1/13/2026 3:33 PM;


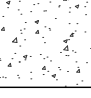

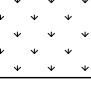


January 13, 2026

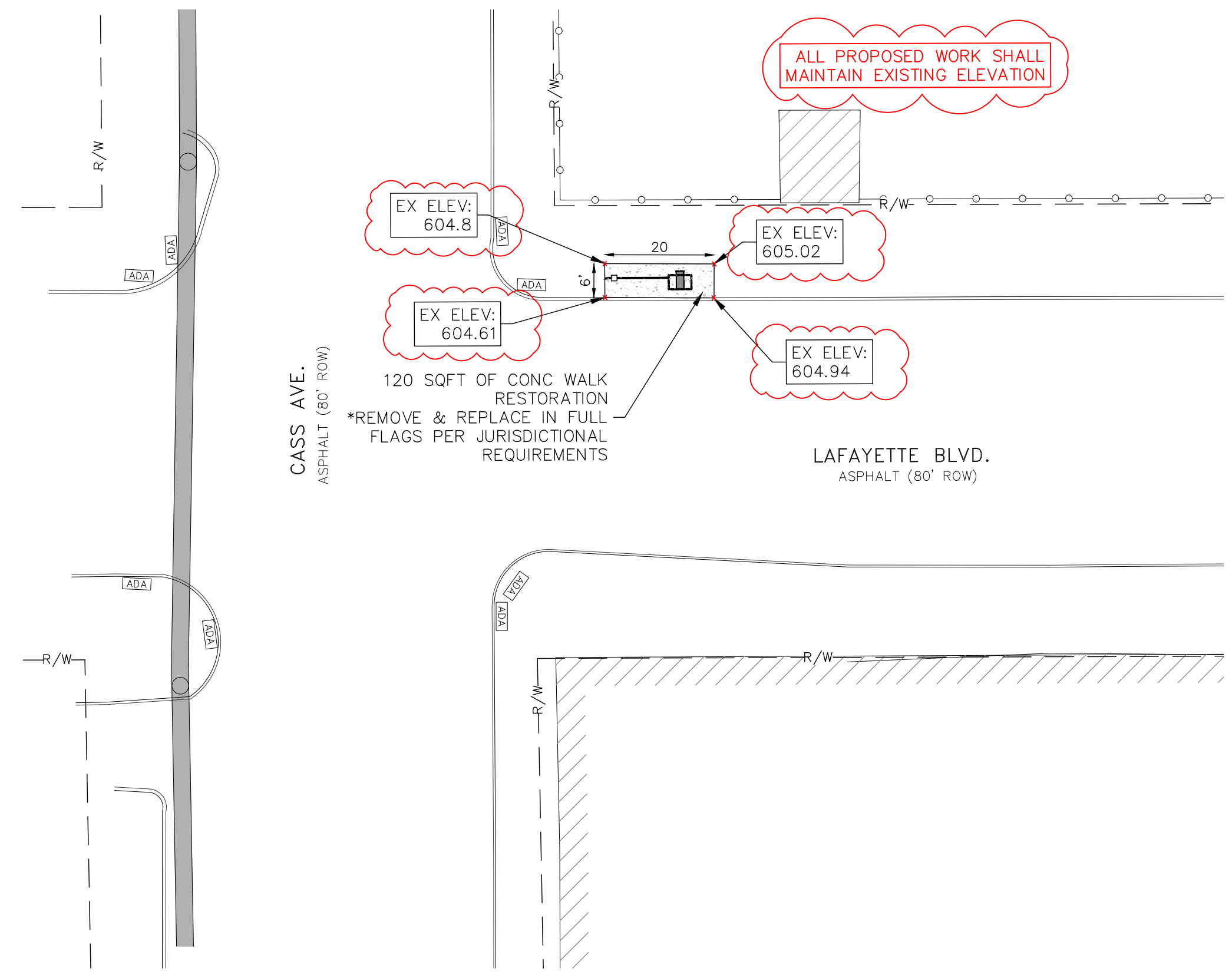
CONTRACTOR/AS-BUILT

SIDEWALKS AND ENTRANCES TO BUILDINGS, REAL PROPERTY, AND THE LIKE SHALL NOT BE BLOCKED EXCEPT FOR SHORT DURATIONS (LESS THAN 10 MINUTES AT A TIME), ONLY IN COORDINATION WITH PROPERTY OWNERS / RESIDENTS. PEDESTRIAN ACCESS SHALL BE MAINTAINED AT ALL TIMES TO EACH PROPERTY. IT IS THE RESPONSIBILITY OF THE CONTRACTOR TO COORDINATE ALL NECESSARY SIDEWALK CLOSURES AT LEAST 24 HOURS IN ADVANCE WITH THE PROPERTY OWNERS / RESIDENT IN THE AFFECTED AREAS OF CONSTRUCTION.

RESTORATION LEGEND & SUMMARY

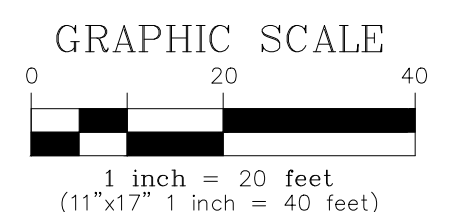
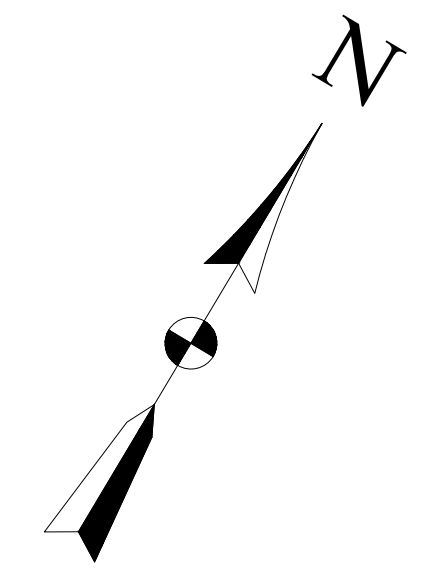
-  CONCRETE SUB GRADE TO NEAREST JOINT
SAW CUT & REMOVE: 000 SQ FT
-  CONCRETE SIDEWALK REMOVE & REPLACE: 120 SQ FT
-  ASPHALT STREET SAW CUT & RESTORATION: 000 SQ FT
-  SOD RESTORATION: 000 SQ FT
-  CURB & GUTER RESTORATION: 000 LF FT

- RESTORATION NOTES:**
1. RESTORE PAVEMENT MARKINGS AS REQUIRED
 2. RESTORE IN QUANTITIES SUFFICIENT TO ADHERE
 3. TO CITY OF DETROIT PAVEMENT SPECIFICATIONS.



RESTORATION PLAN VIEW

SCALE 1"=20'



CONSTRUCTION SITE SAFETY IS THE RESPONSIBILITY OF THE CONTRACTOR. NEITHER THE OWNER NOR THE ENGINEER SHALL BE EXPECTED TO ASSUME ANY RESPONSIBILITY FOR SAFETY OF THE WORK, OF PERSONS ENGAGED IN THE WORK, OF ANY NEARBY STRUCTURES, OR OF ANY OTHER PERSONS.
 COPYRIGHT © 2026 METRO ENGINEERING SOLUTIONS; ALL RIGHTS RESERVED.

THE LOCATIONS OF EXISTING UNDERGROUND UTILITIES ARE SHOWN IN AN APPROXIMATE WAY ONLY AND HAVE NOT BEEN INDEPENDENTLY VERIFIED. THE CONTRACTOR SHALL DETERMINE THE EXACT LOCATION OF ALL EXISTING UTILITIES BEFORE COMMENCING WORK, AND AGREES TO BE FULLY RESPONSIBLE FOR ANY AND ALL DAMAGES WHICH MIGHT BE OCCASIONED BY THE CONTRACTOR'S FAILURE TO EXACTLY LOCATE AND PRESERVE ANY AND ALL UNDERGROUND UTILITIES.



ISSUED FOR:	DATE:	REV:	EXISTING ELEVATIONS SHOWN	SIDEWALK JOINTING DETAILS ADDED
	01/13/26	01		

SITE NAME:
 DET-060
 W LAFAYETTE BLVD
 & CASS AVE

JOB: 1035-25-2749_DS

DRAW DATE: 01/13/26

PLOT DATE: 01/13/26

DRAWN BY: RLS

TITLE: RESTORATION

SHEET: 05 OF 11

GENERAL STRUCTURAL NOTES

- All work shall be performed in accordance with the contract documents. In case of a conflict within the contract documents, the more stringent condition shall govern, unless directed otherwise by the engineer of record. Prior to implementation, any discrepancies shall be reported to the architect for clarification.
- In the event that certain details of construction are not indicated or noted in the drawings, details for similar conditions that are indicated or noted shall be utilized, subject to the structural engineer's approval.
- Openings and penetrations through structural elements, and items embedded in structural elements that are not indicated in the structural drawings shall be reviewed by the structural engineer prior to fabrication, erection and/or construction.
- The structure has been designed for the in-service loads only. The methods, procedures and sequences of construction are the responsibility of the contractor. Contractor shall take all necessary precautions to maintain and ensure the integrity of the structure at all stages of construction. Contractor shall immediately notify the structural engineer of any condition which, in his opinion, might endanger the stability of the structure or cause distress in the structure.
- All existing conditions and all related dimensions indicated in the contract documents shall be field verified prior to fabrication, erection and/or construction. Any condition that differs from that indicated in the contract documents shall be submitted to the architect for review prior to fabrication, erection and/or construction.
- The structure has been designed to meet or exceed serviceability requirements of section 1604.3 of the International Building Code. All non-structural components & their connections that are anchored to the structure shall be designed to allow for the movement of the structure caused by wind, snow, live, thermal, shrinkage/creep and earthquake loads. Non-structural components include items such as non-load bearing walls, MEP components, bulkheads, etc.
- Provide special inspection in accordance with chapter 17 of the International Building Code and with project specifications.
- Unless noted otherwise, all loads specified in these documents are nominal loads and are to be entered into the appropriate strength or allowable stress design load combinations with appropriate factors, as defined by ASCE 7, by the building component engineer in the design of their product. Gravity load shear beam reactions on plan for steel framing represent the combined service load effect from allowable stress design load combinations.

GENERAL FOUNDATION AND CONCRETE NOTES

- A registered geotechnical engineer shall be retained to confirm that the soils at the site are capable of the design soil bearing pressure. This will require a report by the geotechnical engineer. (Quantity, depth, and location of soil borings shall be at the discretion of the geotechnical engineer) The contractor shall implement all requirements and recommendations stated in this report.
- It is strongly recommended that the geotechnical engineer of record that produces the report be retained to provide the soils testing and inspections during construction.
- Fill material shall be thoroughly compacted prior to placement of concrete. Fill under all slabs on grade shall be as recommended in the geotechnical report. If there is no geotechnical report, a minimum of 6" of well draining granular material shall be placed under all slabs on grade (UNO elsewhere in the construction documents).
- Coordinate finish of all foundation work, including slabs on grade, with architectural and flooring supplier's requirements.
- Cover for reinforcing shall be in accordance with ACI-318.
- All exposed edges of concrete piers, beams, and walls shall be chamfered 3/4" x 45 degrees. UNO
- Coordinate placement of KIOSK anchor rods with foundation reinforcing. All column anchor rods shall be installed using templates and setting drawings. No tilted or misplaced bolts will be accepted. Notify Architect/Engineer for approval of any corrective action. Tolerances for the installation of the anchor bolts shall be in accordance with AISC "Code of Standard Practice" guidelines.
- Anchors for embedded plates shall be as shown on the drawings. Headed studs shall conform to ASTM A108 and AWS D1.1 Grade B. Reinforcing bars to be welded to plates shall be ASTM A615 Grade 40 or ASTM A706 Grade 60.
- Refer to "General Structural Notes" for information regarding special inspections and installation of post installed anchors.

CONCRETE NOTES

- All concrete shall be done in accordance with ACI 117, 211, 301, 302, 315, 347 and 318 requirements, and as stated on contract documents.
- Coordinate finish of exposed concrete with Architect.
- Testing of concrete shall be provided for each KIOSK foundation and pier installed, and shall include but is not limited to slump, air content concrete temperature, unit weight, and compressive strength. All testing shall follow ASTM standards.
- Admixtures shall contain no more than 0.1 percent water-soluble chloride ions by mass of cementitious material. Do not use admixtures containing calcium chloride.
 - Water-Reducing Admixture: ASTM C494, Type A
 - High-Range, Water-Reducing Admixture: ASTM C494, Type F
 - Water-Reducing and Accelerating Admixture: ASTM C494, Type E
 - Water-Reducing and Retarding Admixture: ASTM C494, Type D
 - Air-Entraining Admixture: ASTM C250
- Repair and patch defective areas as directed by Architect.

ENGINEERING DATA

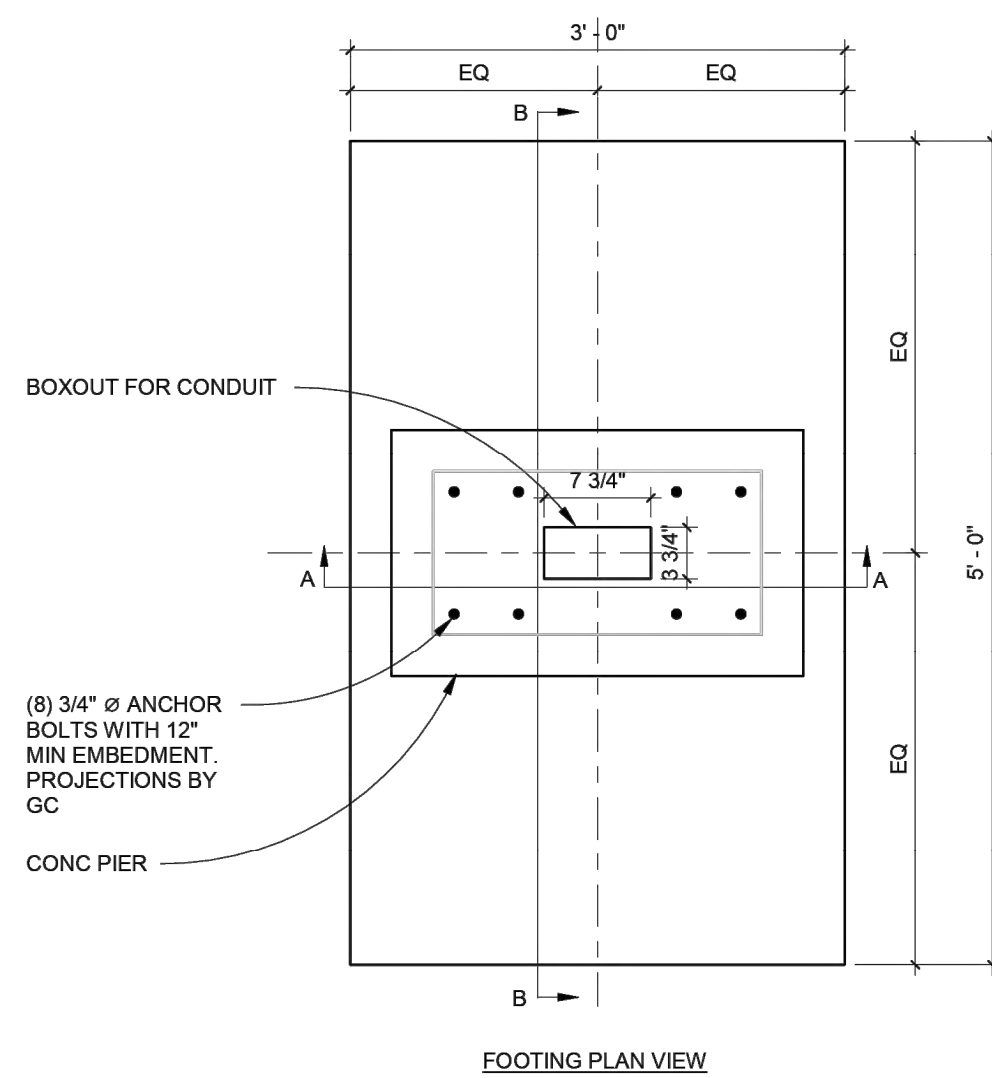
Design soil bearing pressure	1000 psf (assumed)
Design stresses	
Concrete	
Footings and Foundations	$f'_c = 3500$ psi
Grade slabs	$f'_c = 3500$ psi
Reinforcing steel	$F_y = 60000$ psi
Structural design requirements	
Risk Category	I
Wind Load	
Ultimate design wind speed (3 sec)	120 mph
Wind exposure category	C
Signage pressure coeff (GCf)	1.35
Components & cladding (varies)	
Signage design pressure	27 psf
Seismin Design Category	A or B (assumed)

Specific Design Loads

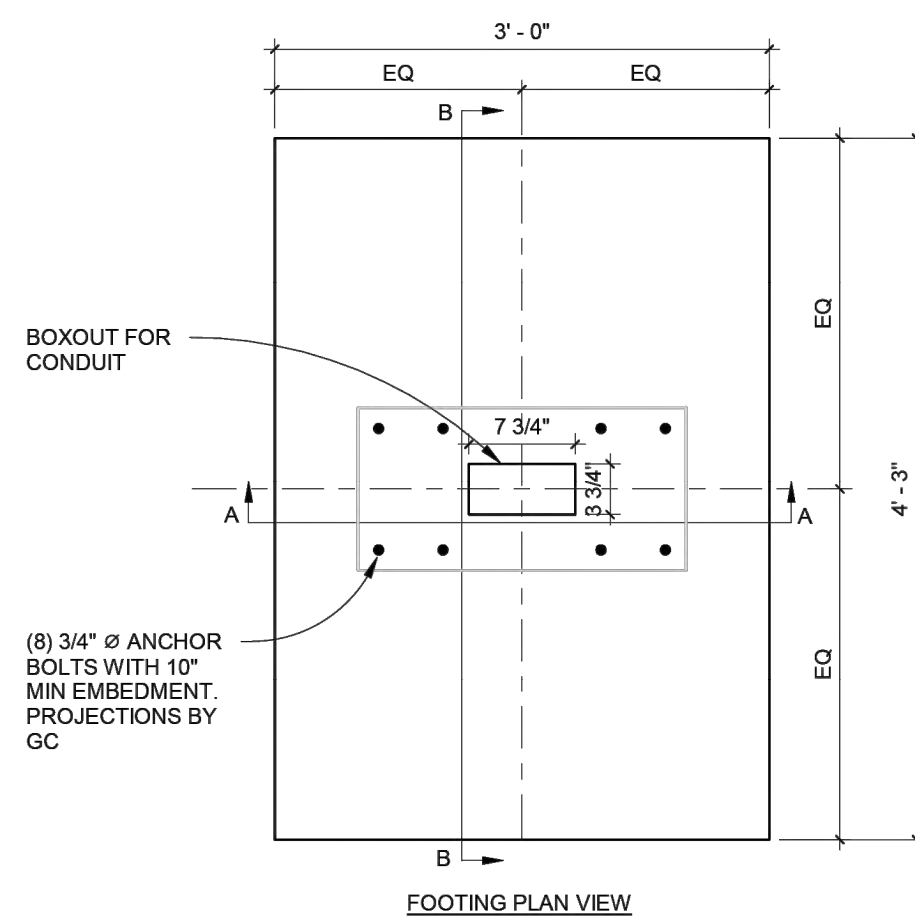
Kiosk dead load	800 lb
-----------------	--------

Design codes

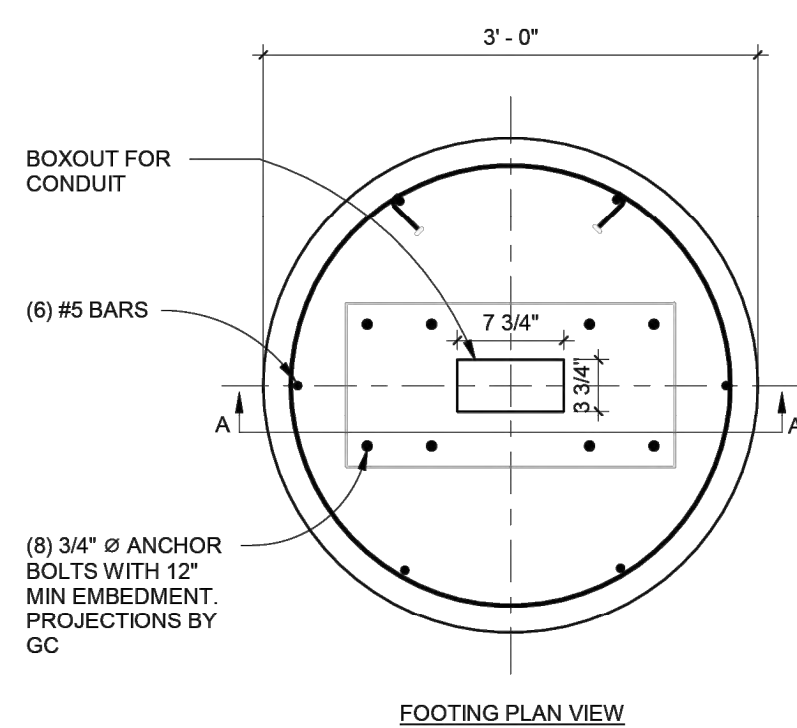
General building code	IBC 2015
Concrete	ACI 318



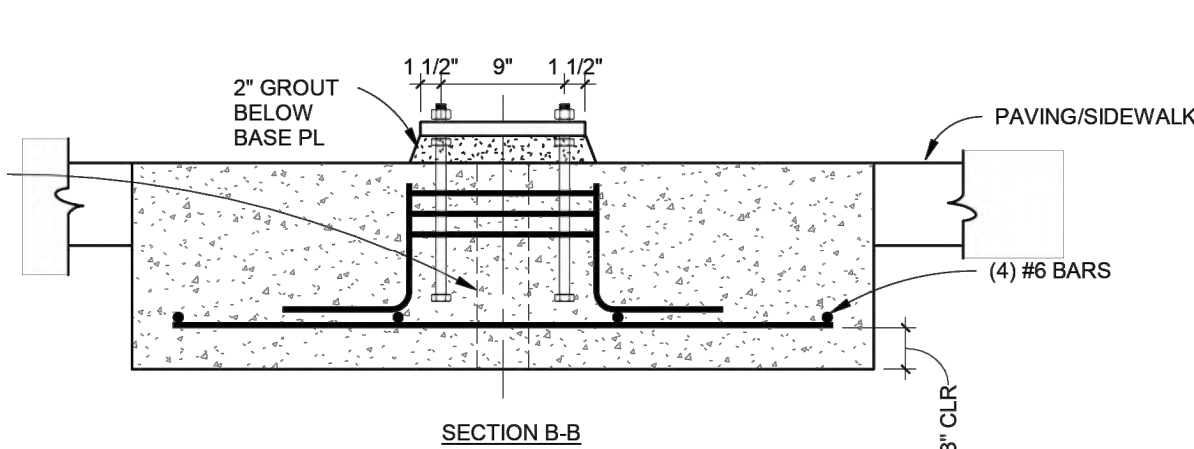
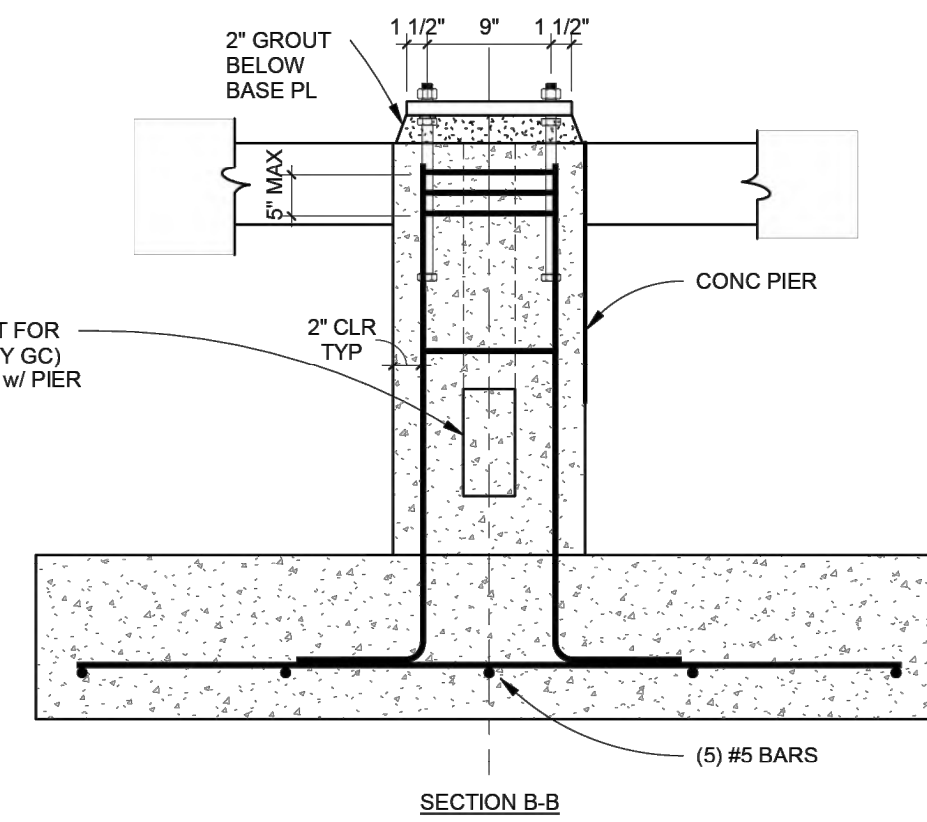
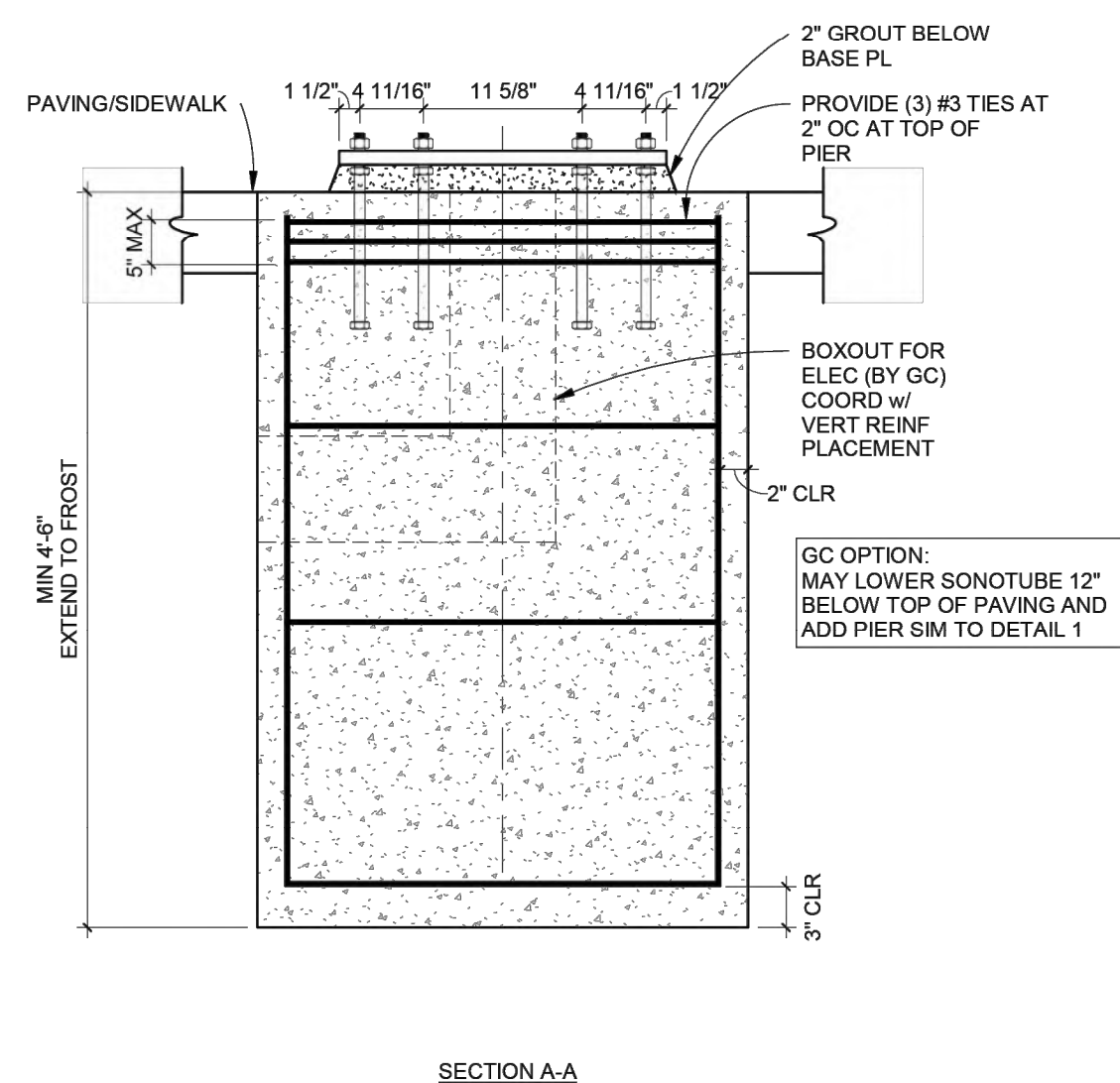
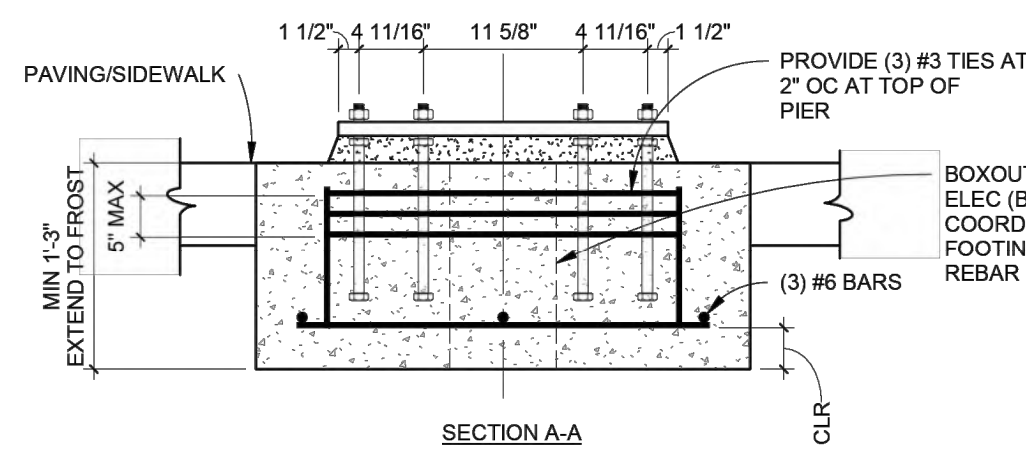
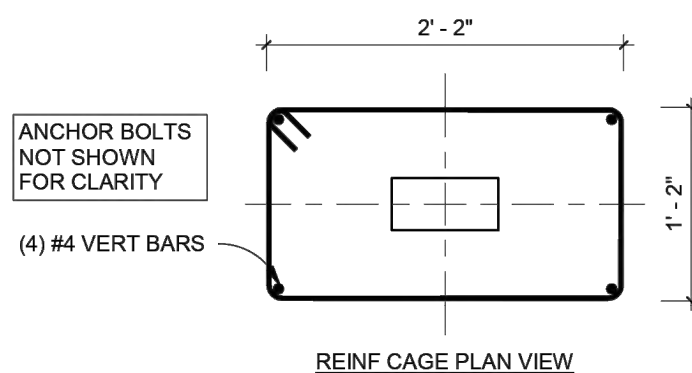
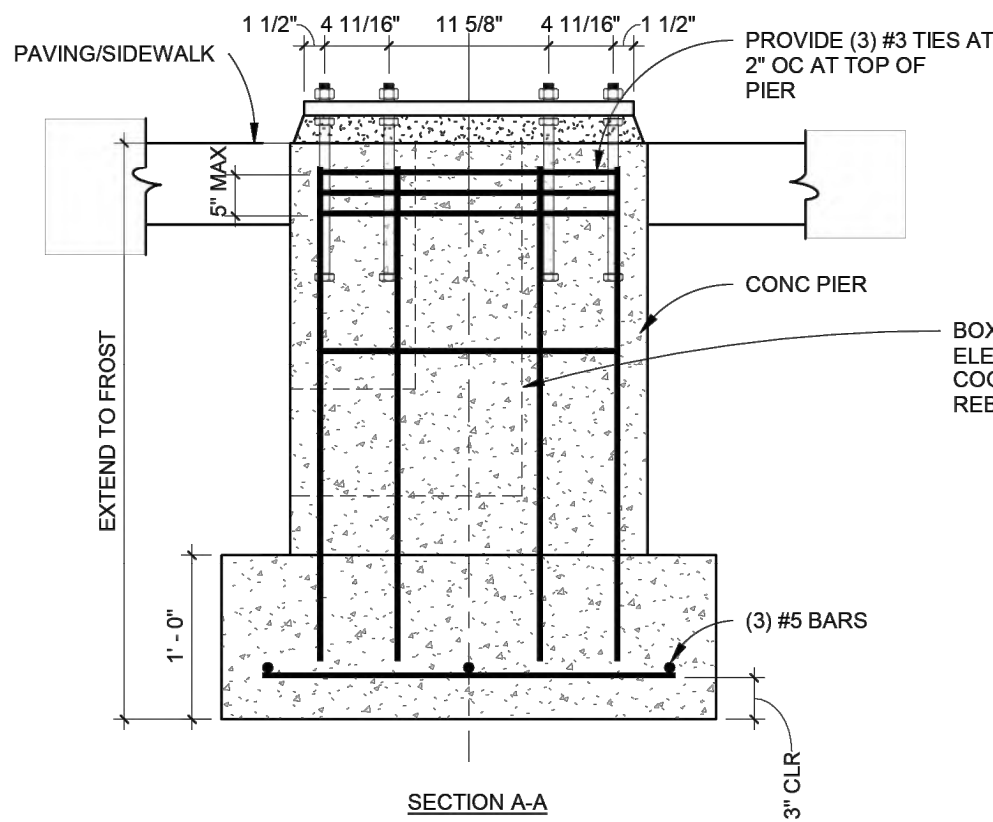
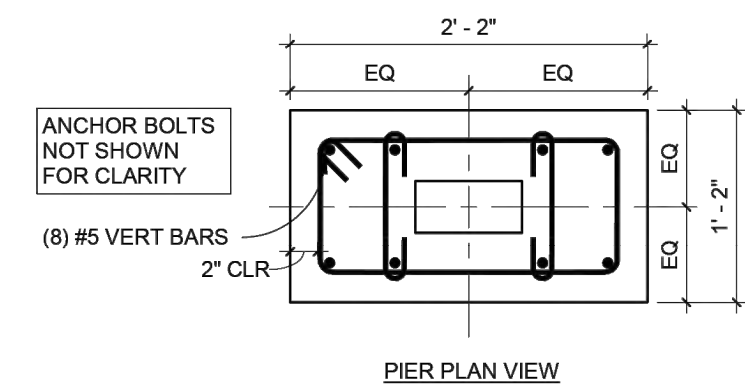
OPTION 1 SPREAD FOOTING WITH PIER
SCALE: 1" = 1'-0"



OPTION 2 SHALLOW SPREAD FOOTING
SCALE: 1" = 1'-0"

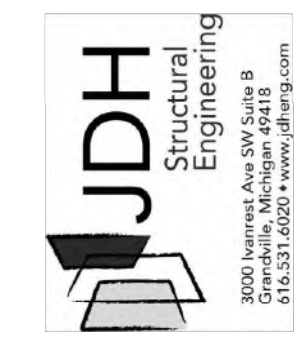


OPTION 3 SONOTUBE
SCALE: 1" = 1'-0"



GC OPTION: MAY LOWER FOOTING 12" BELOW TOP OF PAVING AND ADD PIER SIM TO DETAIL 1

GC OPTION: MAY LOWER SONOTUBE 12" BELOW TOP OF PAVING AND ADD PIER SIM TO DETAIL 1



IKE SmartCity Kiosks

KIOSK FOUNDATION OPTIONS

ISSUED FOR CONSTRUCTION	
DATE	04.18.2022
DRAWN BY:	MF

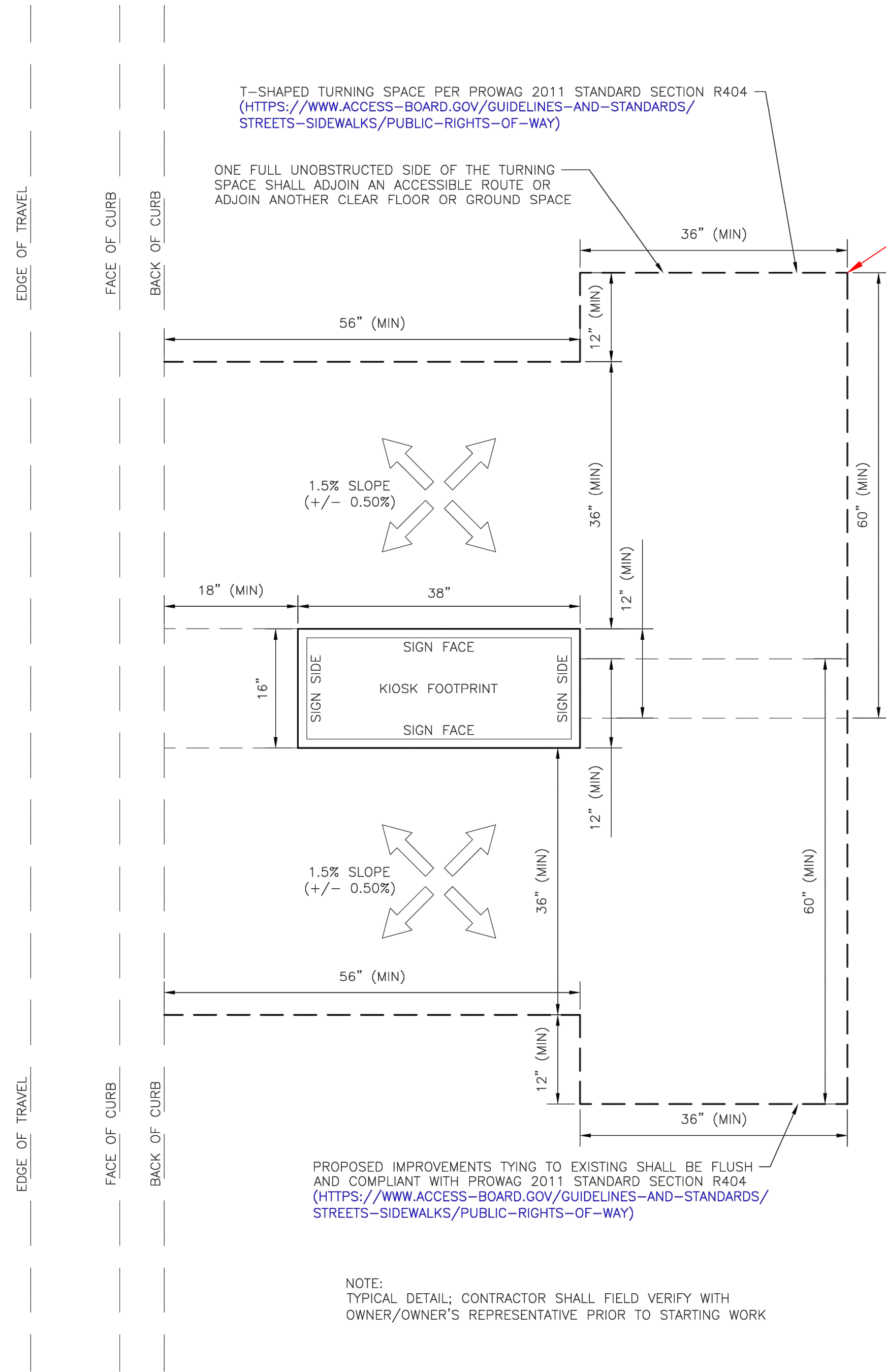
PROJECT NUMBER:
2022-03-015

SHEET NUMBER:

S101

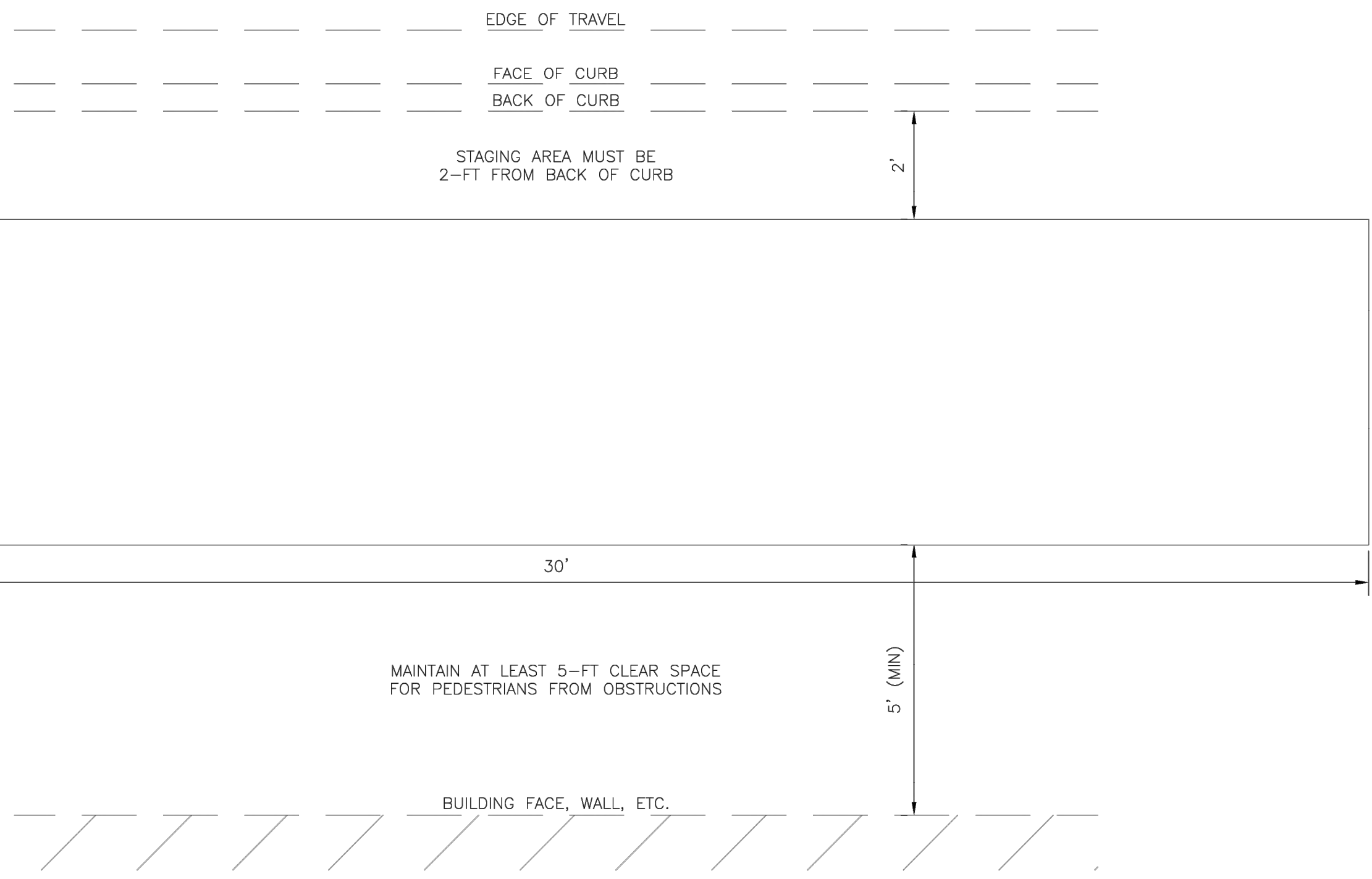
K:\1035 - Non DTE - Designs\1035-IKE\Detroit Market\1035-25-2749_Lafayette Blvd & Cass Ave (DET-060)\DWG\1035-25-2749_DS.dwg; 1/13/2026 3:33 PM;

ADA ACCESS AREA



1 T-SHAPED TURNAROUND SPACE
SCALE: 1"=1'

ADA ACCESS AREA SHOWN FOR REFERENCE ONLY. LINES DEPICTED INDICATES CLEAR MINIMUM WIDTH AVAILABLE FOR ADA MOBILITY DEVICES; NO PHYSICAL ROUTES OR SURFACES TO BE CONSTRUCTED



2 CONSTRUCTION STAGING AREA
SCALE: 1"=2'

DETAILS ON THIS SHEET PROVIDED BY IKE SMART CITY

ike SMART CITY
250 N HARTFORD AVE
COLUMBUS, OHIO 43222
PHONE: 614.589.0087

MES METRO ENGINEERING SOLUTIONS
22300 Haggerty Rd, Northville, MI 48167



January 13, 2026
CONTRACTOR/AS-BUILT

ISSUED FOR:	DATE:	REV:
EXISTING ELEVATIONS SHOWN	01/13/26	01
SIDEWALK JOINTING DETAILS ADDED		

SITE NAME:
**DET-060
W LAFAYETTE BLVD
& CASS AVE**

JOB: 1035-25-2749_DS
DRAW DATE: 01/13/26
PLOT DATE: 01/13/26
DRAWN BY: RLS
TITLE: ADA SPEC
SHEET: 08 OF 11

CONSTRUCTION SITE SAFETY IS THE RESPONSIBILITY OF THE CONTRACTOR. NEITHER THE OWNER NOR THE ENGINEER SHALL BE EXPECTED TO ASSUME ANY RESPONSIBILITY FOR SAFETY OF THE WORK, OF PERSONS ENGAGED IN THE WORK, OF ANY NEARBY STRUCTURES, OR OF ANY OTHER PERSONS.
COPYRIGHT © 2026 METRO ENGINEERING SOLUTIONS; ALL RIGHTS RESERVED.

THE LOCATIONS OF EXISTING UNDERGROUND UTILITIES ARE SHOWN IN AN APPROXIMATE WAY ONLY AND HAVE NOT BEEN INDEPENDENTLY VERIFIED. THE CONTRACTOR SHALL DETERMINE THE EXACT LOCATION OF ALL EXISTING UTILITIES BEFORE COMMENCING WORK, AND AGREES TO BE FULLY RESPONSIBLE FOR ANY AND ALL DAMAGES WHICH MIGHT BE OCCASIONED BY THE CONTRACTOR'S FAILURE TO EXACTLY LOCATE AND PRESERVE ANY AND ALL UNDERGROUND UTILITIES.



K:\1035 - Non DTE - Designs\1035-IKE\Detroit Market\1035-25-2749-Lafayette Blvd & Cass Ave (DET-060)\DWG\1035-25-2749_DS.dwg; 1/13/2026 3:33 PM;

IKE CONSTRUCTION NOTES

1. THE SUBMISSION OF A BID BY THE CONTRACTOR IS NOTIFICATION THAT THE CONTRACTOR HAS TOTALLY FAMILIARIZED THEMSELVES WITH THE CONTRACT DOCUMENTS AND EXISTING SITE CONDITIONS AND HAS AGREED TO PROVIDE THE NECESSARY LABOR AND MATERIAL FOR THE COMPLETE INSTALLATION OF EACH SYSTEM IN A NEAT AND PROFESSIONAL MANNER IN ACCORDANCE WITH THE BEST PRACTICES OF THE INDUSTRY AND IN COMPLIANCE WITH ALL AUTHORITIES HAVING JURISDICTION.
2. THESE DRAWINGS ARE PRESENTED TO THE CONTRACTOR WITH THE UNDERSTANDING THAT THE CONTRACTOR IS AN EXPERT AND COMPETENT IN THE PREPARATION OF CONTRACT BID OF INFORMATION SUCH AS IS CONTAINED IN THESE DOCUMENTS. IT IS THE INTENT OF THE DRAWINGS AND SPECIFICATIONS TO CALL FOR FINISHED WORK, TESTED AND READY FOR OPERATION AND IN COMPLETE CONFORMANCE WITH APPLICABLE CODES, RULES, AND REGULATIONS. MINOR ITEMS NOT USUALLY SHOWN OR SPECIFIED, BUT MANIFESTLY NECESSARY FOR PROPER INSTALLATION AND OPERATION OF THE VARIOUS SYSTEMS SHALL BE INCLUDED IN THE WORK AND IN THE PROPOSAL THE SAME AS IF SPECIFIED OR SHOWN ON THE DRAWINGS. IF ANY DEPARTURES FROM THE DRAWINGS ARE DEEMED NECESSARY, DETAILS OF SUCH DEPARTURES AND THE REASONS THEREFORE SHALL BE SUBMITTED TO THE OWNER FOR APPROVAL. NO DEPARTURES SHALL BE MADE WITHOUT PRIOR APPROVAL.
3. THE CONTRACTOR SHALL VISIT THE SITE AND VERIFY ALL DIMENSIONS IN THE FIELD, AND SHALL ADVISE THE OWNER OF ANY DISCREPANCIES BEFORE PERFORMING THE WORK.
4. THE DRAWINGS INDICATE ARRANGEMENTS AND APPROXIMATE SIZES AND RELATIVE LOCATIONS OF PRINCIPAL APPARATUS, EQUIPMENT, DEVICES, AND SERVICES TO BE PROVIDED. DRAWINGS ARE DIAGRAMMATIC AND ARE A GRAPHIC REPRESENTATION OF CONTRACT REQUIREMENTS BASED ON THE INFORMATION PROVIDED BY THE MANUFACTURER IDENTIFIED IN THE EQUIPMENT SCHEDULE AT THE SCALE INDICATED.
5. LAYOUT OF EQUIPMENT INDICATED ON THE DRAWINGS SHALL BE CHECKED AND COMPARED AGAINST ALL DRAWINGS AND SPECIFICATIONS OF ALL TRADES AND EXACT LOCATIONS DETERMINED USING APPROVED SHOP DRAWINGS OF SUCH EQUIPMENT. WHERE PHYSICAL INTERFERENCES OCCUR, CONSULT WITH THE OWNER AND PREPARE DATED, DIMENSIONED DRAWINGS COORDINATED WITH ALL OTHER TRADES WORKING IN THIS AREA AND CORRECTING SUCH INTERFERENCE.
6. THE CONTRACTOR SHOULD SCHEDULE THEIR WORK IN ACCORDANCE WITH THE CONSTRUCTION SCHEDULE SO THAT ALL OF THEIR WORK CAN BE INSTALLED WITHOUT DELAYING THE PROJECT. ALL WORK RELATED TO SHUTDOWN OF EXISTING SERVICES SHALL BE PERFORMED AT THE HOURS DESIGNATED BY THE OWNER WITH ALL ASSOCIATED COSTS BORNE BY THE CONTRACTOR AT NO COST TO THE OWNER. PROVIDE ANY TEMPORARY FACILITIES REQUIRED TO PERMIT OWNER'S USE OF EXISTING FACILITIES AND SYSTEMS TO REMAIN UNDISTURBED. COORDINATE ALL WORK, INCLUDING ALL SHUTDOWNS THAT AFFECT SYSTEMS AND/OR PORTIONS OF THE BUILDING THAT MUST REMAIN IN OPERATION, WITH OWNER.
7. THE CONTRACTOR SHALL SECURE AND PAY ALL FEES, LICENSES, INSPECTIONS, AND PERMITS PERTAINING TO THE CONTRACT. SUBMIT TO OWNER DUPLICATE CERTIFICATES OF INSPECTION.
8. ALL EQUIPMENT SHALL BE INSTALLED IN STRICT COMPLIANCE WITH THE MANUFACTURER'S WRITTEN INSTRUCTIONS.
9. THE CONTRACTOR SHALL BE RESPONSIBLE FOR WORKMEN'S IDENTIFICATION AND BADGING, SAFETY AND FIRE PROTECTION, BARRICADES, WARNING SIGNS, TRASH REMOVAL, CUTTING AND PATCHING.
10. THE CONTRACTOR SHALL BE RESPONSIBLE FOR ALL RIGGING, HANDLING, AND PROTECTION OF MATERIALS. ALL EQUIPMENT AND MATERIALS SHALL BE NEW AND WITHOUT BLEMISH OR DEFECT. ALL EQUIPMENT INSTALLED SHALL BEAR THE LABEL OF AN APPROVED AGENCY.
11. THE CONTRACTOR SHALL PROVIDE LABOR TO RECEIVE, UNLOAD, STORE, PROTECT, AND TRANSFER TO POINT OF INSTALLATION FOR ALL FURNISHED ITEMS.
12. WHERE CONDUIT, CABLES, DUCTWORK, OR PIPING PASSES THROUGH FIRE RATED FLOORS OR WALLS, THE PENETRATION SHALL BE COMPLETELY SEALED WITH A FIRE STOP MATERIAL THAT IS UL LISTED AND ACCEPTED BY THE BUILDING DEPARTMENT AND FIRE DEPARTMENT AS BEING SUITABLE FOR THIS SERVICE. THIS MATERIAL SHALL BE INSTALLED IN ACCORDANCE WITH THE REQUIREMENTS OF THE MANUFACTURER TO MAINTAIN THE UL LISTED FIRE RATING OF THE PENETRATED WALL OR FLOOR.
13. THE CONTRACTOR SHALL BE RESPONSIBLE FOR ALL SLAB OPENINGS, WALL OPENINGS, BEAM PENETRATIONS, AND CORING AS IT RELATES TO THEIR WORK. THE CONTRACTOR SHALL SUBMIT SIZE AND LOCATION FOR REVIEW AND APPROVAL.
14. ALL EXTERIOR WALL OPENINGS SHALL BE SLEEVED, PROPERLY CAULKED, AND SEALED WITH A HIGH QUALITY SEALANT TO PREVENT INFILTRATION OF MOISTURE AND OUTSIDE AIR.
15. THE CONTRACTOR SHALL SUBMIT A SCHEDULE OF SUBMITTALS PRIOR TO SUBMITTING ANY SHOP DRAWINGS, ETC. TO BE SUBMITTED FOR THIS PROJECT, INCLUDING THE ANTICIPATED DATE OF EACH SUBMISSION. THE CONTRACTOR SHALL SUBMIT AN ELECTRONIC COPY OF THE COMPLETE SHOP DRAWINGS AND CATALOG CUTS, WIRING DIAGRAMS AND ASSOCIATED DATA TO THE OWNER FOR APPROVAL PRIOR TO PURCHASING EQUIPMENT OR STARTING ANY WORK. ANY WORK INSTALLED OR EQUIPMENT PURCHASED PRIOR TO RECEIPT OF OWNER APPROVED SHOP DRAWINGS THAT REQUIRES CHANGES SHALL BE REPLACED AT THE CONTRACTOR'S EXPENSE.
16. ALL WORK FURNISHED UNDER THE CONTRACT SHALL BE GUARANTEED AGAINST ANY AND ALL DEFECTS IN WORKMANSHIP AND/OR MATERIALS FOR A PERIOD OF NOT LESS THAN (1) YEAR FROM THE DATE OF FINAL ACCEPTANCE OF THE INSTALLATION, UNLESS NOTED OTHERWISE IN THE PROJECT SPECIFICATIONS, AND ANY DEFECTS OF WORKMANSHIP DEVELOPING DURING THIS PERIOD SHALL BE REMEDIATED AND ANY DEFECTIVE MATERIAL REPLACED WITHOUT ADDITIONAL COST TO THE OWNER.
17. INSTALLED SYSTEMS SHALL OPERATE UNDER ALL CONDITIONS OF LOAD WITHOUT SOUND OR VIBRATION THAT IS OBJECTIONABLE TO THE OWNER, OBJECTIONABLE SOUND OR VIBRATION CONDITIONS DUE TO WORKMANSHIP SHALL BE CORRECTED IN AN APPROVED MANNER BY THE CONTRACTOR AT THE CONTRACTOR'S EXPENSE.
18. THE CONTRACTOR SHALL NOTIFY OWNER OF COMPLETION OF ALL WORK, INDICATING THE CONTRACTOR IS READY FOR THE OWNER TO PERFORM THE FINAL PUNCH LIST INSPECTION.
19. UPON COMPLETION OF ALL UNFINISHED OR FAULTY WORK NOTED IN THE OWNER'S FINAL PUNCH LIST, THE CONTRACTOR SHALL SUBMIT TO THE OWNER IN WRITING A LETTER OF COMPLETION CERTIFYING THAT ALL PUNCH LIST ITEMS HAVE BEEN COMPLETED AND ALL AS-BUILTS, MANUALS, ETC. HAVE BEEN SUBMITTED.
20. SHOULD A CONTRACTOR REQUIRE REMOVAL, RELOCATION, OR REROUTING OF ANOTHER TRADE'S WORK THAT IS NOT INDICATED ON DRAWINGS, THE CONTRACTOR REQUIRING SUCH WORK SHALL BE RESPONSIBLE FOR THAT WORK, AND PAY ALL REQUIRED COSTS.
21. ALL WORK INVOLVING ALTERATIONS TO EXISTING SYSTEMS, EQUIPMENT, AND MATERIALS SHALL BE REVIEWED WITH THE OWNER BEFORE BEGINNING WORK.
22. DEFINITION: UNLESS OTHERWISE NOTED, ALL WORK SPECIFIED HEREIN OR NOTED ON DRAWINGS, SHALL BE BY THE CONTRACTOR. THE TERM "PROVIDE" WHENEVER ENCOUNTERED ON DRAWINGS OR IN THESE SPECIFICATIONS, SHALL MEAN "FURNISH AND INSTALL."
23. CODES AND STANDARDS: ALL MATERIALS AND WORKMANSHIP SHALL COMPLY WITH THE CURRENT EDITION OF THE NATIONAL ELECTRICAL CODE, ALL APPLICABLE CODES, SPECIFICATIONS, LOCAL ORDINANCES, INDUSTRY STANDARDS, UTILITY COMPANY REGULATIONS, AND FIRE INSURANCE CARRIER'S REQUIREMENTS.
24. MATERIALS: ALL MATERIALS FURNISHED BY THIS CONTRACTOR, SHALL BE NEW AND BEAR THE LABEL OR LISTING OF A NATIONALLY RECOGNIZED INDEPENDENT TESTING LABORATORY.
25. OUTLET AND SWITCH BOXES: PROVIDE AND INSTALL OUTLET BOXES OF PROPER TYPE AND SIZE AS REQUIRED AT ALL OUTLETS WHERE SHOWN. SECURED FIRMLY IN PLACE AND SET TRUE AND SQUARE AND FLUSH WITH THE FINISHED SURFACE.
26. WIRING: WIRES SHALL BE COPPER WITH XHHW OR OTHER XLP INSULATION RATED FOR THE LOCATIONS IN WHICH THEY ARE INSTALLED. ALL RACEWAYS ARE SHOWN DIAGRAMMATICALLY. EXACT LOCATION TO BE DETERMINED ON THE JOB. THE CONTRACTOR SHALL ARRANGE ALL NEW CIRCUITS IN PANELS SO AS TO BALANCE THE LOAD ON ALL PHASES.
27. A TYPED DIRECTORY CARD SHALL BE PROVIDED IN EACH PANEL WITH ADDED CIRCUITS TO INDICATE THE LOADS ACTUALLY SERVED.
28. GROUNDING: SHALL BE IN STRICT ACCORDANCE WITH THE NATIONAL ELECTRICAL CODE ARTICLE 250. PROVIDE GROUND WIRES AS REQUIRED AND RESIZE CONDUIT IF NECESSARY.
29. DEMONSTRATION OF COMPLETE ELECTRICAL SYSTEMS: UPON COMPLETION OF THE WORK THE CONTRACTOR SHALL OBTAIN A CERTIFICATE OF APPROVAL FROM THE RESPECTIVE INSPECTION AGENCIES. THE CONTRACTOR SHALL NOTIFY AND MAKE ALL THE NECESSARY ARRANGEMENTS WITH THE INSPECTING AGENCY AND LOCAL AUTHORITIES SO THAT INSPECTION MAY BE CARRIED OUT AT THE PROPER TIME.

IKE GENERAL NOTES

1. IT IS THE CONTRACTOR'S RESPONSIBILITY TO VERIFY ALL LOCATIONS, ELEVATIONS, AND DIMENSIONS OF ADJACENT AND/OR CONFLICTING UTILITIES SUFFICIENTLY IN ADVANCE OF CONSTRUCTION SO THAT ADJUSTMENTS CAN BE MADE TO PROVIDE ADEQUATE CLEARANCES. ANY DISCREPANCY FOUND SHALL BE BROUGHT TO THE OWNER AND ENGINEER BEFORE CONSTRUCTION HAS COMMENCED. THE CONTRACTOR SHALL PRESERVE AND PROTECT PUBLIC UTILITIES AT ALL TIMES DURING CONSTRUCTION. ANY DAMAGE TO UTILITIES RESULTING FROM CONTRACTOR'S OPERATIONS SHALL BE RESTORED AT THE CONTRACTOR'S EXPENSE.
2. ONCE THE FOUNDATION HAS BEEN LOCATED, THE CONTRACTOR SHALL RECEIVE SPOT-PAINT THE FOUR CORNERS OF THE FOUNDATION ON THE GROUND SURFACE FOR REVIEW BY THE OWNER. THE CONTRACTOR SHALL NOT EXCAVATE FOR THE FOUNDATION UNTIL AUTHORIZED BY THE OWNER'S REPRESENTATIVE.
3. EXISTING ROW LOCATIONS SHOWN ARE FOR REFERENCE ONLY. CONTRACTOR SHALL VERIFY RIGHT OF WAY LIMITS IN THE FIELD PRIOR TO COMMENCING CONSTRUCTION AND NOTIFY THE OWNER AND ENGINEER OF ANY CONFLICTS.
4. ALL AREAS DISTURBED DURING CONSTRUCTION SHALL BE RESTABILIZED PER THE PLANS. THE CONTRACTOR SHALL TAKE ALL NECESSARY PRECAUTIONS TO KEEP DRAINAGE AND SILT FROM WASHING ONTO ADJACENT PROPERTY OR CROSSING ADJACENT STREETS. CONTRACTOR SHALL IMMEDIATELY REMOVE SILT/DEBRIS THAT WASHES OFF-SITE OR INTO EXISTING STORM DRAIN SYSTEMS.
5. REFER TO OVERALL SITE PLAN FOR PAVEMENT REPAIR INFORMATION.
6. POWER TYPE: 120/240, 1P / INTERNET CONNECTION: 4GLTE.
7. THE CONTRACTOR AND/OR THE CONTRACTOR'S INDEPENDENTLY RETAINED EMPLOYEE OR STRUCTURAL DESIGN/GEOTECHNICAL/SAFETY/EQUIPMENT CONSULTANT, IF ANY, SHALL REVIEW THESE PLANS AND AVAILABLE GEOTECHNICAL INFORMATION AND THE ANTICIPATED INSTALLATION SITE(S) WITHIN THE PROJECT WORK AREA IN ORDER TO IMPLEMENT THE CONTRACTOR'S TRENCH EXCAVATION SAFETY PROTECTION SYSTEMS, PROGRAMS, AND/OR PROCEDURES FOR THE PROJECT DESCRIBED IN THE CONTRACT DOCUMENTS. THE CONTRACTOR'S IMPLEMENTATION OF THESE SYSTEMS, AND/OR PROCEDURES SHALL PROVIDE FOR ADEQUATE TRENCH EXCAVATION SAFETY PROTECTION THAT COMPLY WITH, AS A MINIMUM, OSHA STANDARDS FOR TRENCH EXCAVATIONS. SPECIFICALLY, THE CONTRACTOR AND/OR THE CONTRACTOR'S INDEPENDENTLY RETAINED EMPLOYEE OR SAFETY CONSULTANT SHALL IMPLEMENT A TRENCH SAFETY PROGRAM IN ACCORDANCE WITH OSHA STANDARDS GOVERNING THE PRESENCE AND ACTIVITIES OF INDIVIDUALS WORKING IN AND AROUND TRENCH EXCAVATION.
8. PROPOSED CONDUIT SHALL HAVE A MINIMUM OF 30 INCHES OF COVER AND SHALL MAINTAIN A MINIMUM CLEARANCE OF 12 INCHES FROM OTHER UTILITIES. IN CASE OF VERTICAL CONFLICT WITH EXISTING UTILITIES, THE CONTRACTOR MAY LOWER PROPOSED CONDUIT AT CROSSINGS TO MAINTAIN A 12 INCHES SEPARATION.
9. THE CONTRACTOR SHALL MAINTAIN 2 FEET OF CLEARANCE FROM ANY UNDERGROUND WATER OR SEWER INFRASTRUCTURE AND 4 FEET OF CLEARANCE FROM ANY ABOVE GROUND APPURTENANCES SUCH AS METERS, VALVE BOXES, MANHOLES, ETC.

ADA NOTES

1. ALL CONSTRUCTION ACTIVITIES SHALL BE COMPLETED IN FULL COMPLIANCE WITH THE AMERICANS WITH DISABILITIES ACT (ADA).
2. PROPOSED CLEAR FLOOR OR GROUND SPACE IN FRONT OF THE PROPOSED KIOSK SHALL BE SLOPED A MAX OF 1.50% (+/-0.50%) IN ALL DIRECTIONS AWAY FROM THE KIOSK.
3. THE MINIMUM WHEELCHAIR PASSAGE WIDTH OR CLEAR SPACE WIDTH FOR SINGLE WHEELCHAIR PASSAGE SHALL BE 32" AT A POINT AND 36" CONTINUOUSLY PER PROWAG 2011 STANDARD SECTION R404 ([HTTPS://WWW.ACCESS-BOARD.GOV/GUIDELINES-AND-STANDARDS/STREETS-SIDEWALKS/PUBLIC-RIGHTS-OF-WAY](https://www.access-board.gov/guidelines-and-standards/streets-sidewalks/public-rights-of-way)).
4. THE MINIMUM CLEAR FLOOR OR GROUND SPACE IN FRONT OF PROPOSED KIOSK REQUIRED TO ACCOMMODATE A SINGLE, STATIONARY WHEELCHAIR AND OCCUPANT IS 30" BY 48". THE MINIMUM CLEAR FLOOR OR GROUND SPACE MAY BE POSITIONED FOR FORWARD OR PARALLEL APPROACH. CLEAR FLOOR OR GROUND SPACE FOR WHEELCHAIRS SHALL BE CENTERED ON THE ELEMENT IT SERVES AND MAY BE PART OF THE KNEE SPACE REQUIRED UNDER SOME OBJECTS.

IKE KIOSK NOTE

1. INITIAL OPERATION FOR THE KIOSK WILL HAVE 4GLTE CONNECTION TO THE INTERNET

CONSTRUCTION SITE SAFETY IS THE RESPONSIBILITY OF THE CONTRACTOR. NEITHER THE OWNER NOR THE ENGINEER SHALL BE EXPECTED TO ASSUME ANY RESPONSIBILITY FOR SAFETY OF THE WORK, OF PERSONS ENGAGED IN THE WORK, OF ANY NEARBY STRUCTURES, OR OF ANY OTHER PERSONS.
COPYRIGHT © 2026 METRO ENGINEERING SOLUTIONS; ALL RIGHTS RESERVED.

THE LOCATIONS OF EXISTING UNDERGROUND UTILITIES ARE SHOWN IN AN APPROXIMATE WAY ONLY AND HAVE NOT BEEN INDEPENDENTLY VERIFIED. THE CONTRACTOR SHALL DETERMINE THE EXACT LOCATION OF ALL EXISTING UTILITIES BEFORE COMMENCING WORK, AND AGREES TO BE FULLY RESPONSIBLE FOR ANY AND ALL DAMAGES WHICH MIGHT BE OCCASIONED BY THE CONTRACTOR'S FAILURE TO EXACTLY LOCATE AND PRESERVE ANY AND ALL UNDERGROUND UTILITIES.



250 N HARTFORD AVE
COLUMBUS, OHIO 43222
PHONE: 614.589.0087



22300 Haggerty Rd, Northville, MI 48167



January 13, 2026

CONTRACTOR/AS-BUILT

REV.	DATE:	ISSUED FOR:
01	01/13/26	EXISTING ELEVATIONS SHOWN SIDEWALK JOINTING DETAILS ADDED

SITE NAME:
DET-060
W LAFAYETTE BLVD
& CASS AVE

JOB: 1035-25-2749_DS

DRAW DATE: 01/13/26

PLOT DATE: 01/13/26

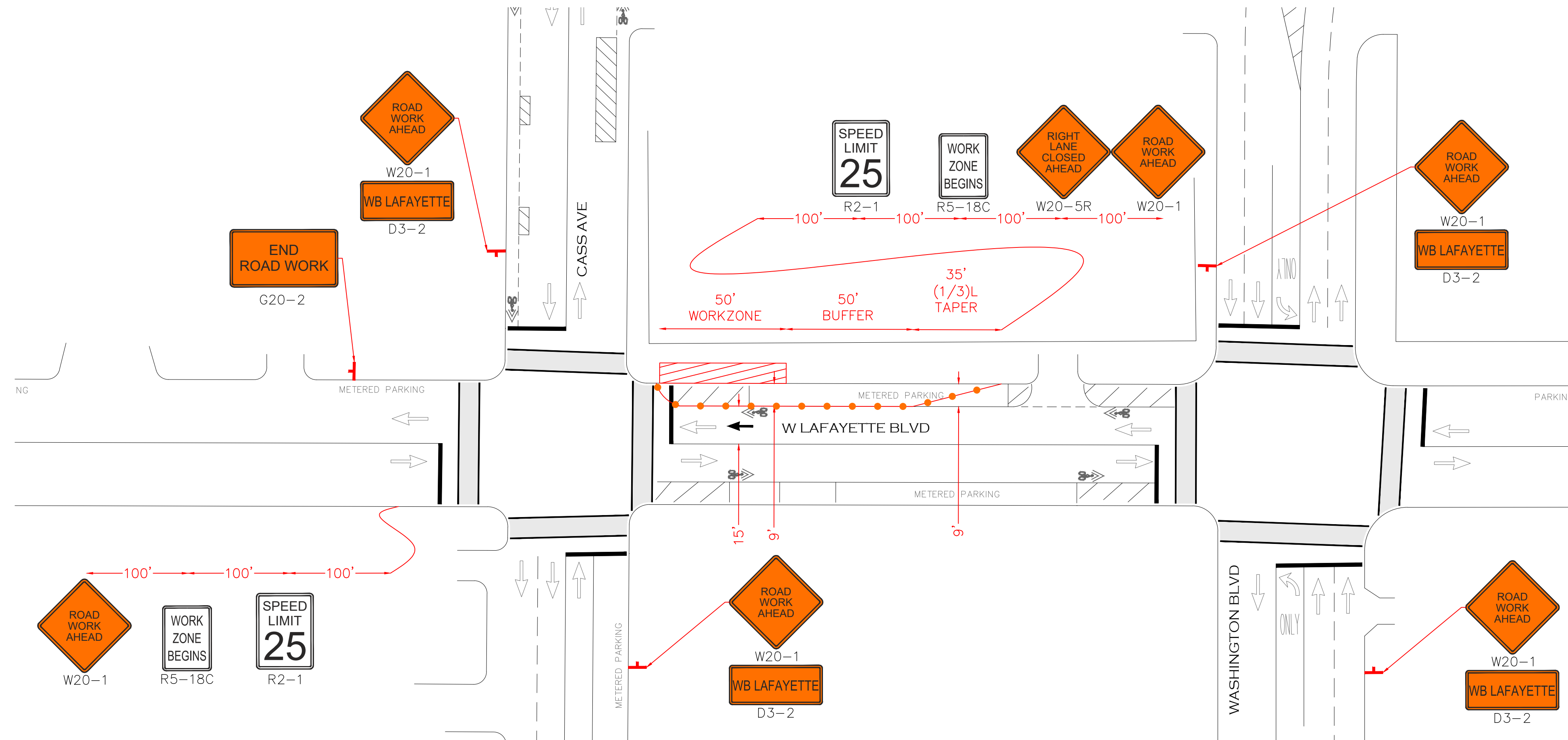
DRAWN BY: RLS

TITLE: IKE NOTES

SHEET: 09 OF 11

K:\1035 - Non DTE - Designs\1035-IKE\Detroit Market\1035-25-2749_Lafayette Blvd & Cass Ave (DET-060)\DWG\1035-25-2749_TC.dwg; 1/13/2026 3:47 PM;

M.O.T.



CONSTRUCTION NOTE:
 CONTRACTORS MUST PROVIDE SUPPORTING DOCUMENTS TO THE CITY ENGINEERING DIVISION TO SUBSTANTIATE THAT THE REQUESTOR HAS IN THEIR POSSESSION TO INSTALL AND MAINTAIN THE REQUIRED SIGNAGE, BARRICADES, ARROW BOARDS, ETC., FOR THE CLOSURE, PRIOR TO STARTING CONSTRUCTION.
 THE CED RESERVES THE RIGHT TO MODIFY THE REQUIREMENTS, SHOULD IT BECOME NECESSARY TO ENSURE SAFETY OF VEHICULAR AND NON-VEHICULAR TRAFFIC AND EFFECTIVE TRAFFIC FLOW. THE REQUESTOR SHALL BE RESPONSIBLE FOR THE UPKEEP OF THE SIGNAGE, BARRICADES, ARROW BOARDS ETC., AT ALL TIMES DURING THE CLOSURE. REQUESTOR'S FAILURE FOR THE INSTALLATION AND IT'S MAINTENANCE WOULD RESULT IN REVOKING THE PERMITS OR OTHER CORRECTIVE MEASURES. ANY COST ASSOCIATED WITH THE CORRECTIVE MEASURES WILL BE CHARGED TO THE REQUESTOR.

$$\text{TAPER LENGTH} = \frac{\text{LANE WIDTH} \times \text{SPEED}^2}{60}$$

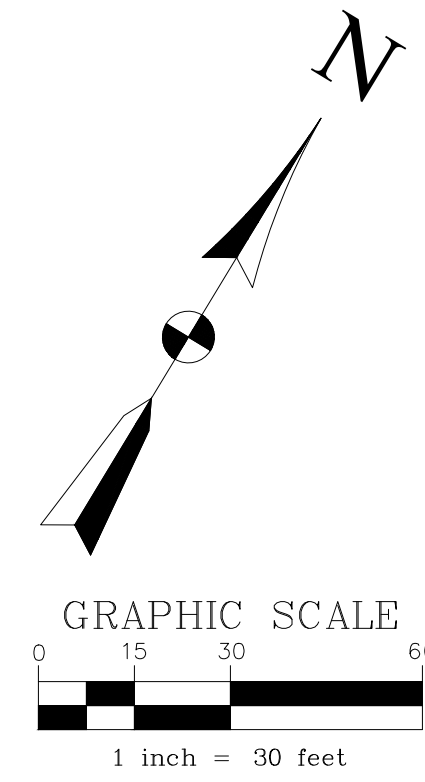
$$\text{TAPER LENGTH} = \frac{10' \times 25^2}{60}$$

$$\text{TAPER LENGTH} = 105'$$

- METERED PARKING WILL BE IMPEDED DURING THIS TEMPORARY TRAFFIC CONTROL MEASURE.
- PEDESTRIAN TRAVEL WILL NOT BE IMPEDED DURING THIS TEMPORARY TRAFFIC CONTROL MEASURE.
- BUS TRAVEL WILL NOT BE IMPEDED DURING THIS TEMPORARY TRAFFIC CONTROL MEASURE.

METERED ZONED PARKING		
KIOSK #	ZONE	CLOSURE LENGTH (DAYS)
100-105-LAF-496	105	10

- LEGEND**
- EXISTING TRAFFIC FLOW
 - PROPOSED TRAFFIC FLOW
 - TRAFFIC MERGE
 - LIGHTED ARROW PANEL
 - PEDESTRIAN WALKWAY
 - TYPE III BARRICADE
 - SIGN
 - TRAFFIC BARREL
 - TEMPORARY TRAFFIC BARRIER
 - WORK ZONE



ike SMART CITY
 250 N HARTFORD AVE
 COLUMBUS, OHIO 43222
 PHONE: 614.589.0087

MES METRO ENGINEERING SOLUTIONS
 22300 Haggerty Rd, Northville, MI 48167



January 13, 2026

CONTRACTOR/AS-BUILT

REV.	DATE:	ISSUED FOR:

SITE NAME:
**DET-060
 W LAFAYETTE BLVD
 & CASS AVE**

JOB: 1035-25-2749_TC

DRAW DATE: 01/08/26

PLOT DATE: 01/13/26

DRAWN BY: RLS

TITLE: M.O.T.

SHEET: 10 OF 11

CONSTRUCTION SITE SAFETY IS THE RESPONSIBILITY OF THE CONTRACTOR. NEITHER THE OWNER NOR THE ENGINEER SHALL BE EXPECTED TO ASSUME ANY RESPONSIBILITY FOR SAFETY OF THE WORK, OF PERSONS ENGAGED IN THE WORK, OF ANY NEARBY STRUCTURES, OR OF ANY OTHER PERSONS.
 COPYRIGHT © 2025 METRO ENGINEERING SOLUTIONS; ALL RIGHTS RESERVED.

THE LOCATIONS OF EXISTING UNDERGROUND UTILITIES ARE SHOWN IN AN APPROXIMATE WAY ONLY AND HAVE NOT BEEN INDEPENDENTLY VERIFIED. THE CONTRACTOR SHALL DETERMINE THE EXACT LOCATION OF ALL EXISTING UTILITIES BEFORE COMMENCING WORK, AND AGREES TO BE FULLY RESPONSIBLE FOR ANY AND ALL DAMAGES WHICH MIGHT BE OCCASIONED BY THE CONTRACTOR'S FAILURE TO EXACTLY LOCATE AND PRESERVE ANY AND ALL UNDERGROUND UTILITIES.



PEDESTRIAN SAFETY PLAN

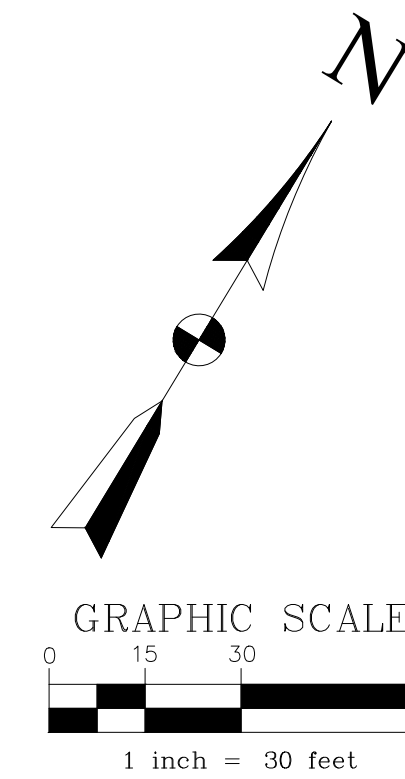
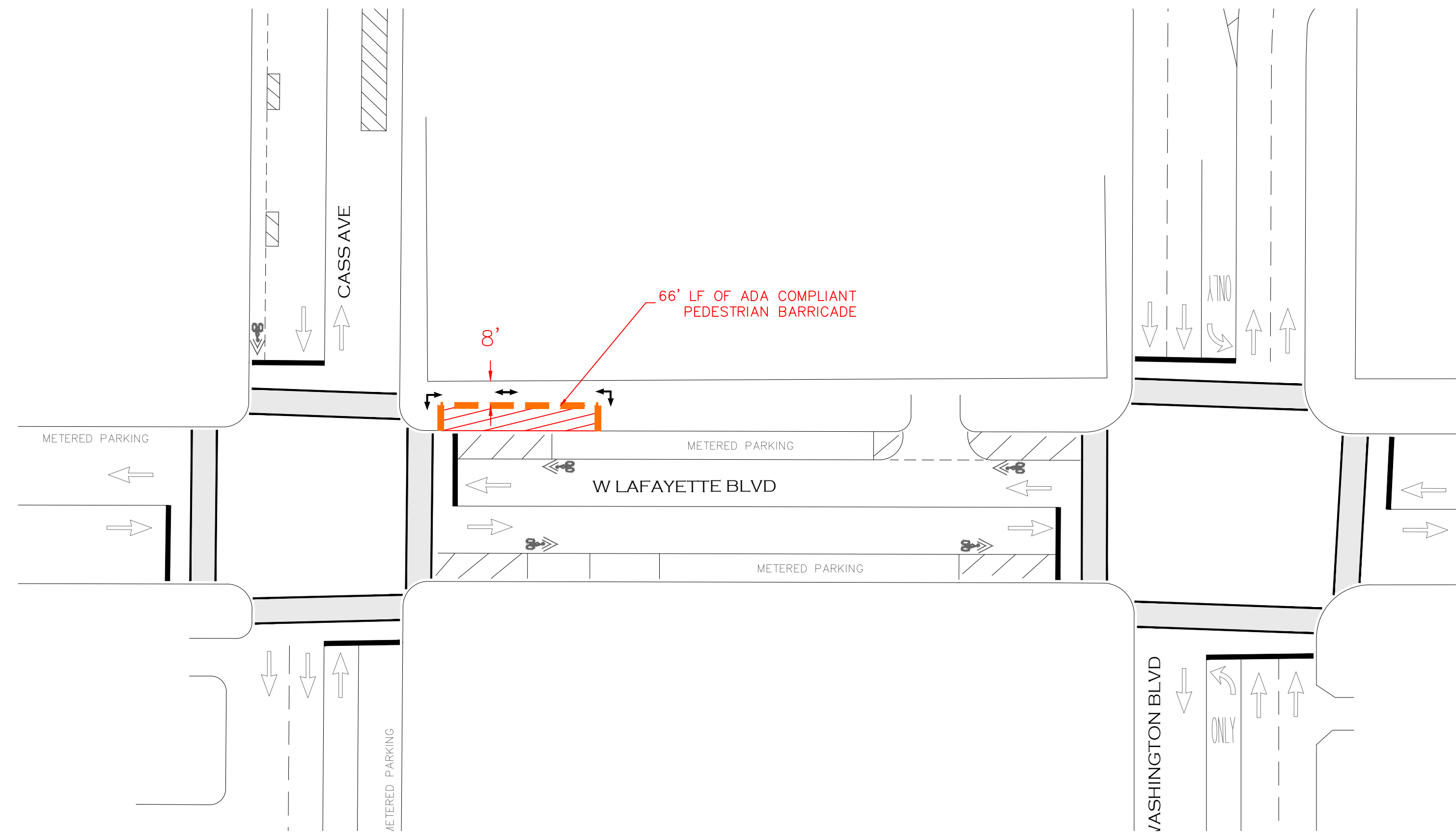
ike SMART CITY
 250 N HARTFORD AVE
 COLUMBUS, OHIO 43222
 PHONE: 614.589.0087

MES METRO ENGINEERING SOLUTIONS
 22300 Haggerty Rd, Northville, MI 48167



January 13, 2026

CONTRACTOR/AS-BUILT



LEGEND

- EXISTING TRAFFIC FLOW
- ⇄ TYPE III BARRICADE
- ➔ PROPOSED TRAFFIC FLOW
- + SIGN
- ↘ TRAFFIC MERGE
- TRAFFIC BARREL
- ⬛ LIGHTED ARROW PANEL
- ▭ TEMPORARY TRAFFIC BARRIER
- ▭ PEDESTRIAN WALKWAY
- ▨ WORK ZONE

ADA WALL meets ADA Requirements

MASH (Manual for Assessing Safety Hardware)
 TESTED, PASSED AND ELIGIBLE

- MASH Tested, Passed, Eligible as Longitudinal Channelizing Device, TL-3.
- Two Step-N-Deploy Legs Make Deployment Quick, Easy and Safe
- Made of UV stabilized, high density polyethylene, the linkable ADA Walls quickly and easily link together in 6 foot sections to allow the contractor flexibility in creating a safe pedestrian pathway.
- Weighing only 23 lbs., the durable, yet lightweight design makes the ADA Wall easy to lift on and off the truck and easy to connect.
- The ten molded-in vertical windows reduce wind load, add strength and stability, and reduce overall weight of the ADA Wall. They also allow a guide dog to see what is on the other side of the wall.
- Two recessed areas measuring 8" wide x 53" long on each side of the ADA Wall accommodate reflective sheeting.
- Standard colors are orange and white. Custom colors also available upon request.
- The TrafFix ADA Wall can accommodate uneven surfaces to create a clear safe pedestrian pathway.

Blow Molded Connectors Provide Strength and Flexibility.

CONSTRUCTION SITE SAFETY IS THE RESPONSIBILITY OF THE CONTRACTOR. NEITHER THE OWNER NOR THE ENGINEER SHALL BE EXPECTED TO ASSUME ANY RESPONSIBILITY FOR SAFETY OF THE WORK, OF PERSONS ENGAGED IN THE WORK, OF ANY NEARBY STRUCTURES, OR OF ANY OTHER PERSONS.
 COPYRIGHT © 2025 METRO ENGINEERING SOLUTIONS; ALL RIGHTS RESERVED.

THE LOCATIONS OF EXISTING UNDERGROUND UTILITIES ARE SHOWN IN AN APPROXIMATE WAY ONLY AND HAVE NOT BEEN INDEPENDENTLY VERIFIED. THE CONTRACTOR SHALL DETERMINE THE EXACT LOCATION OF ALL EXISTING UTILITIES BEFORE COMMENCING WORK, AND AGREES TO BE FULLY RESPONSIBLE FOR ANY AND ALL DAMAGES WHICH MIGHT BE OCCASIONED BY THE CONTRACTOR'S FAILURE TO EXACTLY LOCATE AND PRESERVE ANY AND ALL UNDERGROUND UTILITIES.



REV.	DATE:	ISSUED FOR:

SITE NAME:
 DET-060
 W LAFAYETTE BLVD
 & CASS AVE

JOB: 1035-25-2749_TC
 DRAW DATE: 01/08/26
 PLOT DATE: 01/13/26
 DRAWN BY: RLS
 TITLE: PEDESTRIAN DETOUR
 SHEET: 11 OF 11

K:\1035 - Non DTE - Designs\1035-IKE\Detroit Market\1035-25-2749-Lafayette Blvd & Cass Ave (DET-060)\DWG\1035-25-2749_TC.dwg; 1/13/2026 3:47 PM;