

LOCATION MAP
NOT TO SCALE

IKE KIOSK - DOWNTOWN DETROIT

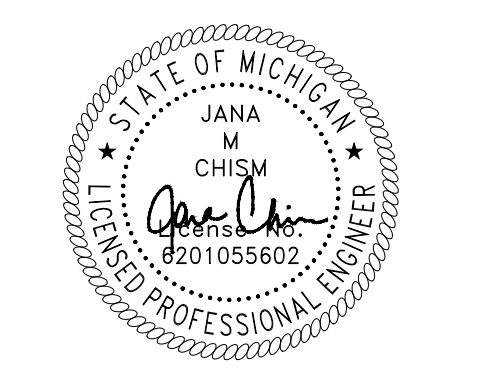
DET - 058 W VERNOR & MICHIGAN AVE

CITY OF DETROIT

WAYNE COUNTY, MI

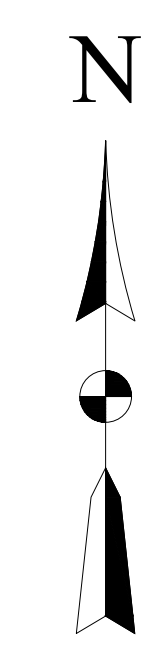
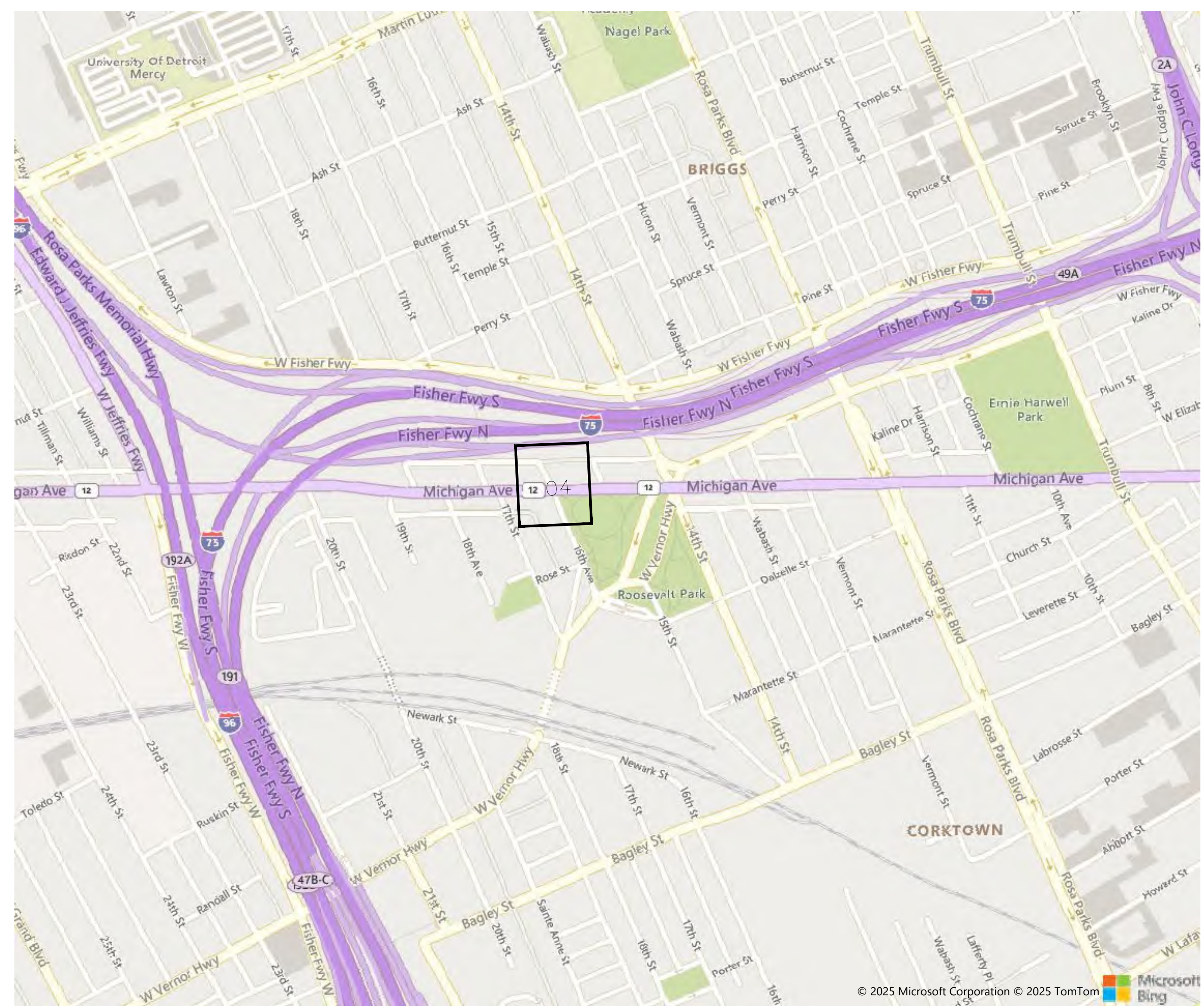
PERMIT/CONSTRUCTION PLANS

ike SMART CITY
 250 N HARTFORD AVE
 COLUMBUS, OHIO 43222
 PHONE: 614.589.0087



January 8, 2026

CONTRACTOR/AS-BUILT



OWNER
 IKE SMART CITY
 250 N HARTFORD AVE
 COLUMBUS, OH 43222
 CONTACT: POOCK, EMILY
 PHONE: (937) 520-4487
 EMAIL: EPOOCK@KESMARTCITY.COM

KIOSK MANUFACTURER
 DISPLAY DEVICE INC.
 21075 WESTGATE RD
 GOLDEN, CO 80403
 CONTACT: PERKINS, ERIC
 PHONE: (303) 929-4071

ENGINEER
 METRO ENGINEERING SOLUTIONS
 22300 HAGGERTY RD
 NORTHVILLE, MI 48167
 CONTACT: GAMBLE, JUSTIN
 PHONE: (734) 341-5753
 EMAIL: JGAMBLE@METROES.NET

DRAWING INDEX	
NO.	DESCRIPTION
01	TITLE
02-03	CITY OF DETROIT SPECS
04	PLAN VIEW
05	RESTORATION PLAN
06	IKE KIOSK SPECS
07	FOUNDATION SPECS
08	ADA SPECS
09	CONSTRUCTION NOTES
10	M.O.T.

ISSUED FOR:	DATE:	REV:

SITE NAME:
 DET-058
 W VERNOR &
 MICHIGAN AVE

JOB: 1035-25-2747_DS

DRAW DATE: 01/08/26

PLOT DATE: 01/08/26

DRAWN BY: RLS

TITLE: COVER

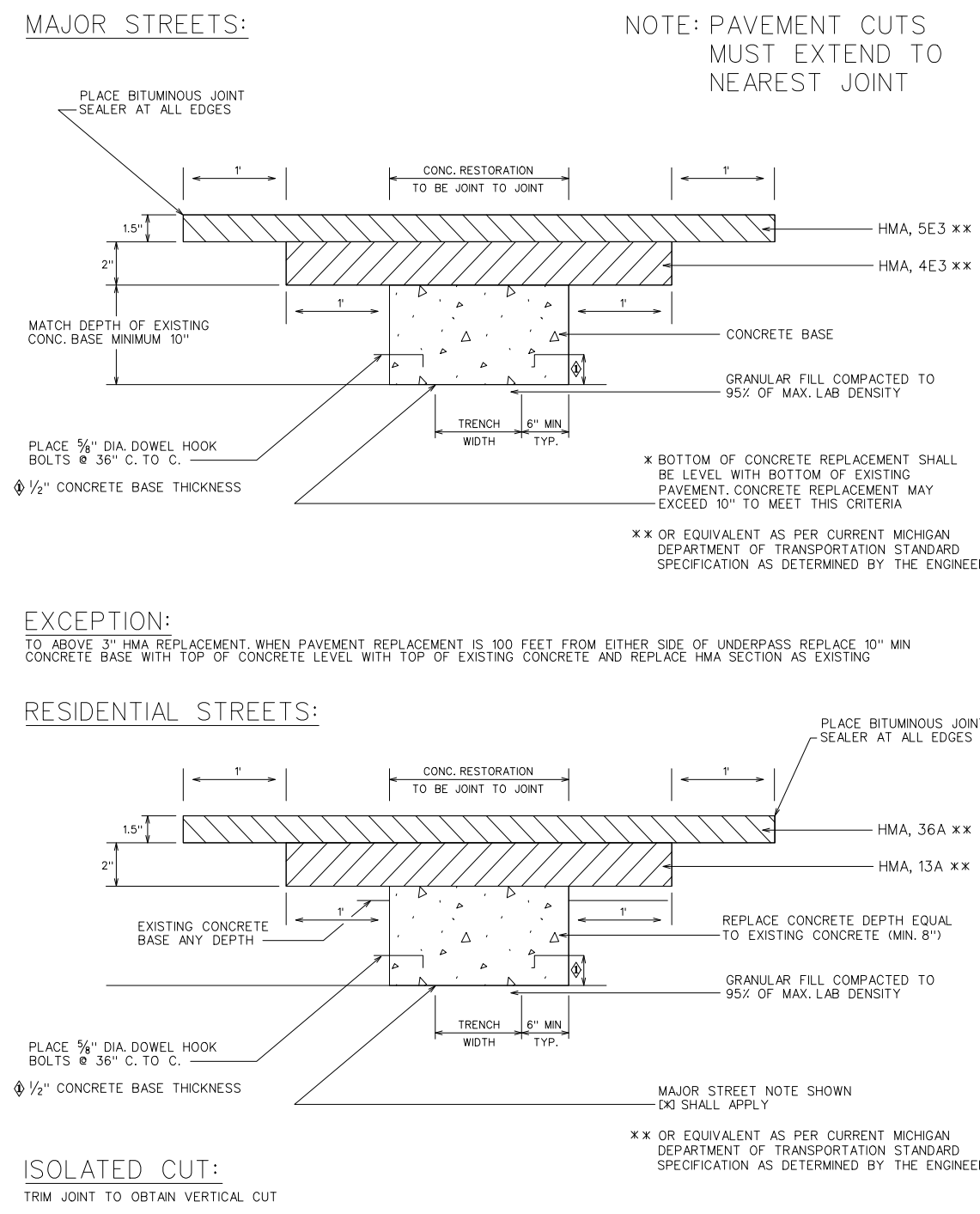
SHEET: 01 OF 10

K:\1035 - Non DTE - Designs\1035-IKE\Detroit Market\1035-25-2747_W Vernor & Michigan Ave (DET-058)\DWG\1035-25-2747_DS.dwg; 1/8/2026 1:43 PM;

CONSTRUCTION SITE SAFETY IS THE RESPONSIBILITY OF THE CONTRACTOR. NEITHER THE OWNER NOR THE ENGINEER SHALL BE EXPECTED TO ASSUME ANY RESPONSIBILITY FOR SAFETY OF THE WORK, OF PERSONS ENGAGED IN THE WORK, OF ANY NEARBY STRUCTURES, OR OF ANY OTHER PERSONS.
 THE LOCATIONS OF EXISTING UNDERGROUND UTILITIES ARE SHOWN IN AN APPROXIMATE WAY ONLY AND HAVE NOT BEEN INDEPENDENTLY VERIFIED. THE CONTRACTOR SHALL DETERMINE THE EXACT LOCATION OF ALL EXISTING UTILITIES BEFORE COMMENCING WORK, AND AGREES TO BE FULLY RESPONSIBLE FOR ANY AND ALL DAMAGES WHICH MIGHT BE OCCASIONED BY THE CONTRACTOR'S FAILURE TO EXACTLY LOCATE AND PRESERVE ANY AND ALL UNDERGROUND UTILITIES.
 COPYRIGHT © 2025 METRO ENGINEERING SOLUTIONS; ALL RIGHTS RESERVED.



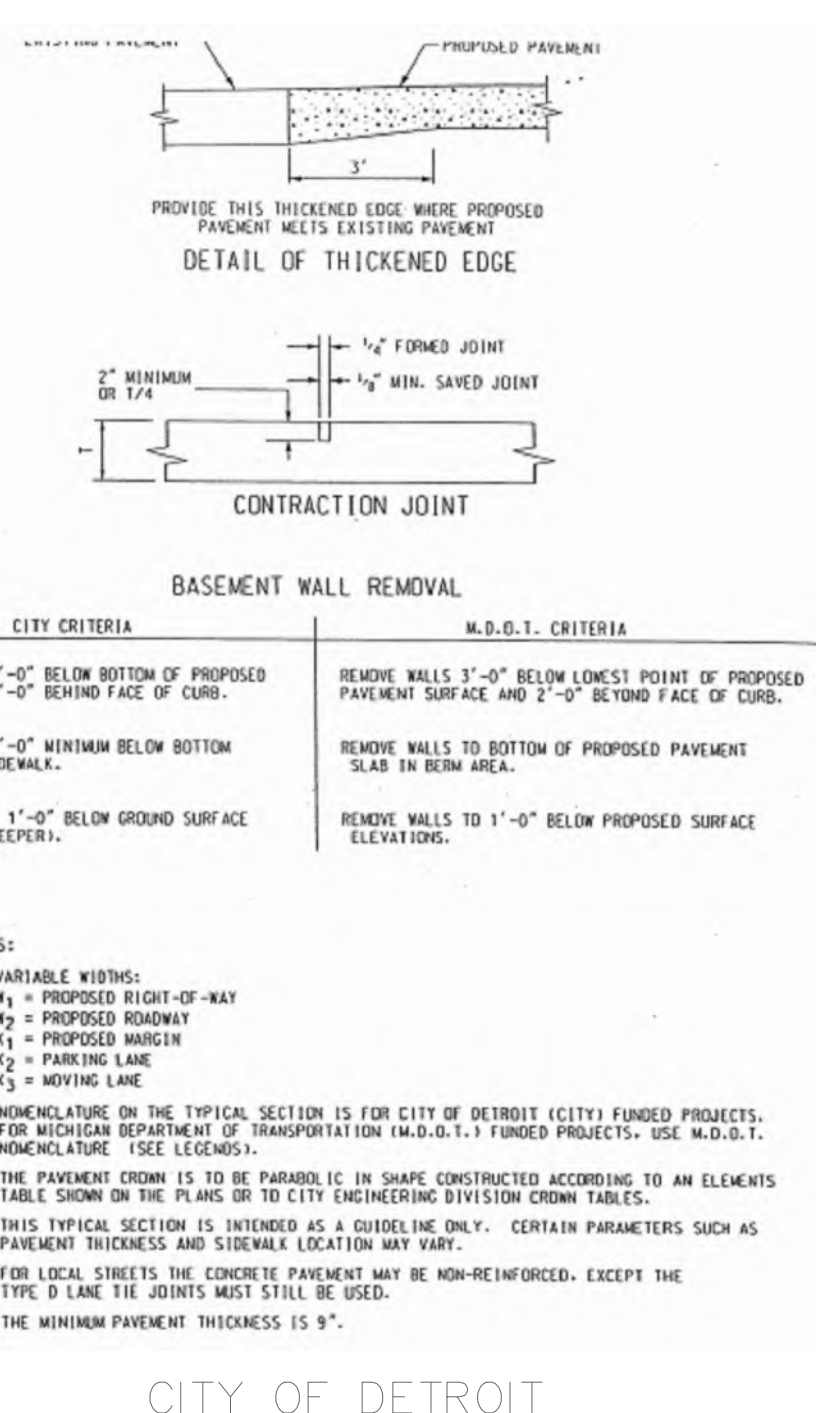
K:\1035 - Non DTE - Designs\1035-IKE\Detroit Market\1035-25-2747_W Vernor & Michigan Ave (DET-058)\DWG\1035-25-2747_DS.dwg; 1/8/2026 1:43 PM;



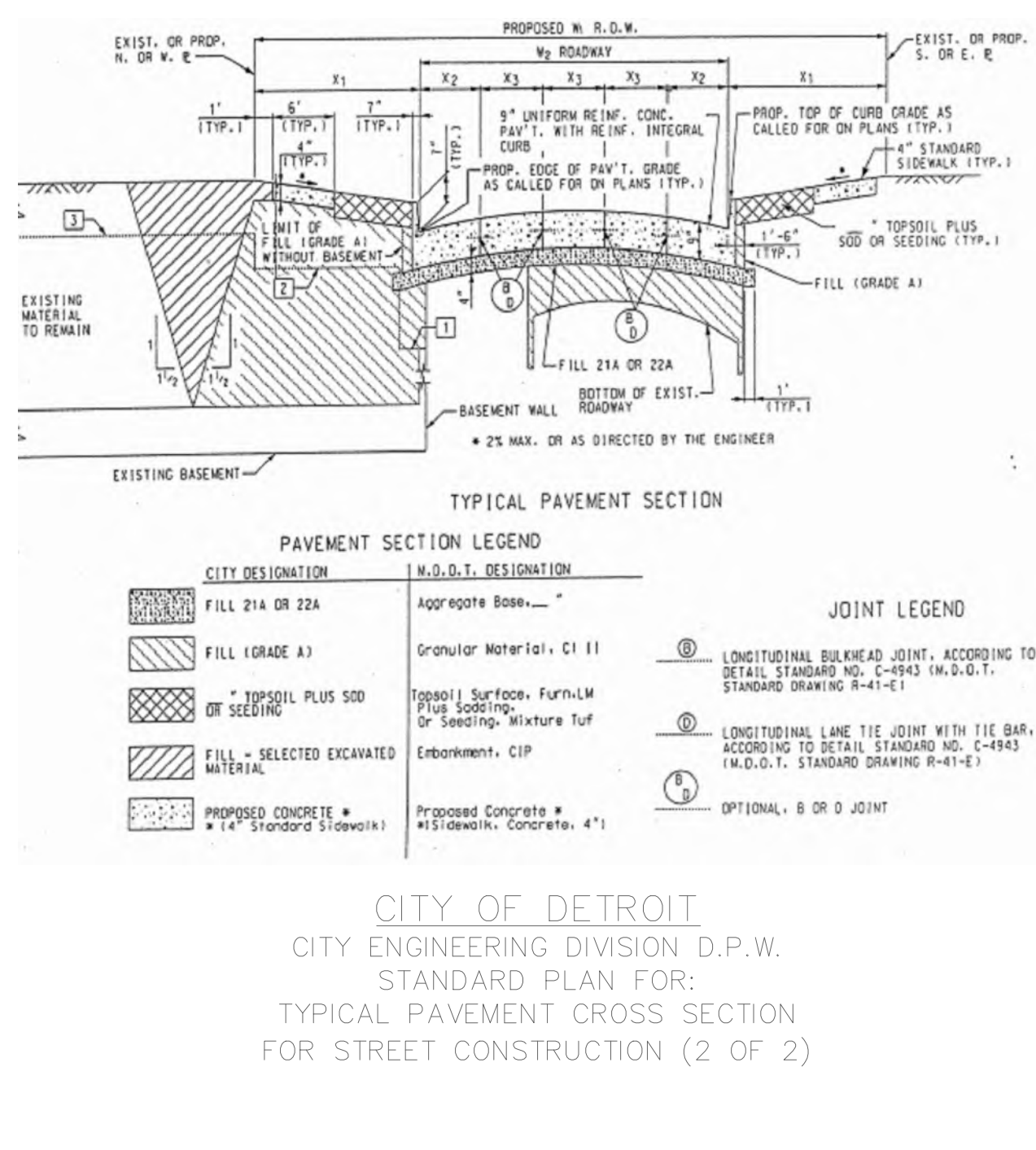
HMA SURFACE ON CONCRETE BASE UTILITY TRENCH CONSTRUCTION PAVEMENT RESTORATION		CITY OF DETROIT CITY ENGINEERING DIVISION SURVEY BUREAU	
DRAWN BY: WLW CHECKED: KSM DATE: 08/29/18 APPROVED: SKB	JOB NO. DRAWING NO. 1 OF 2	DRAWN BY: WLW CHECKED: KSM DATE: 08/29/18 APPROVED: SKB	CITY OF DETROIT CITY ENGINEERING DIVISION SURVEY BUREAU JOB NO. DRAWING NO. 2 OF 2

- CITY OF DETROIT NOTES**
- MILL (REMOVE) HMA PAVEMENT WITHIN AND BEYOND THE AREA OF TRENCH PAVEMENT REMOVAL IN ORDER TO DETERMINE LOCATION OF UNDERLYING CONCRETE BASE PAVEMENT JOINTS. MINIMUM TO 1' BEYOND NEAREST CONCRETE JOINTS.
 - EXTEND UTILITY TRENCH CONCRETE PAVEMENT REMOVAL TO ALL CONCRETE PAVEMENT JOINTS AND / OR CURBS ADJACENT TO THE TRENCH AREA. REMOVAL SHALL BE "JOINT TO JOINT".
 - CONCRETE PAVEMENT CUTS SHALL BE MINIMUM 3' WIDE.
 - ALL PAVEMENT CUTS SHALL BE MINIMUM 1" WIDER THAN TRENCH WIDTH.
 - ALL REMOVALS SHALL BE SAWCUT STRAIGHT AND SQUARE (90 DEGREES).
 - CONCRETE RESTORATION PAVEMENT SHALL BE MDOT P1 MIX (3,500 PSI).
 - RESTORED CONCRETE PAVEMENT SHALL MATCH THICKNESS OF EXISTING CONCRETE PAVEMENT IN CONFORMANCE WITH MDOT STANDARDS DETAIL R-44-F.
 - RESTORED CONCRETE SHALL BE ANCHORED TO EXISTING CONCRETE PAVEMENT IN CONFORMANCE WITH MDOT STANDARD DETAIL R-44-F.
 - APPLY HMA TACK COAT PER MDOT STANDARD SPECIFICATIONS SECTION 904.
 - RESTORE HMA PAVEMENT 3/2" TO MATCH EXISTING, IN 2 LIFTS:
1ST LIFT - 2" MDOT HMA 4E3 (13A RESIDENTIAL), COMPACTED, EXTENDED 1' BEYOND BASE CONCRETE REPAIR.
2ND LIFT - 1/2" MDOT HMA 5E3 (36A RESIDENTIAL), COMPACTED, EXTENDED 1' BEYOND 1ST LIFT..
 - BITUMINOUS JOINT SEALER SHALL BE PLACED AT ALL FINISHED HMA JOINTS.
 - ALL DISTURBED PAVEMENT MARKINGS AND OTHER ASSETS, INCLUDING BIKE LANE DELINEATORS, WILL HAVE TO BE REPLACED AT THE COST OF THE PERMIT HOLDER, AND SHALL CONFORM TO THE LATEST CED / TED STANDARDS.
 - FOR OTHER RELATED SPECIFICATIONS (BACKFILL COMPACTION, MATERIALS, ETC...), REFER TO DIVISION 15 OF THE STANDARD SPECIFICATIONS FOR PAVING AND RELATED CONSTRUCTION.
 - NOTIFY THE CITY OF DETROIT ENGINEERING DEPARTMENT 24 HOURS PRIOR TO STARTING CONSTRUCTION.
 - ANY OPEN EXCAVATIONS ARE TO BE STEEL PLATED. IF EXCAVATIONS ARE IN THE PAVEMENT, THE PLATES ARE TO BE SPIKED AND RAMPED WITH COLD PATCH. CONTACT THE CITY WITH LOCATION OF THE STEEL PLATE.
 - THE CITY OF DETROIT REQUIRES ALL CONCRETE WORK TO BE STAMPED WITH A CONTRACTOR'S IDENTIFICATION STAMP.

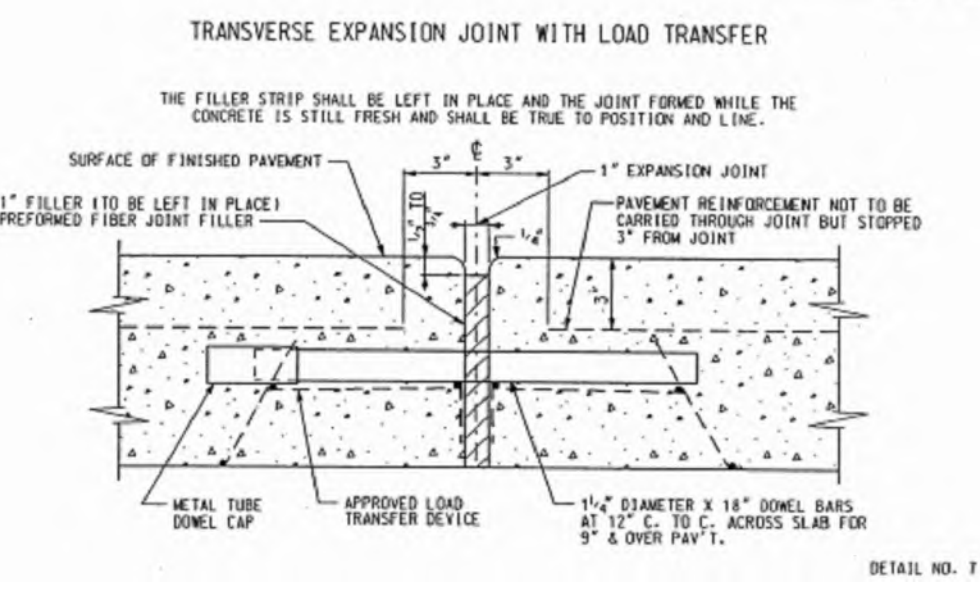
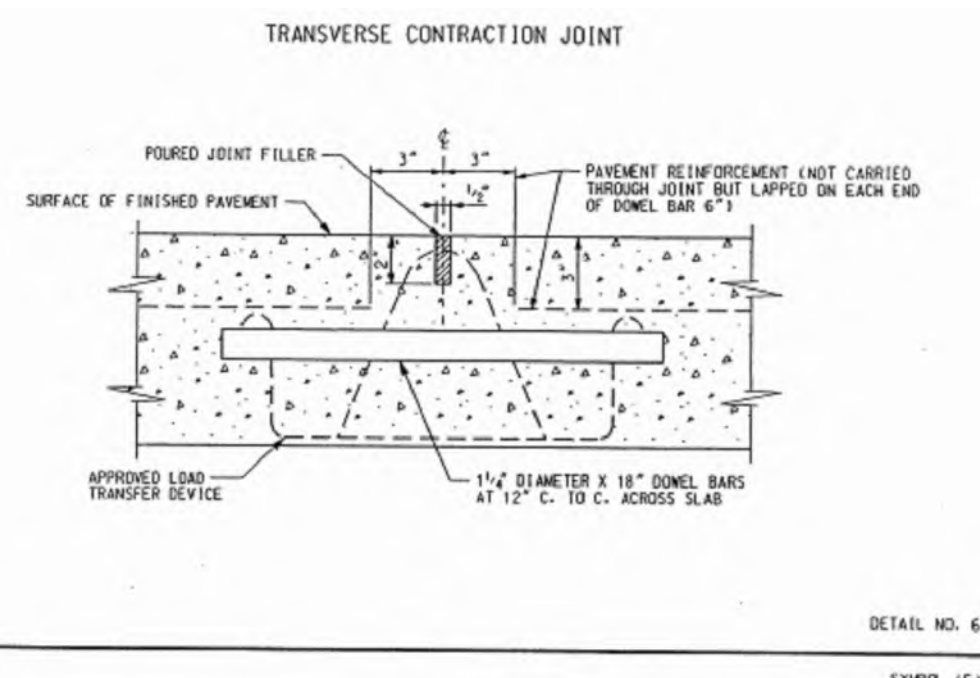
HMA SURFACE ON CONCRETE BASE UTILITY TRENCH CONSTRUCTION PAVEMENT RESTORATION		CITY OF DETROIT CITY ENGINEERING DIVISION SURVEY BUREAU	
DRAWN BY: WLW CHECKED: KSM DATE: 08/29/18 APPROVED: SKB	JOB NO. DRAWING NO. 1 OF 2	DRAWN BY: WLW CHECKED: KSM DATE: 08/29/18 APPROVED: SKB	CITY OF DETROIT CITY ENGINEERING DIVISION SURVEY BUREAU JOB NO. DRAWING NO. 2 OF 2



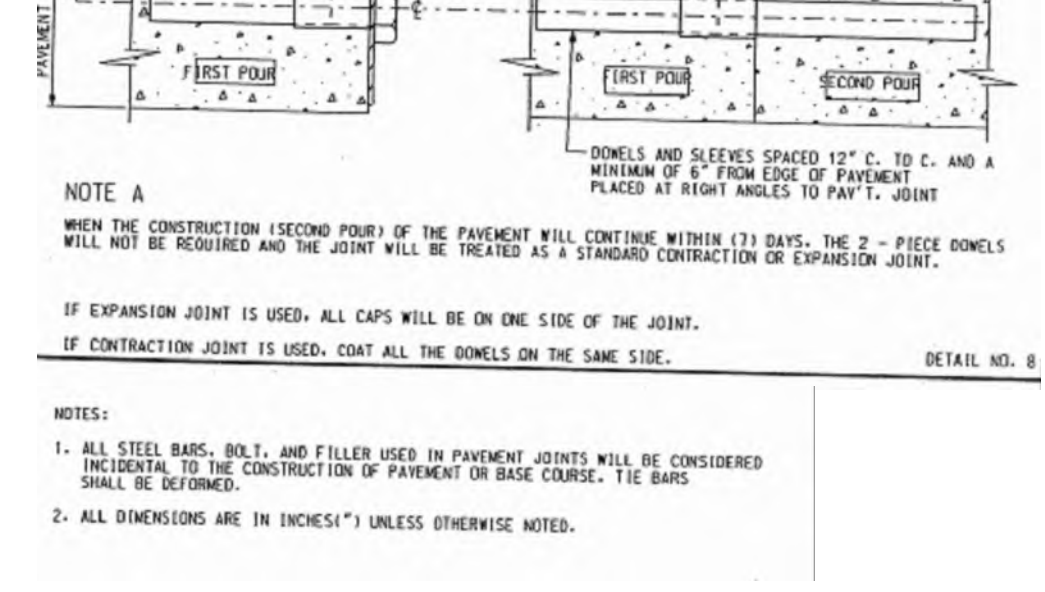
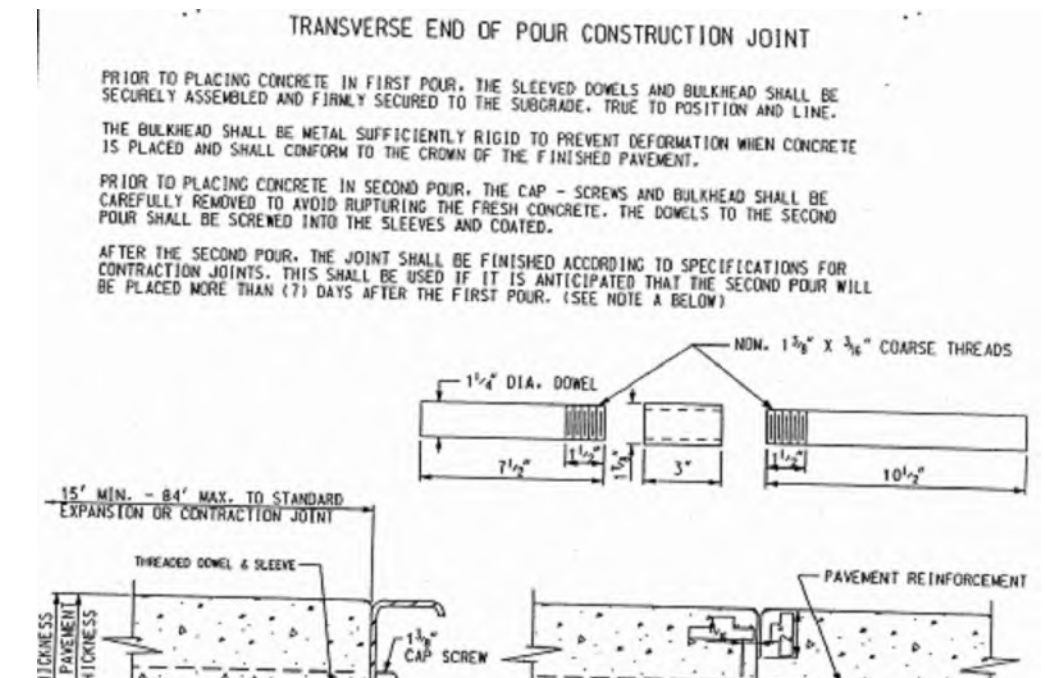
HMA SURFACE ON CONCRETE BASE UTILITY TRENCH CONSTRUCTION PAVEMENT RESTORATION		CITY OF DETROIT CITY ENGINEERING DIVISION SURVEY BUREAU	
DRAWN BY: WLW CHECKED: KSM DATE: 08/29/18 APPROVED: SKB	JOB NO. DRAWING NO. 1 OF 2	DRAWN BY: WLW CHECKED: KSM DATE: 08/29/18 APPROVED: SKB	CITY OF DETROIT CITY ENGINEERING DIVISION SURVEY BUREAU JOB NO. DRAWING NO. 2 OF 2



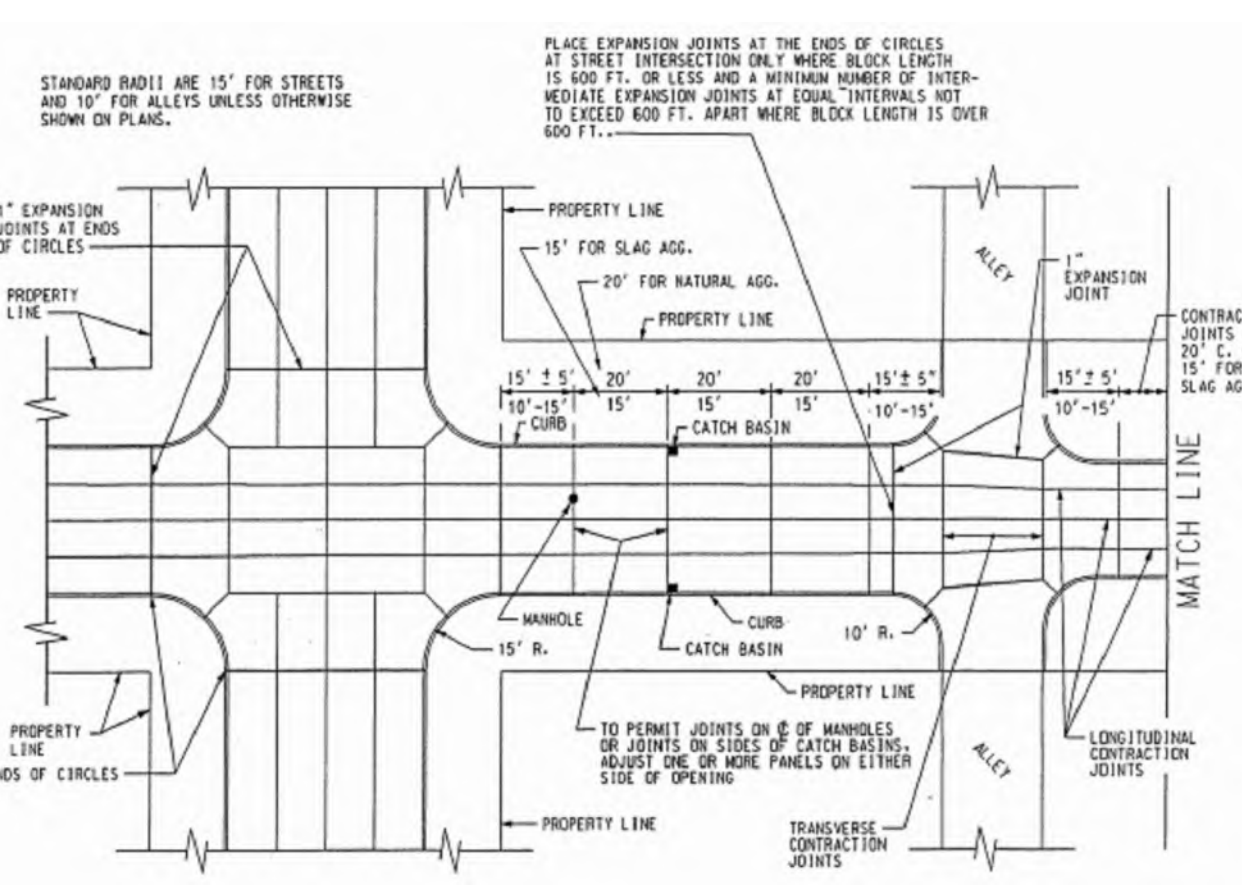
HMA SURFACE ON CONCRETE BASE UTILITY TRENCH CONSTRUCTION PAVEMENT RESTORATION		CITY OF DETROIT CITY ENGINEERING DIVISION SURVEY BUREAU	
DRAWN BY: WLW CHECKED: KSM DATE: 08/29/18 APPROVED: SKB	JOB NO. DRAWING NO. 1 OF 2	DRAWN BY: WLW CHECKED: KSM DATE: 08/29/18 APPROVED: SKB	CITY OF DETROIT CITY ENGINEERING DIVISION SURVEY BUREAU JOB NO. DRAWING NO. 2 OF 2



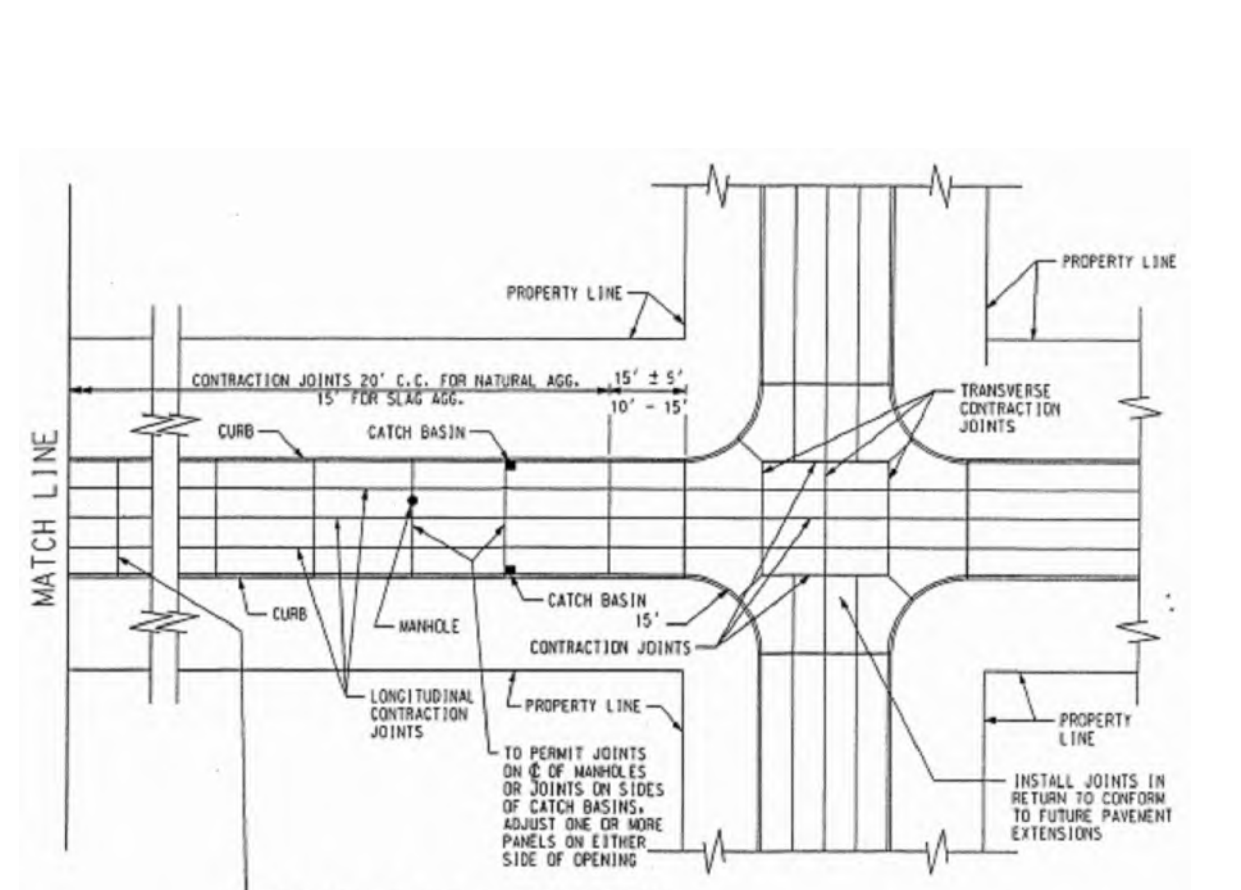
CITY OF DETROIT
CITY ENGINEERING DIVISION D.P.W.
STANDARD PLAN FOR:
REINFORCED CONCRETE
PAVEMENT JOINTS (1 OF 2)



CITY OF DETROIT
CITY ENGINEERING DIVISION D.P.W.
STANDARD PLAN FOR:
REINFORCED CONCRETE
PAVEMENT JOINTS (2 OF 2)



CITY OF DETROIT
CITY ENGINEERING DIVISION D.P.W.
STANDARD PLAN FOR:
TYPICAL JOINT LAYOUT FOR
NON-REINFORCED CONC PAVEMENT (1 OF 2)



CITY OF DETROIT
CITY ENGINEERING DIVISION D.P.W.
STANDARD PLAN FOR:
TYPICAL JOINT LAYOUT FOR
NON-REINFORCED CONC PAVEMENT (2 OF 2)

ike SMART CITY
250 N HARTFORD AVE
COLUMBUS, OHIO 43222
PHONE: 614.589.0087

MES METRO ENGINEERING SOLUTIONS
22300 Haggerty Rd, Northville, MI 48167



January 8, 2026
CONTRACTOR/AS-BUILT

ISSUED FOR:	
DATE:	
REV:	

SITE NAME:
**DET-058
W VERNOR &
MICHIGAN AVE**

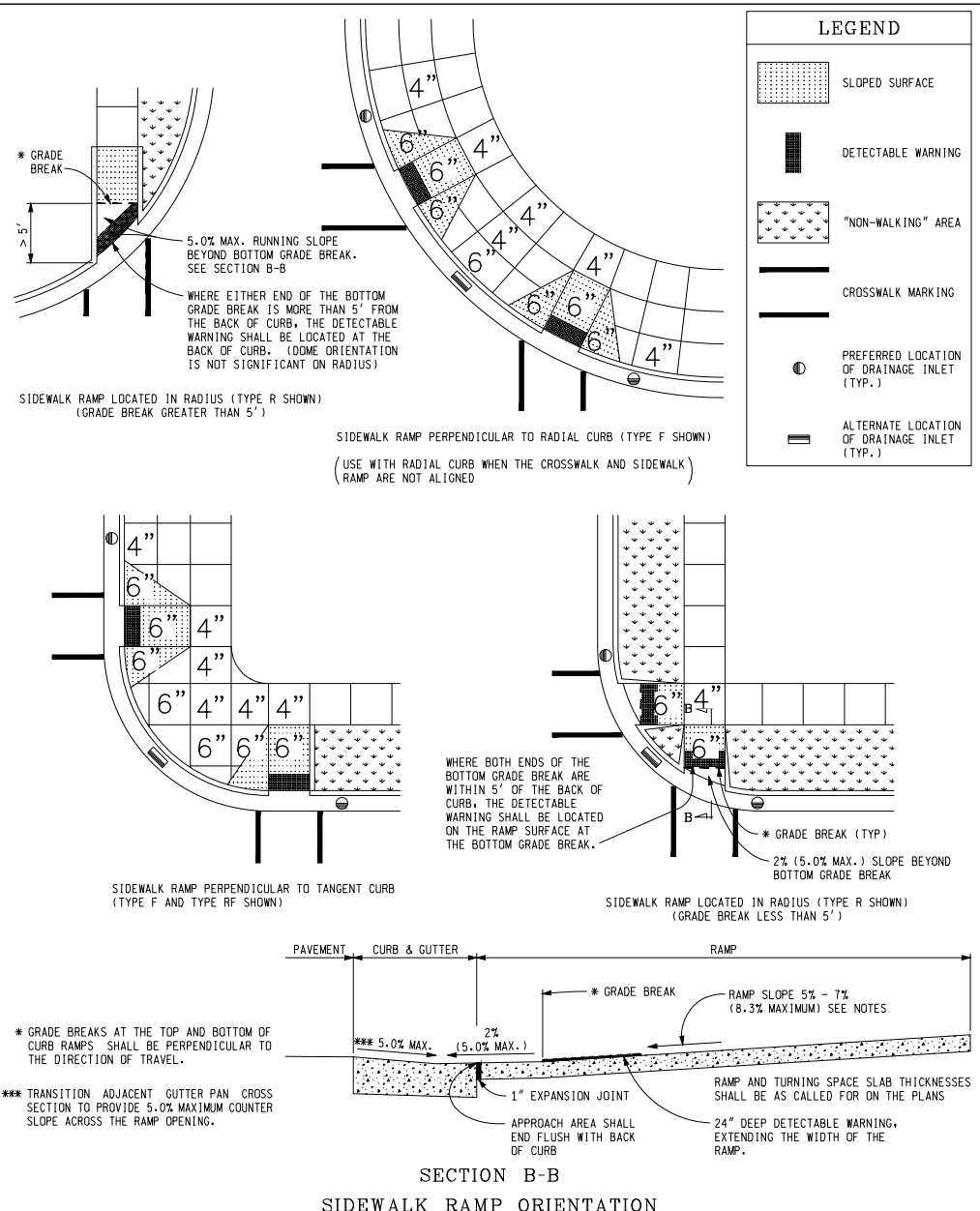
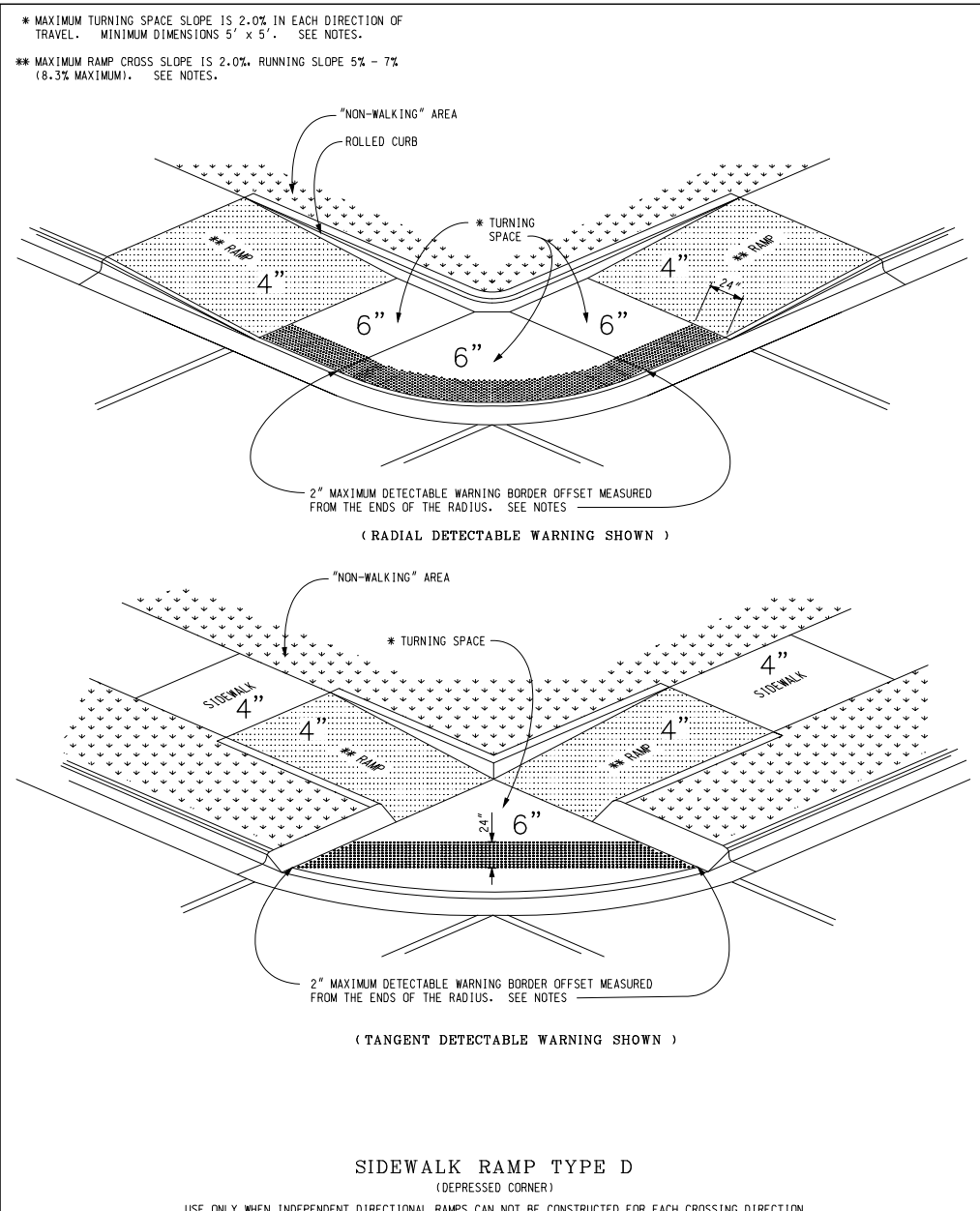
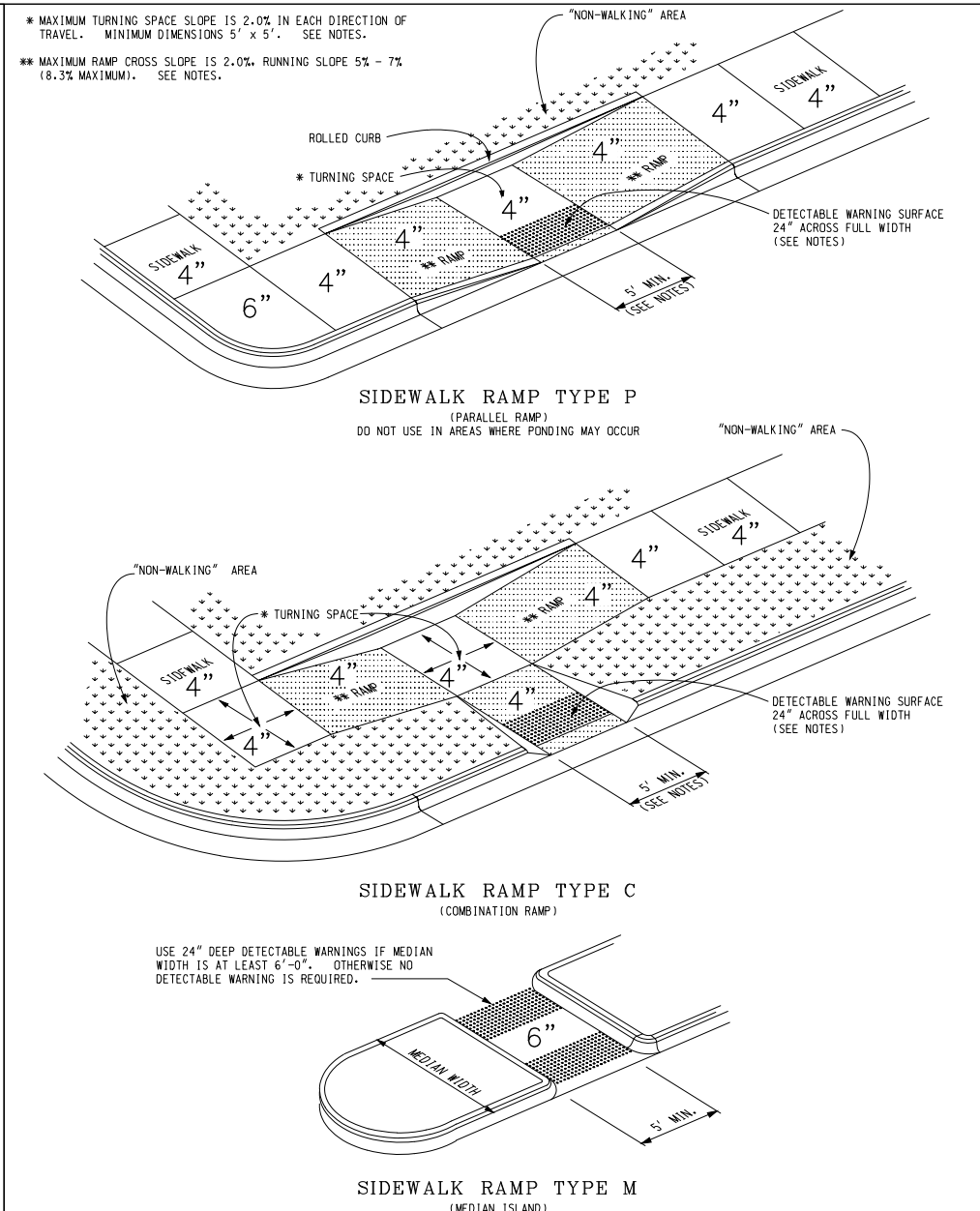
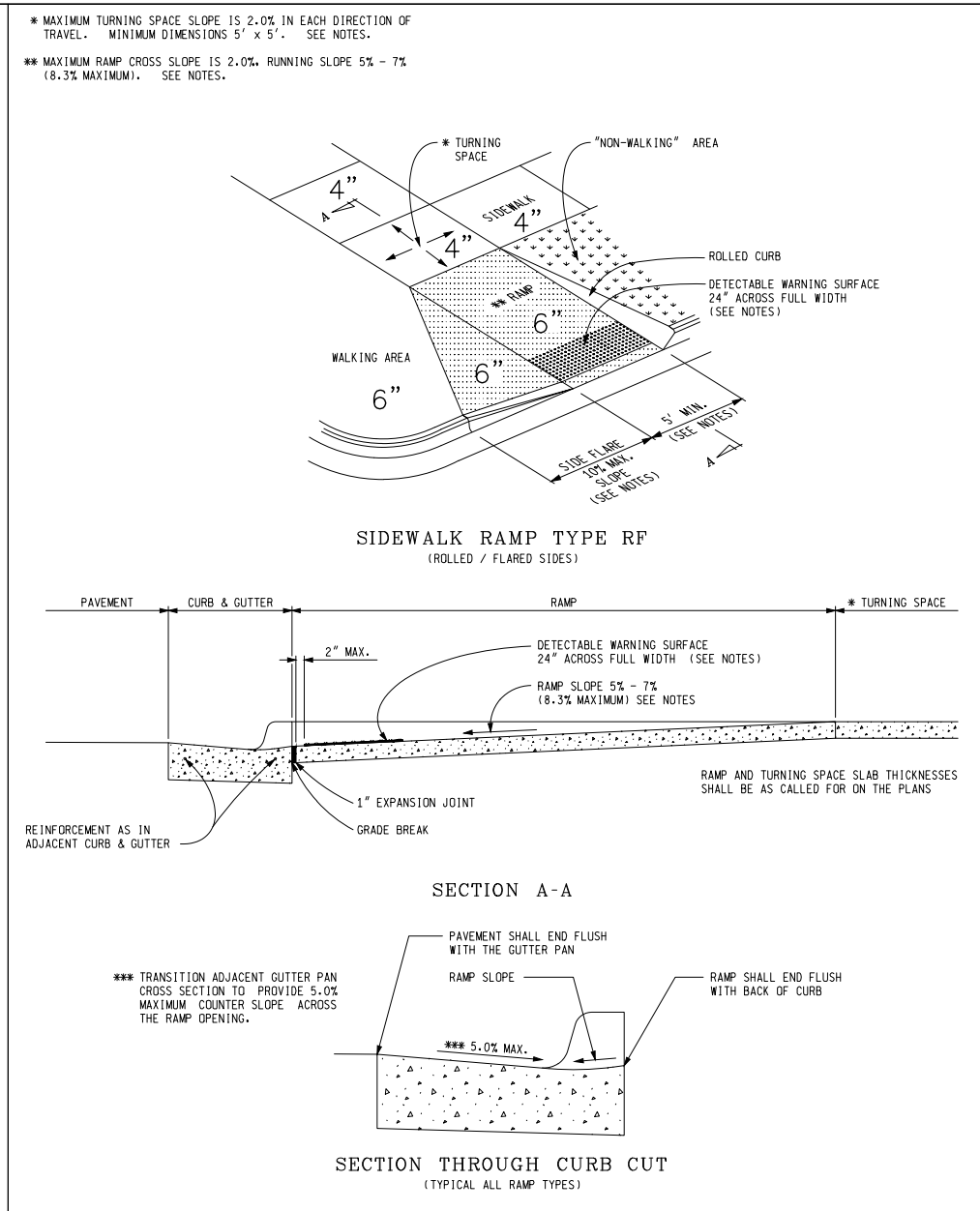
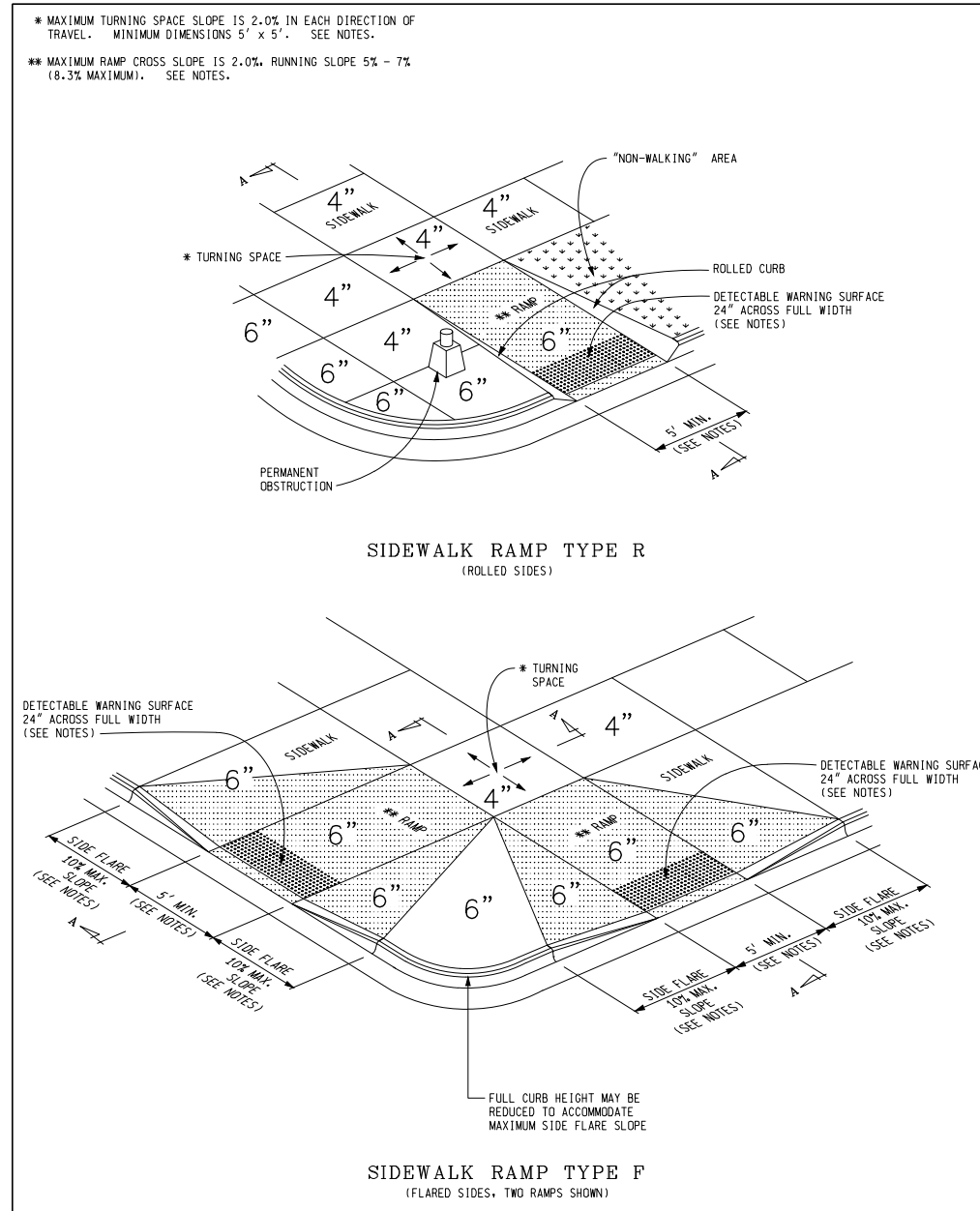
JOB:	1035-25-2747_DS
DRAW DATE:	01/08/26
PLOT DATE:	01/08/26
DRAWN BY:	RLS
TITLE:	DETROIT SPECS
SHEET:	02 OF 10



CONSTRUCTION SITE SAFETY IS THE RESPONSIBILITY OF THE CONTRACTOR. NEITHER THE OWNER NOR THE ENGINEER SHALL BE EXPECTED TO ASSUME ANY RESPONSIBILITY FOR SAFETY OF THE WORK, OF PERSONS ENGAGED IN THE WORK, OF ANY NEARBY STRUCTURES, OR OF ANY OTHER PERSONS.
COPYRIGHT © 2025 METRO ENGINEERING SOLUTIONS; ALL RIGHTS RESERVED.

THE LOCATIONS OF EXISTING UNDERGROUND UTILITIES ARE SHOWN IN AN APPROXIMATE WAY ONLY AND HAVE NOT BEEN INDEPENDENTLY VERIFIED. THE CONTRACTOR SHALL DETERMINE THE EXACT LOCATION OF ALL EXISTING UTILITIES BEFORE COMMENCING WORK, AND AGREES TO BE FULLY RESPONSIBLE FOR ANY AND ALL DAMAGES WHICH MAY BE OCCASIONED BY THE CONTRACTOR'S FAILURE TO EXACTLY LOCATE AND PRESERVE ANY AND ALL UNDERGROUND UTILITIES.

K:\1035 - Non DTE - Designs\1035-IKE\Detroit Market\1035-25-2747_W Vernor & Michigan Ave (DET-058)\DWG\1035-25-2747_DS.dwg; 1/8/2026 1:46 PM;



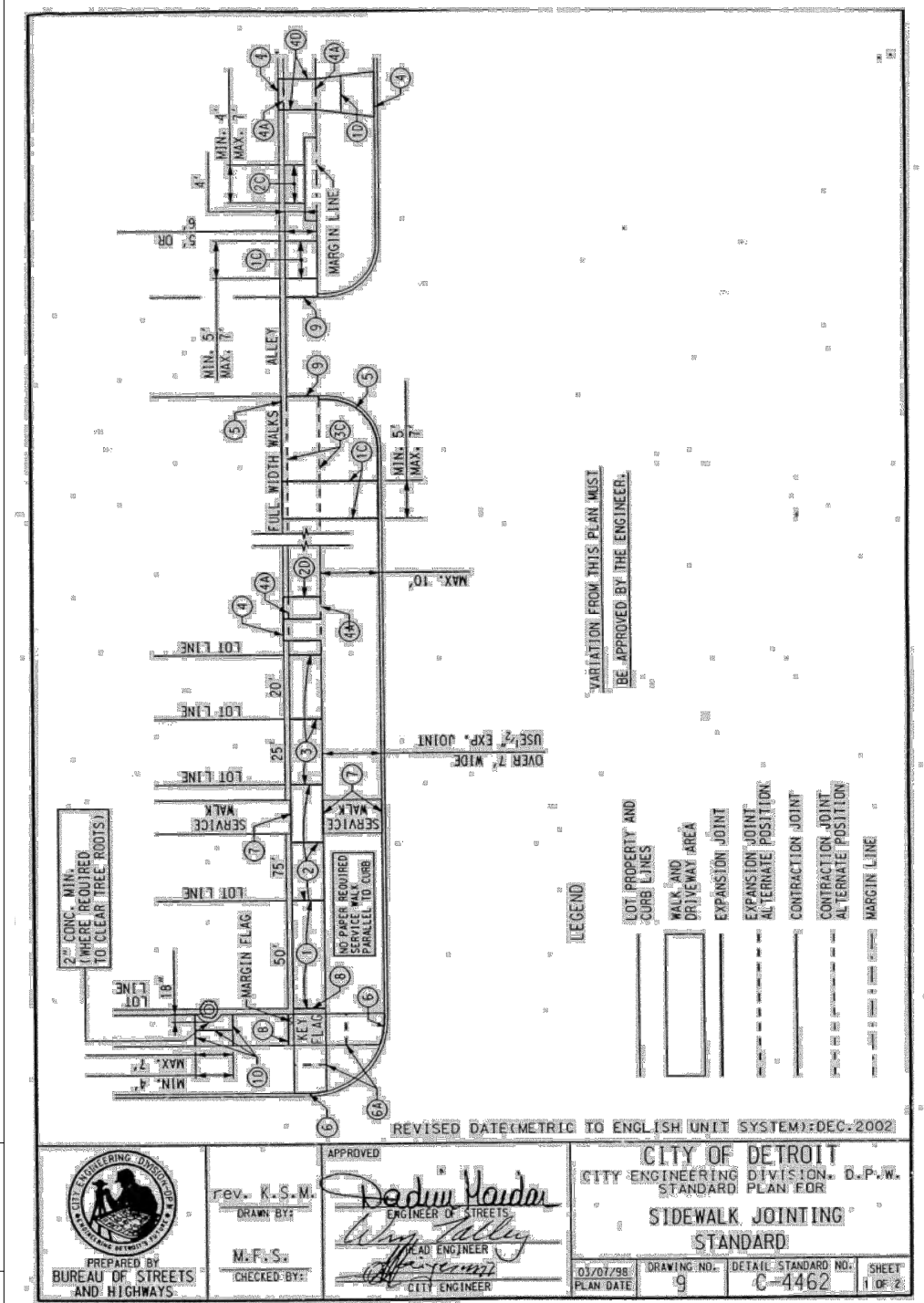
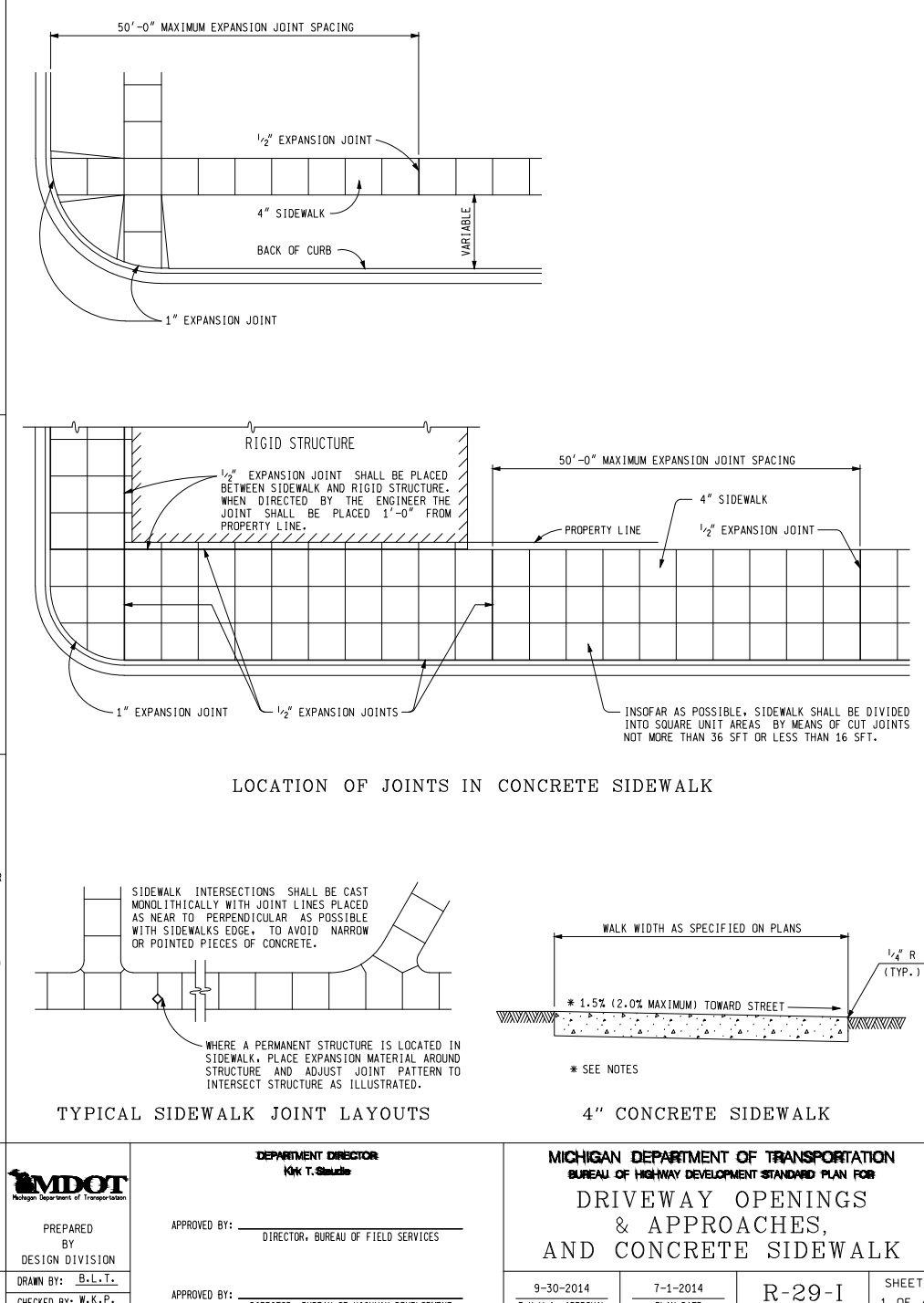
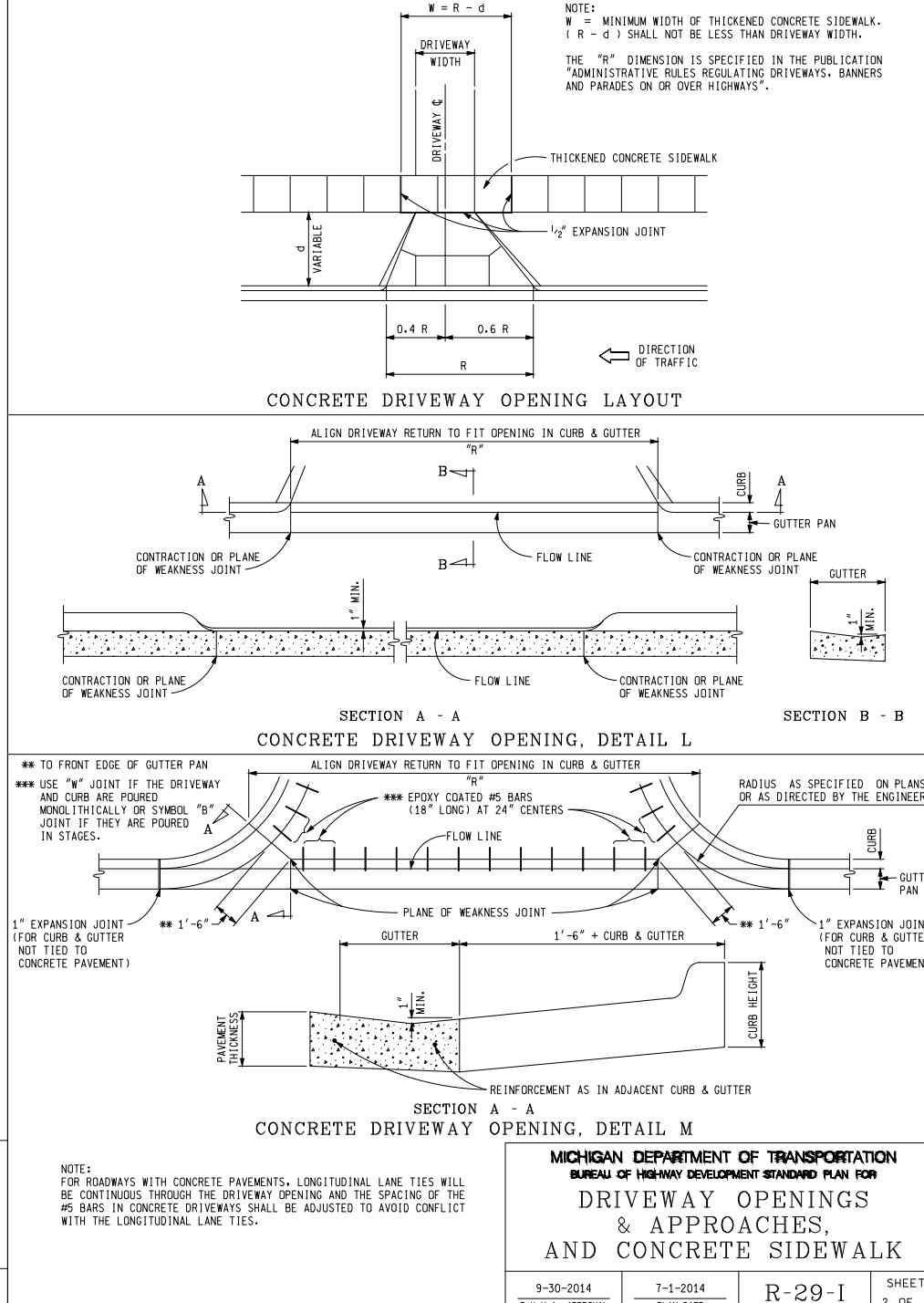
MDOT	DEPARTMENT DIVISION M-11	DESIGNED BY R.L.S.	APPROVED BY DIRECTOR, BUREAU OF HIGHWAY DEVELOPMENT
MICHIGAN DEPARTMENT OF TRANSPORTATION BUREAU OF HIGHWAY DEVELOPMENT STANDARD PLAN FOR SIDEWALK RAMP AND DETECTABLE WARNING DETAILS		9-30-2014	7-1-2014
9-30-2014	7-1-2014	R-28-1	SHEET 2 OF 1

MICHIGAN DEPARTMENT OF TRANSPORTATION BUREAU OF HIGHWAY DEVELOPMENT STANDARD PLAN FOR SIDEWALK RAMP AND DETECTABLE WARNING DETAILS		9-30-2014	7-1-2014
9-30-2014	7-1-2014	R-28-1	SHEET 2 OF 1

MICHIGAN DEPARTMENT OF TRANSPORTATION BUREAU OF HIGHWAY DEVELOPMENT STANDARD PLAN FOR SIDEWALK RAMP AND DETECTABLE WARNING DETAILS		9-30-2014	7-1-2014
9-30-2014	7-1-2014	R-28-1	SHEET 2 OF 1

MICHIGAN DEPARTMENT OF TRANSPORTATION BUREAU OF HIGHWAY DEVELOPMENT STANDARD PLAN FOR SIDEWALK RAMP AND DETECTABLE WARNING DETAILS		9-30-2014	7-1-2014
9-30-2014	7-1-2014	R-28-1	SHEET 2 OF 1

MICHIGAN DEPARTMENT OF TRANSPORTATION BUREAU OF HIGHWAY DEVELOPMENT STANDARD PLAN FOR SIDEWALK RAMP AND DETECTABLE WARNING DETAILS		9-30-2014	7-1-2014
9-30-2014	7-1-2014	R-28-1	SHEET 2 OF 1



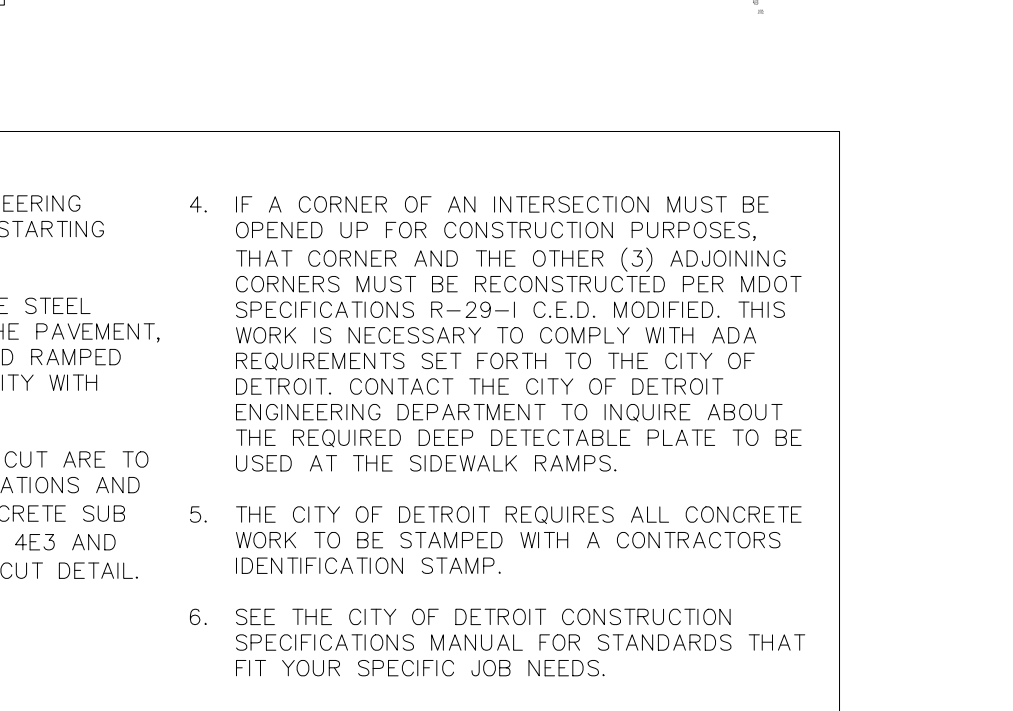
- EXPANSION JOINTS**
- ALL EXPANSION JOINT PAPER SHALL EXTEND 1" BELOW THE BOTTOM OF THE THINNESS OF ADJOINING PAVEMENT SECTIONS.
 - PLACE 1/2" PAPER EXPANSION JOINTS AT LOT LINES WHEN LOT LINES ARE BETWEEN 25' AND 50' APART.
 - PLACE ADDITIONAL 1/2" PAPER EXPANSION JOINTS SO THAT THE DISTANCE BETWEEN JOINTS DOES NOT EXCEED 15.2 m WHEN LOT LINES ARE OVER 15.240 m APART.
 - PLACE 1/2" PAPER EXPANSION JOINTS AT EVERY SECOND LOT LINE AND CONTRACTION JOINT AT INTERVENING LOT LINE WHEN LOT LINES ARE LESS THAN 25' APART.
 - PLACE 1" PAPER EXPANSION JOINTS AT CURB AND BUILDING OR PROPERTY LINE OR AT ALTERNATE POSITION AS SHOWN FOR DRIVEWAY.
 - PLACE 1" PAPER EXPANSION JOINTS AT CURB CIRCLES OR AT ALTERNATE POSITION AS SHOWN.
 - PLACE 1" PAPER EXPANSION JOINTS AT INTERSECTIONS OF SERVICE WALKS AND SIDEWALKS AND SERVICE WALKS AND CURBS.
 - PLACE 1" PAPER EXPANSION JOINTS AT ALLEY APERTURES.
 - PLACE 1/2" PAPER EXPANSION JOINT BOTH SIDES OF SIDEWALK FLAG ABUTTING TREE AND ON CENTERLINE JOINT.
- CONTRACTION JOINTS**
- PLACE CONTRACTION JOINTS AT INTERVALS OF NOT LESS THAN 5' NOR MORE THAN 1' ON WALKS 5' WIDE OR WIDER, INCLUDING FULL WIDTH WALKS.
 - PLACE CONTRACTION JOINTS AT INTERVALS OF NOT LESS THAN 4' NOR MORE THAN 1' ON WALKS 4' WIDE.
 - PLACE CONTRACTION JOINTS AT THE MARGIN LINE ON FULL WIDTH WALKS (OPTIONAL).
 - PLACE CONTRACTION JOINTS IN DRIVEWAYS SO THAT NO SLAB WILL EXCEED THE DIMENSIONS OF 15' BY 15'.
 - PLACE 1" PAPER EXPANSION JOINTS ON ALL SIDES OF COMMERCIAL DRIVEWAYS.
 - PLACE CONTRACTION OR CONTRACTION JOINT ON CENTERLINE WHEN WIDTH OF DRIVEWAY EXCEEDS 15'.
 - PLACE 1/2" PAPER EXPANSION JOINTS ON BOTH SIDES OF RESIDENTIAL DRIVEWAYS. IF DRIVEWAY EDGE IS WITHIN 2' OF LOT LINE, PLACE THIS EXPANSION PAPER AT PROPERTY LINE.

- GENERAL CONSTRUCTION NOTES**
- SODDED AREAS THAT MAY BE DISTURBED DURING INSTALLATION ARE TO BE RESTORED WITH 3" OF QUALITY TOP SOIL, SEED AND MULCH
 - MAINTAIN A MINIMUM 18" CLEARANCE FROM ALL EXISTING PUBLIC UTILITIES
 - PROPOSED INSTALLATION TO BE PLACED AT A MINIMUM DEPTH OF 48", UNLESS OTHERWISE NOTED ON PLANS
 - SIDEWALK REMOVAL NECESSARY ON THIS PROJECT TO BE ACCOMPLISHED IN COMPLETE FLAGS AND REPLACED IN KIND PER JURISDICTIONAL SPECIFICATIONS
 - HARD SURFACE REMOVAL OF STREETS AND/OR DRIVEWAYS TO BE SAW CUT FULL DEPTH AND REPLACED IN KIND PER JURISDICTIONAL SPECIFICATIONS
 - CONTRACTOR TO FIELD VERIFY ALL EXISTING UTILITY LOCATIONS, INVERTS AND GRADES PRIOR TO STARTING CONSTRUCTION
 - EXCAVATIONS BELOW HARD SURFACES TO BE BACKFILLED WITH MDOT CLASS II GRANULAR MATERIAL IN 8" LAYERS, WELL COMPACTED TO 98% OF ITS MAXIMUM UNIT WEIGHT AT A MOISTURE CONTENT LESS THAN SATURATION
 - TEST HOLES TO BE CONSTRUCTED AS A 12" CYLINDRICAL HOLE. SOIL TO BE REMOVED USING A VACUUM TRUCK. HOLE TO BE BACKFILLED USING A GRANULAR MATERIAL TO THE BOTTOM OF THE EXISTING PAVEMENT. PAVEMENT TO BE REPLACED IN KIND PER MDOT SPECIFICATIONS

- RESTORATION NOTES:**
- PAVEMENT SHALL BE MILLED DOWN TO LOCATE NEAREST JOINTS, AT FULL LANE WIDTH.
 - CONCRETE RESTORATION SHALL BE PERFORMED AT FULL DEPTH, JOINT TO JOINT, AND AT LEAST (1) LANE IN WIDTH.
 - DOWEL ANCHORS SHALL BE INSTALLED AT 18" CENTERING TO THE INTO EXISTING PAVEMENT.
 - EXISTING ASPHALT SHALL BE MILLED DOWN TO CONCRETE BASE 1' BEYOND CONCRETE RESTORATION, AND 1' BEYOND THAT TO A DEPTH OF 1.5"
 - RESTORATION OF ASPHALT SHALL BE PERFORMED IN 2 LIFTS
 - FIRST LIFT SHALL CONSIST OF 2" OF MDOT 4E3 LEVELING MIX.
 - SECOND LIFT SHALL CONSIST OF 1.5" OF MDOT 5E3 SURFACING MIX, AND SHALL BRING RESTORATION TO GRADE

CITY OF DETROIT NOTES:

- NOTIFY THE CITY OF DETROIT ENGINEERING DEPARTMENT 24 HOURS PRIOR TO STARTING CONSTRUCTION
- ANY OPEN EXCAVATIONS ARE TO BE STEEL PLATED. IF EXCAVATIONS ARE IN THE PAVEMENT, THE PLATES ARE TO BE SPIKED AND RAMPED WITH COLD PATCH. CONTACT THE CITY OF DETROIT, CONTACT THE CITY OF DETROIT ENGINEERING DEPARTMENT TO INQUIRE ABOUT THE REQUIRED DEEP DETECTABLE PLATE TO BE USED AT THE SIDEWALK RAMPS.
- THE CITY OF DETROIT REQUIRES ALL CONCRETE WORK TO BE STAMPED WITH A CONTRACTORS IDENTIFICATION STAMP.
- SEE THE CITY OF DETROIT CONSTRUCTION SPECIFICATIONS MANUAL FOR STANDARDS THAT FIT YOUR SPECIFIC JOB NEEDS.



CONSTRUCTION SITE SAFETY IS THE RESPONSIBILITY OF THE CONTRACTOR. NEITHER THE OWNER NOR THE ENGINEER SHALL BE EXPECTED TO ASSUME ANY RESPONSIBILITY FOR SAFETY OF THE WORK, OF PERSONS ENGAGED IN THE WORK, OF ANY NEARBY STRUCTURES, OR OF ANY OTHER PERSONS.

CONTRACTOR TO FIELD VERIFY ALL EXISTING UTILITY LOCATIONS, INVERTS AND GRADES PRIOR TO STARTING CONSTRUCTION

CONTRACTOR TO FIELD VERIFY ALL EXISTING UTILITY LOCATIONS, INVERTS AND GRADES PRIOR TO STARTING CONSTRUCTION

CONTRACTOR TO FIELD VERIFY ALL EXISTING UTILITY LOCATIONS, INVERTS AND GRADES PRIOR TO STARTING CONSTRUCTION

THE LOCATIONS OF EXISTING UNDERGROUND UTILITIES ARE SHOWN IN AN APPROXIMATE WAY ONLY AND HAVE NOT BEEN INDEPENDENTLY VERIFIED. THE CONTRACTOR SHALL DETERMINE THE EXACT LOCATION OF ALL EXISTING UTILITIES BEFORE COMMENCING WORK, AND AGREES TO BE FULLY RESPONSIBLE FOR ANY AND ALL DAMAGES WHICH MAY BE OCCASIONED BY THE CONTRACTOR'S FAILURE TO EXACTLY LOCATE AND PRESERVE ANY AND ALL UNDERGROUND UTILITIES.

811 Know what's below. Call before you dig.

ike SMART CITY

250 N HARTFORD AVE
COLUMBUS, OHIO 43222
PHONE: 614.589.0087

MES METRO ENGINEERING SOLUTIONS

22300 Hagerly Rd, Northville, MI 48167



January 8, 2026
CONTRACTOR / AS-BUILT

REV.	DATE:	ISSUED FOR:

SITE NAME:
**DET-058
W VERNOR &
MICHIGAN AVE**

JOB: 1035-25-2747_DS

DRAW DATE: 01/08/26

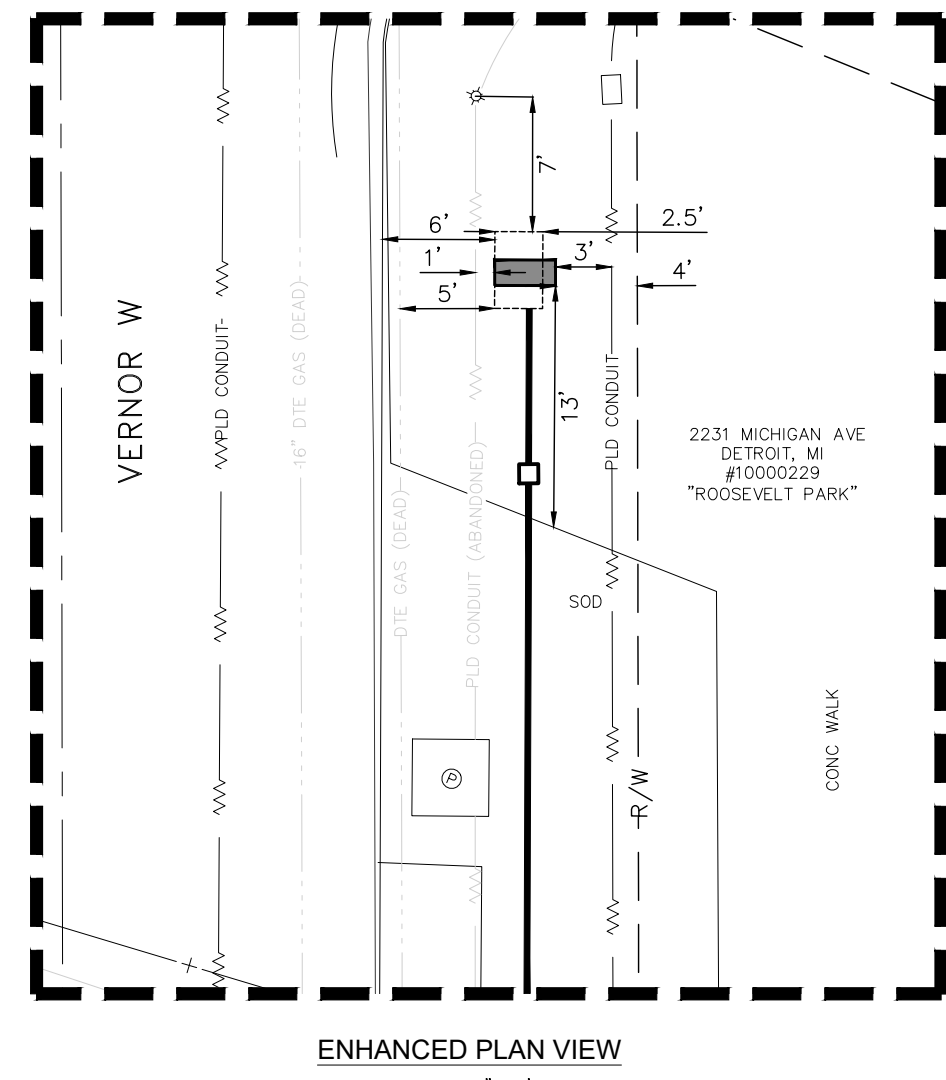
PLOT DATE: 01/08/26

DRAWN BY: RLS

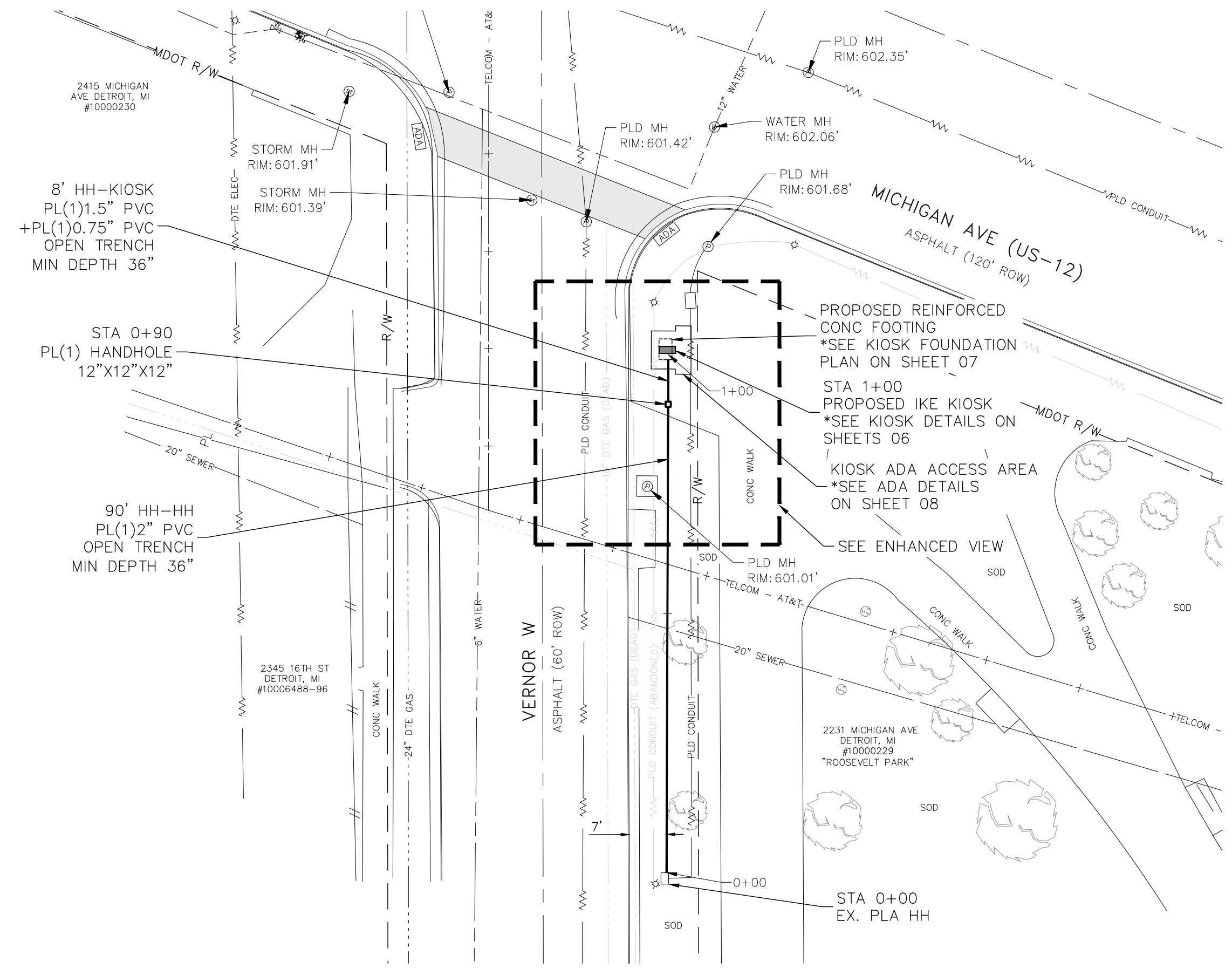
TITLE: DETROIT SPECS

SHEET: 03 OF 10

K:\1035 - Non DTE - Designs\1035-IKE\Detroit Market\1035-25-2747_DS.dwg; 1/8/2026 1:46 PM;



ENHANCED PLAN VIEW
SCALE 1"=10'

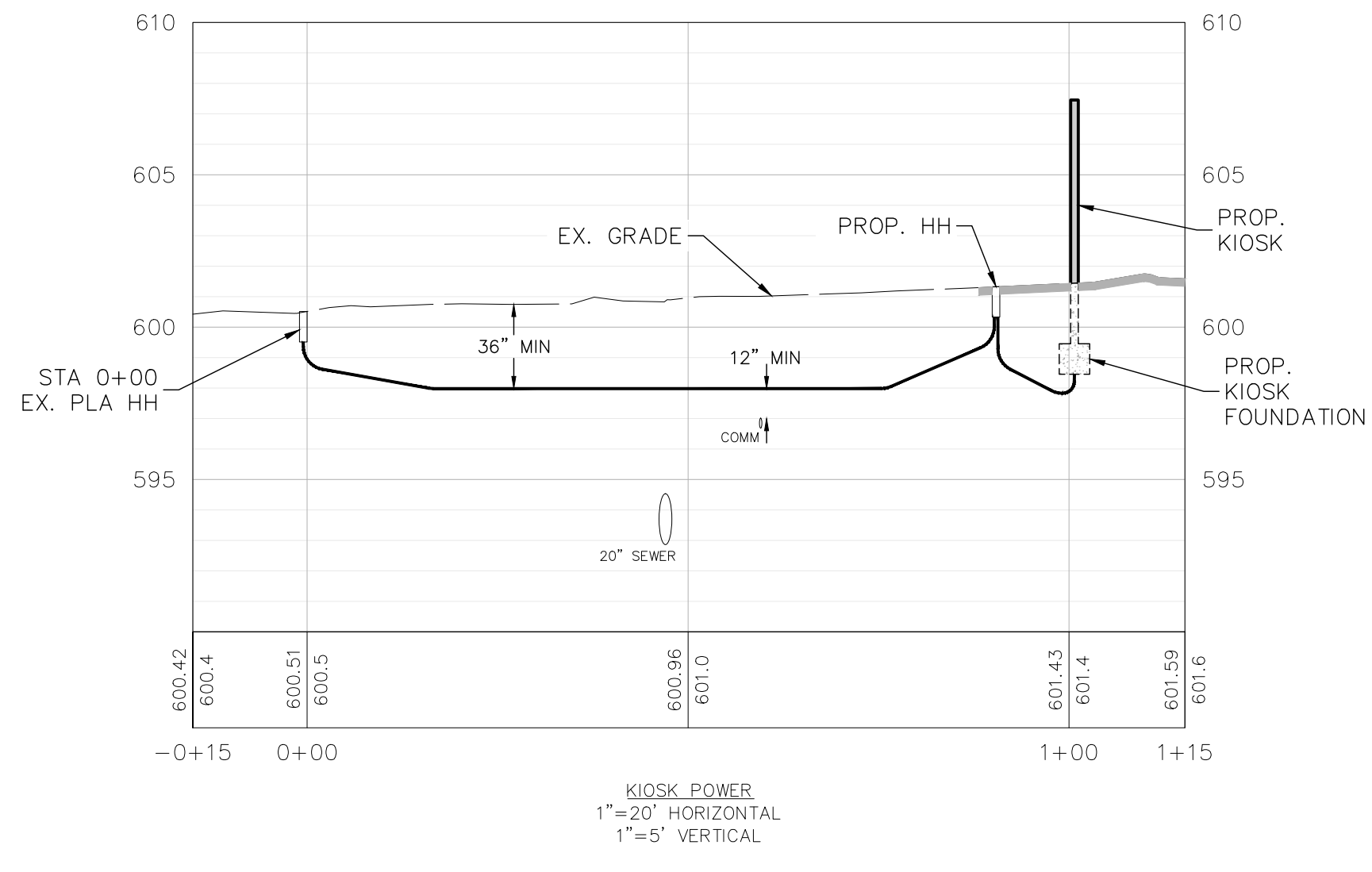
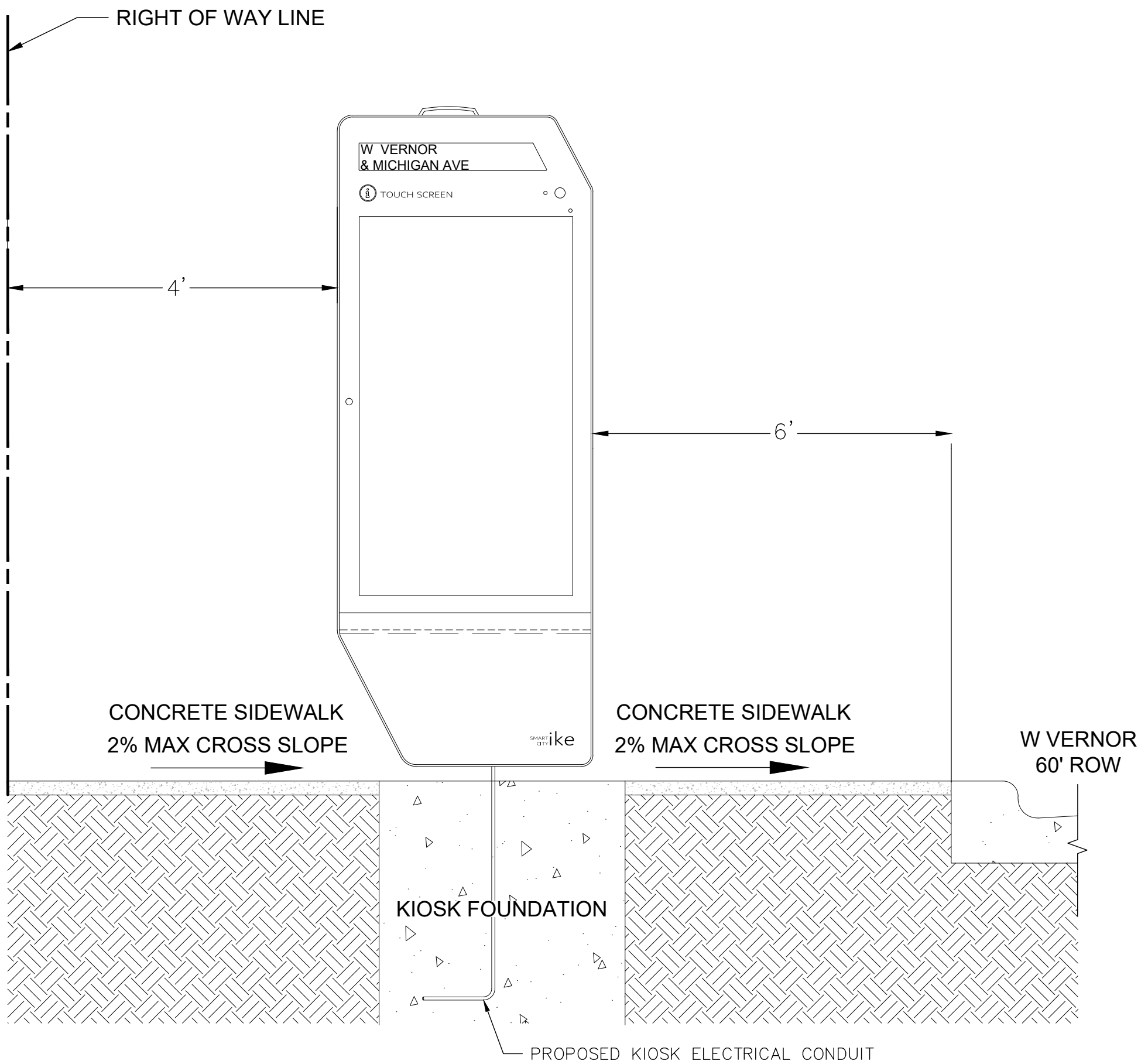


PLAN VIEW
SCALE 1"=20'

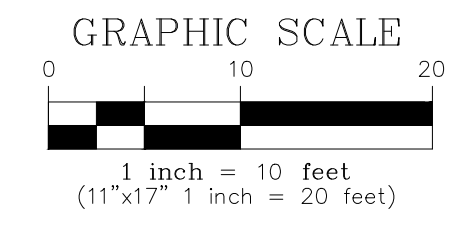
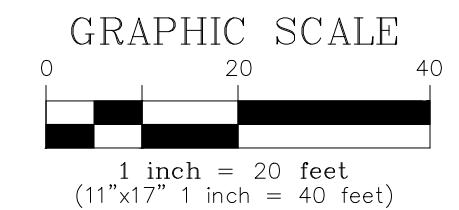
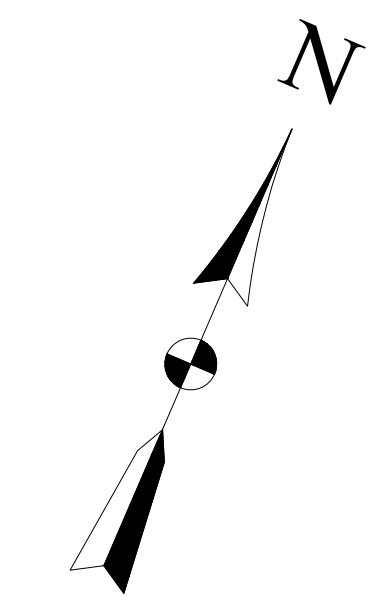
LEGEND

	EX. SPOT ELEVATION
	EX. CONTOUR
	EX. WETLAND LIMITS
	EX. RIGHT OF WAY
	EX. EASEMENT LINE
	EX. DITCH
	EX. CURB/PAVEMENT
	RR TRACK
	EX. FENCE
	EX. GRAVEL
	EX. GUARDRAIL
	EX. TREELINE
	EX. WATER MAIN
	EX. WATER VALVE
	EX. HYDRANT
	EX. WATER MANHOLE
	EX. WELL
	EX. WATER METER
	EX. STORM SEWER
	EX. STORM INLET/CATCH BASIN
	EX. ROUND STORM CATCH BASIN
	EX. STORM MANHOLE
	EX. STORM END SECTION
	EX. SANITARY SEWER
	EX. SANITARY MANHOLE
	EX. UNDERGROUND GAS
	EX. GAS VALVE
	EX. OVERHEAD ELECTRIC
	EX. UNDERGROUND ELECTRIC
	EX. UNDERGROUND CABLE
	EX. UNDERGROUND TELE
	EX. TELEPHONE MANHOLE
	EX. ELECTRIC MANHOLE
	EX. ELECTRIC METER
	EX. GAS METER
	EX. LIGHT POLE
	EX. TRAFFIC SIGNAL BOX
	EX. UNIDENTIFIED MANHOLE
	EX. COMBO MANHOLE
	EX. TRAFFIC SIGNAL POLE
	EX. UTILITY POLE
	EX. GUY WIRE
	EX. TREE (CONIFEROUS)
	EX. TREE (DECIDUOUS)
	EX. UTILITY CABINET
	EX. SIGN
	EX. MAILBOX
	FOUND IRON PIPE
	FOUND IRON ROD
	FOUND PK NAIL
	FOUND CONC. MONUMENT
	SET IRON ROD
	SET MAO NAIL
	EX. SECTION CORNER
	PROP IKE UNDG INSTALL
	PROP IKE KIOSK & FOUNDATION

**KIOSK ORIENTATION PLAN
(NOT TO SCALE)**



KIOSK POWER
1"=20' HORIZONTAL
1"=5' VERTICAL



ike SMART CITY
250 N HARTFORD AVE
COLUMBUS, OHIO 43222
PHONE: 614.589.0087

MES METRO ENGINEERING SOLUTIONS
22300 Haggerty Rd, Northville, MI 48167



January 8, 2026
CONTRACTOR/AS-BUILT

ISSUED FOR:	
DATE:	
REV:	

SITE NAME:
**DET-058
W VERNOR &
MICHIGAN AVE**

JOB: 1035-25-2747_DS

DRAW DATE: 01/08/26

PLOT DATE: 01/08/26

DRAWN BY: RLS

TITLE: PLAN VIEW

SHEET: 04 OF 10

CONSTRUCTION SITE SAFETY IS THE RESPONSIBILITY OF THE CONTRACTOR. NEITHER THE OWNER NOR THE ENGINEER SHALL BE EXPECTED TO ASSUME ANY RESPONSIBILITY FOR SAFETY OF THE WORK, OF PERSONS ENGAGED IN THE WORK, OF ANY NEARBY STRUCTURES, OR OF ANY OTHER PERSONS.
COPYRIGHT © 2025 METRO ENGINEERING SOLUTIONS; ALL RIGHTS RESERVED.

THE LOCATIONS OF EXISTING UNDERGROUND UTILITIES ARE SHOWN IN AN APPROXIMATE WAY ONLY AND HAVE NOT BEEN INDEPENDENTLY VERIFIED. THE CONTRACTOR SHALL DETERMINE THE EXACT LOCATION OF ALL EXISTING UTILITIES BEFORE COMMENCING WORK, AND AGREES TO BE FULLY RESPONSIBLE FOR ANY AND ALL DAMAGES WHICH MIGHT BE OCCASIONED BY THE CONTRACTOR'S FAILURE TO EXACTLY LOCATE AND PRESERVE ANY AND ALL UNDERGROUND UTILITIES.



K:\1035 - Non DTE - Designs\1035-IKE\Detroit Market\1035-25-2747_Vernor & Michigan Ave (DET-058)\DWG\1035-25-2747_DS.dwg; 1/8/2026 1:46 PM;



January 8, 2026

CONTRACTOR/AS-BUILT

ISSUED FOR:	DATE:	REV:

SITE NAME:
**DET-058
W VERNOR &
MICHIGAN AVE**

JOB: 1035-25-2747_DS

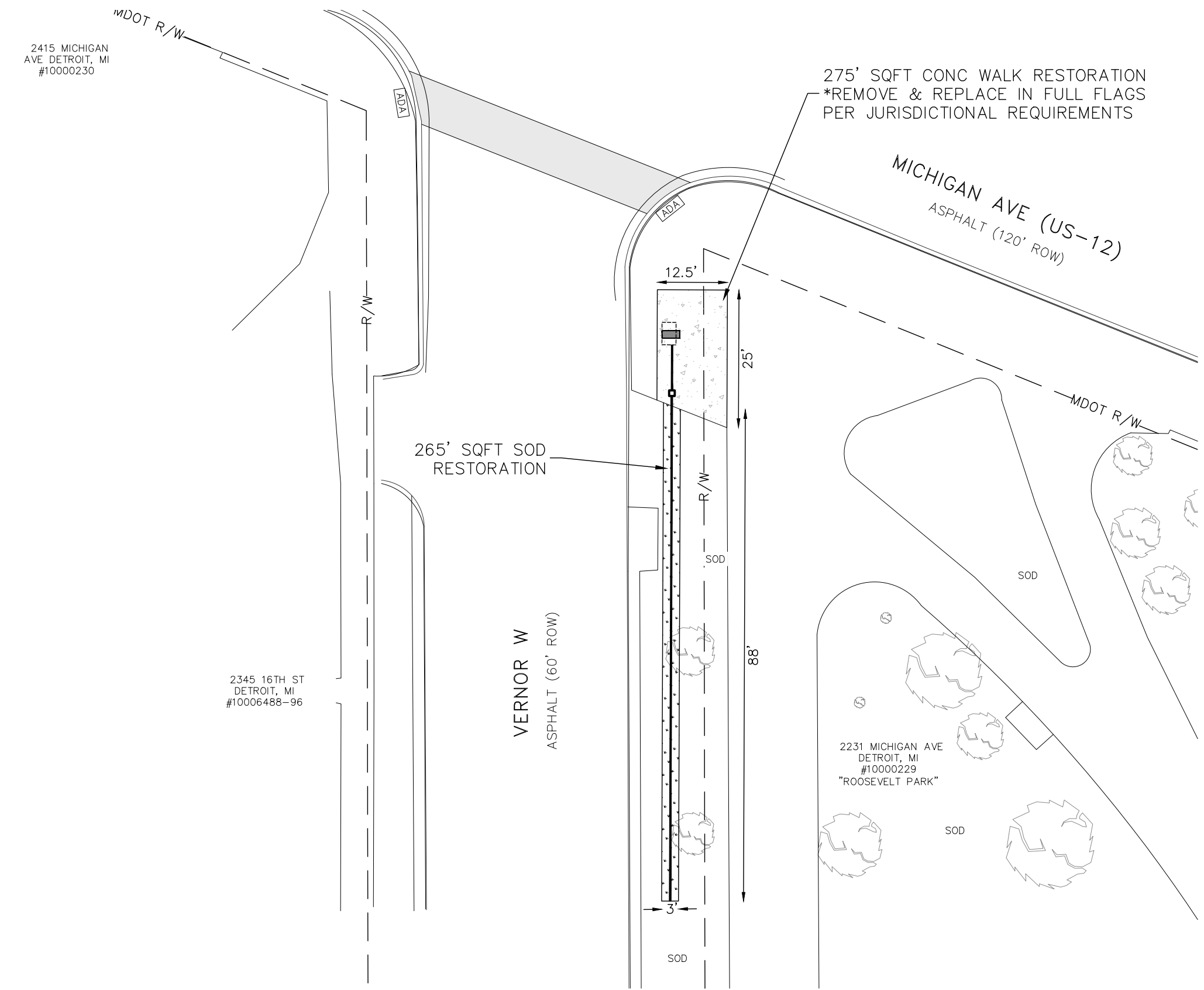
DRAW DATE: 01/08/26

PLOT DATE: 01/08/26

DRAWN BY: RLS

TITLE: RESTORATION

SHEET: 05 OF 10



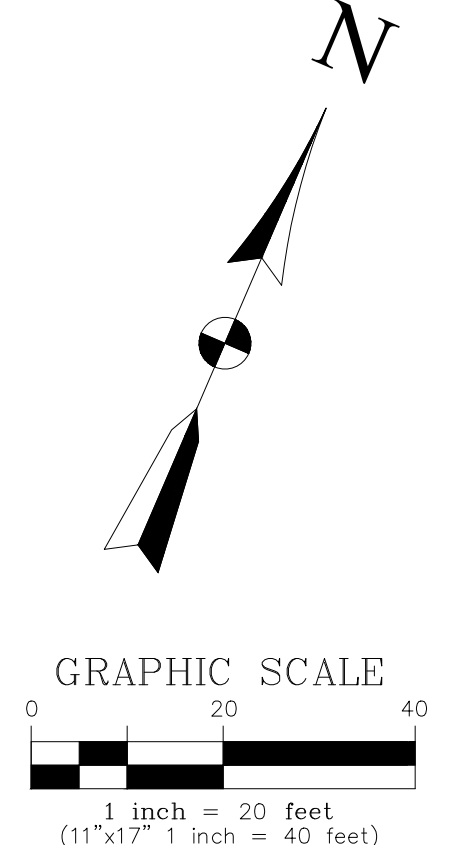
RESTORATION PLAN VIEW
SCALE 1"=20'

SIDEWALKS AND ENTRANCES TO BUILDINGS, REAL PROPERTY, AND THE LIKE SHALL NOT BE BLOCKED EXCEPT FOR SHORT DURATIONS (LESS THAN 10 MINUTES AT A TIME), ONLY IN COORDINATION WITH PROPERTY OWNERS / RESIDENTS. PEDESTRIAN ACCESS SHALL BE MAINTAINED AT ALL TIMES TO EACH PROPERTY. IT IS THE RESPONSIBILITY OF THE CONTRACTOR TO COORDINATE ALL NECESSARY SIDEWALK CLOSURES AT LEAST 24 HOURS IN ADVANCE WITH THE PROPERTY OWNERS / RESIDENT IN THE AFFECTED AREAS OF CONSTRUCTION.

RESTORATION LEGEND & SUMMARY

- CONCRETE SUB GRADE TO NEAREST JOINT
SAW CUT & REMOVE: 000 SQ FT
- CONCRETE SIDEWALK REMOVE & REPLACE: 275 SQ FT
- ASPHALT STREET SAW CUT & RESTORATION: 000 SQ FT
- SOD RESTORATION: 265 SQ FT
- CURB & GUTTER RESTORATION: 000 LF FT

- RESTORATION NOTES:
1. RESTORE PAVEMENT MARKINGS AS REQUIRED
 2. RESTORE IN QUANTITIES SUFFICIENT TO ADHERE TO CITY OF DETROIT PAVEMENT SPECIFICATIONS.



CONSTRUCTION SITE SAFETY IS THE RESPONSIBILITY OF THE CONTRACTOR. NEITHER THE OWNER NOR THE ENGINEER SHALL BE EXPECTED TO ASSUME ANY RESPONSIBILITY FOR SAFETY OF THE WORK, OF PERSONS ENGAGED IN THE WORK, OF ANY NEARBY STRUCTURES, OR OF ANY OTHER PERSONS.
COPYRIGHT © 2025 METRO ENGINEERING SOLUTIONS; ALL RIGHTS RESERVED.

THE LOCATIONS OF EXISTING UNDERGROUND UTILITIES ARE SHOWN IN AN APPROXIMATE WAY ONLY AND HAVE NOT BEEN INDEPENDENTLY VERIFIED. THE CONTRACTOR SHALL DETERMINE THE EXACT LOCATION OF ALL EXISTING UTILITIES BEFORE COMMENCING WORK, AND AGREES TO BE FULLY RESPONSIBLE FOR ANY AND ALL DAMAGES WHICH MIGHT BE OCCASIONED BY THE CONTRACTOR'S FAILURE TO EXACTLY LOCATE AND PRESERVE ANY AND ALL UNDERGROUND UTILITIES.



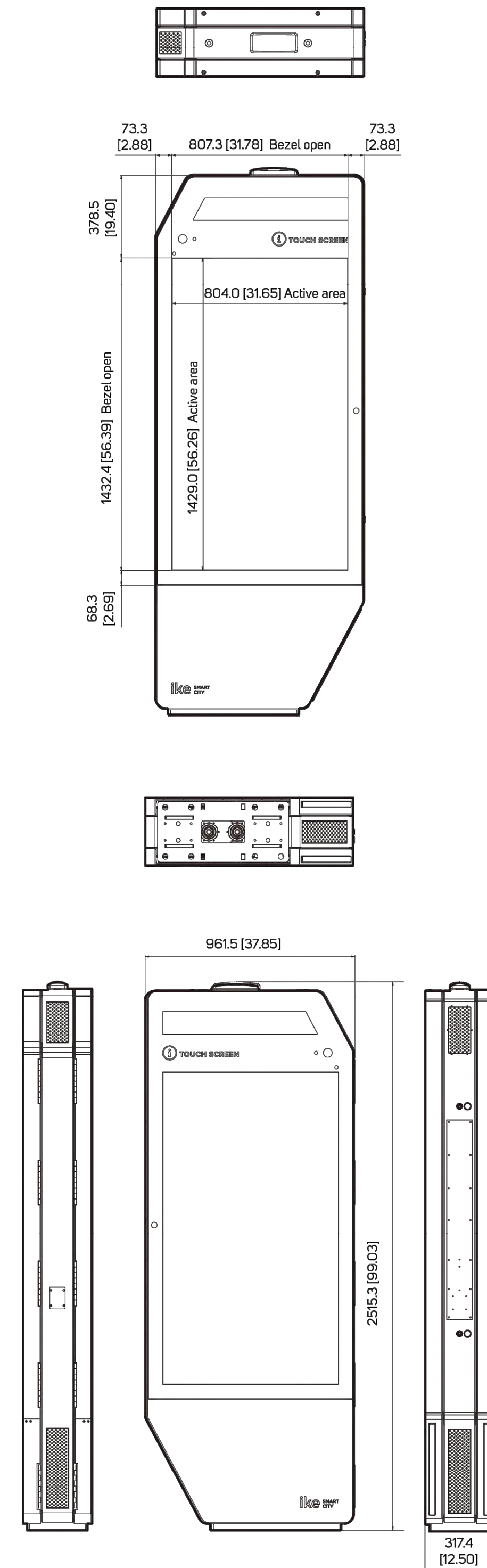
K:\1035 - Non DTE - Designs\1035-IKE\Detroit Market\1035-25-2747_W Vernor & Michigan Ave (DET-058)\DWG\1035-25-2747_DS.dwg; 1/8/2026 1:46 PM;

SPECIFICATION

MODEL	C10651DR5	
DISPLAY	LCD Panel Size	65 inches LCD (x2)
	Native Resolution	1920 x 1080
	Backlight	LED
	Default Color Temperature	D65 (6500 K)
	Brightness (w/o glass)	4,000 nits
	Color Depth	10 bits
	Contrast Ratio	4000:1
	Response Time (Typ.)	8 ms
	Viewing Angle	178° / 178°
	Light Lifetime (Typ.)	100,000 hrs
	Blackening Defect Free	Up to 110°C (230°F)
	Polarized Sunglasses Support	Yes
	Panel Surface	AG Haze 3%, 2H
POWER	Power Supply	Internal
	Rated Voltage	100-240V ~ 50/60Hz
	Power On Mode (Typ./Max)	985 W / 1500 W
MECHANICAL SPECS	Bezel Width (B/L/R)	68.3 / 73.3 / 73.3 mm
	Powder Coating Material	ASTM B117, Anti-graffiti Coating
	Monitor Dimension (LxHxD)	2515.3 x 961.5 x 317.4 mm
	Monitor Weight	820 lbs
	Option Weight	832 lbs
	Touch Screen	PCAP
	Orientation	Portrait
	Key Lock	Yes
	Air Vent	Top & Bottom
	Glass	8mm laminated tempered glass
USER INTERFACE	Language	English
	Support SNMP (Up to V3.0)	Yes
	Dimming Control	Yes
	Image Retention Protection	Yes
	Ambient Light Sensor	Yes
	Power On/Off Scheduling	Yes
	Internal Temperature Sensor	Yes
INPUT	HDMI	x6 (2160p)
	Display Port	x2
	USB 3.0	x2
	Micro SD Slot	x2
OUTPUT	Audio	x2
EXTERNAL CONTROL	RS-232	In x2
	RJ-45	x4 (LAN)
ENVIRONMENT	Operating Temperature	-20° F ~ 120° F (-30° C ~ 50° C)
	Storage Temperature	-4° F ~ 140° F (-20° C ~ 60° C)
	Humidity	5% ~ 95% RH Non-condensing
	Noise Levels	< 65 dB at a height of 60 inches and distance of 24 inches
CERTIFICATION	CE / FCC / RoHS	
UPGRADE ITEM	Anti-graffiti Coating	
	Pi4	
	4K Camera kit	
	Player with pre-image	
OPTIONAL ITEM	LED ticker: CLM019	

DIMENSIONS

Unit: mm [inch]



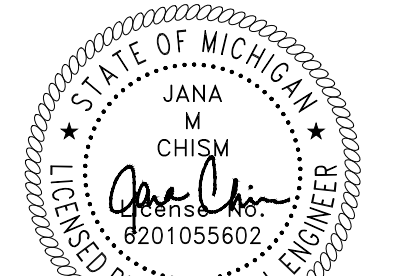
DynaScan

CONCEPTUAL RENDERING LOOKING NORTHEAST



ike SMART CITY

250 N HARTFORD AVE
COLUMBUS, OHIO 43222
PHONE: 614.589.0087



January 8, 2026

CONTRACTOR / AS-BUILT

ISSUED FOR:

DATE:

REV:

SITE NAME:
DET-058
W VERNOR &
MICHIGAN AVE

JOB: 1035-25-2747_DS

DRAW DATE: 01/08/26

PLOT DATE: 01/08/26

DRAWN BY: RLS

TITLE: IKW KIOSK SPECS

SHEET: 06 OF 10

CONSTRUCTION SITE SAFETY IS THE RESPONSIBILITY OF THE CONTRACTOR. NEITHER THE OWNER NOR THE ENGINEER SHALL BE EXPECTED TO ASSUME ANY RESPONSIBILITY FOR SAFETY OF THE WORK, OF PERSONS ENGAGED IN THE WORK, OF ANY NEARBY STRUCTURES, OR OF ANY OTHER PERSONS.
COPYRIGHT © 2025 METRO ENGINEERING SOLUTIONS; ALL RIGHTS RESERVED.

THE LOCATIONS OF EXISTING UNDERGROUND UTILITIES ARE SHOWN IN AN APPROXIMATE WAY ONLY AND HAVE NOT BEEN INDEPENDENTLY VERIFIED. THE CONTRACTOR SHALL DETERMINE THE EXACT LOCATION OF ALL EXISTING UTILITIES BEFORE COMMENCING WORK, AND AGREES TO BE FULLY RESPONSIBLE FOR ANY AND ALL DAMAGES WHICH MIGHT BE OCCASIONED BY THE CONTRACTOR'S FAILURE TO EXACTLY LOCATE AND PRESERVE ANY AND ALL UNDERGROUND UTILITIES.



Know what's below.
Call before you dig.

GENERAL STRUCTURAL NOTES

- All work shall be performed in accordance with the contract documents. In case of a conflict within the contract documents, the more stringent condition shall govern, unless directed otherwise by the engineer of record. Prior to implementation, any discrepancies shall be reported to the architect for clarification.
- In the event that certain details of construction are not indicated or noted in the drawings, details for similar conditions that are indicated or noted shall be utilized, subject to the structural engineer's approval.
- Openings and penetrations through structural elements, and items embedded in structural elements that are not indicated in the structural drawings shall be reviewed by the structural engineer prior to fabrication, erection and/or construction.
- The structure has been designed for the in-service loads only. The methods, procedures and sequences of construction are the responsibility of the contractor. Contractor shall take all necessary precautions to maintain and ensure the integrity of the structure at all stages of construction. Contractor shall immediately notify the structural engineer of any condition which, in his opinion, might endanger the stability of the structure or cause distress in the structure.
- All existing conditions and all related dimensions indicated in the contract documents shall be field verified prior to fabrication, erection and/or construction. Any condition that differs from that indicated in the contract documents shall be submitted to the architect for review prior to fabrication, erection and/or construction.
- The structure has been designed to meet or exceed serviceability requirements of section 1604.3 of the International Building Code. All non-structural components & their connections that are anchored to the structure shall be designed to allow for the movement of the structure caused by wind, snow, live, thermal, shrinkage/creep and earthquake loads. Non-structural components include items such as non-load bearing walls, MEP components, bulkheads, etc.
- Provide special inspection in accordance with chapter 17 of the International Building Code and with project specifications.
- Unless noted otherwise, all loads specified in these documents are nominal loads and are to be entered into the appropriate strength or allowable stress design load combinations with appropriate factors, as defined by ASCE 7, by the building component engineer in the design of their product. Gravity load shear beam reactions on plan for steel framing represent the combined service load effect from allowable stress design load combinations.

GENERAL FOUNDATION AND CONCRETE NOTES

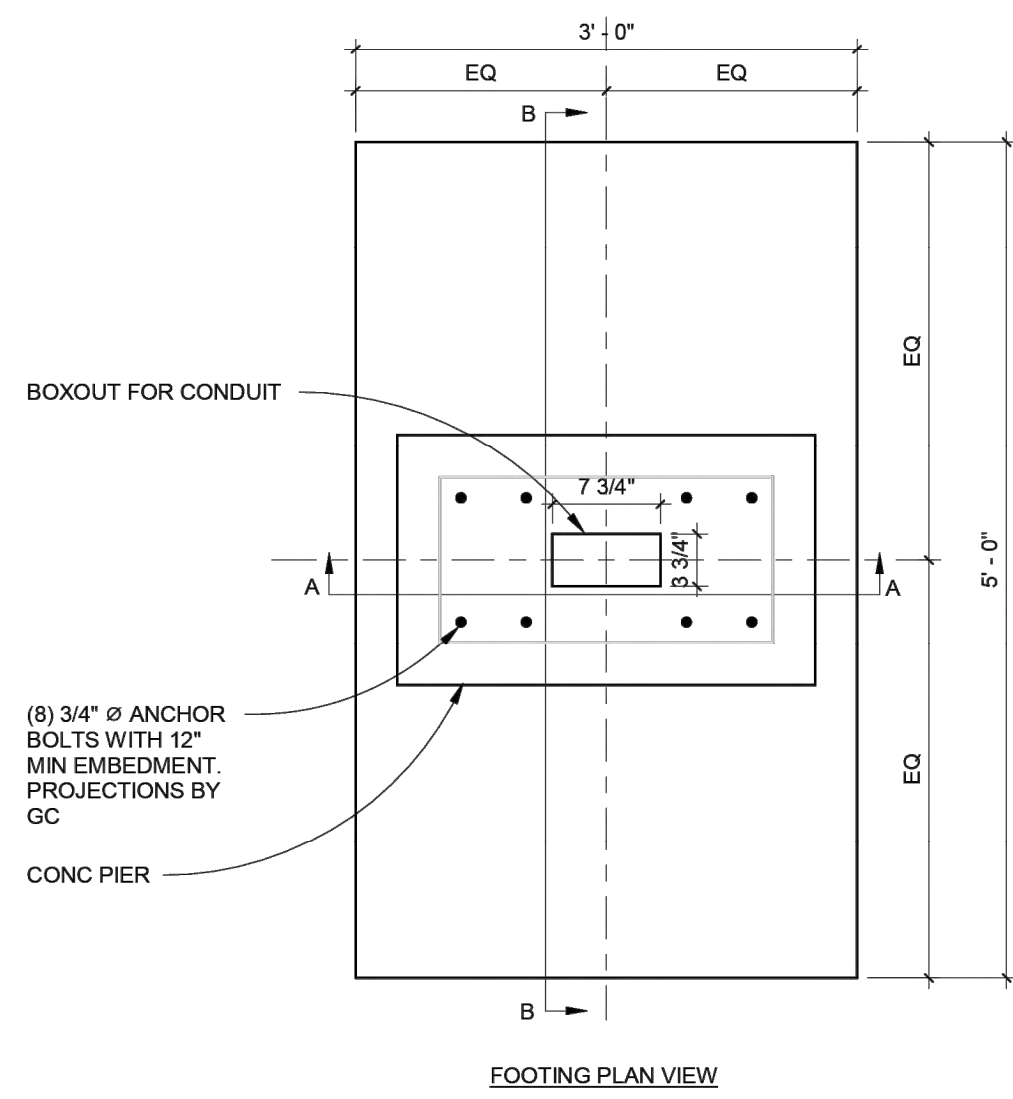
- A registered geotechnical engineer shall be retained to confirm that the soils at the site are capable of the design soil bearing pressure. This will require a report by the geotechnical engineer. (Quantity, depth, and location of soil borings shall be at the discretion of the geotechnical engineer) The contractor shall implement all requirements and recommendations stated in this report.
- It is strongly recommended that the geotechnical engineer of record that produces the report be retained to provide the soils testing and inspections during construction.
- Fill material shall be thoroughly compacted prior to placement of concrete. Fill under all slabs on grade shall be as recommended in the geotechnical report. If there is no geotechnical report, a minimum of 6" of well draining granular material shall be placed under all slabs on grade (UNO elsewhere in the construction documents).
- Coordinate finish of all foundation work, including slabs on grade, with architectural and flooring supplier's requirements.
- Cover for reinforcing shall be in accordance with ACI-318.
- All exposed edges of concrete piers, beams, and walls shall be chamfered 3/4" x 45 degrees. UNO
- Coordinate placement of KIOSK anchor rods with foundation reinforcing. All column anchor rods shall be installed using templates and setting drawings. No tilted or misplaced bolts will be accepted. Notify Architect/Engineer for approval of any corrective action. Tolerances for the installation of the anchor bolts shall be in accordance with AISC "Code of Standard Practices" guidelines.
- Anchors for embedded plates shall be as shown on the drawings. Headed studs shall conform to ASTM A108 and AWS D1.1 Grade B. Reinforcing bars to be welded to plates shall be ASTM A615 Grade 40 or ASTM A706 Grade 60.
- Refer to "General Structural Notes" for information regarding special inspections and installation of post installed anchors.

CONCRETE NOTES

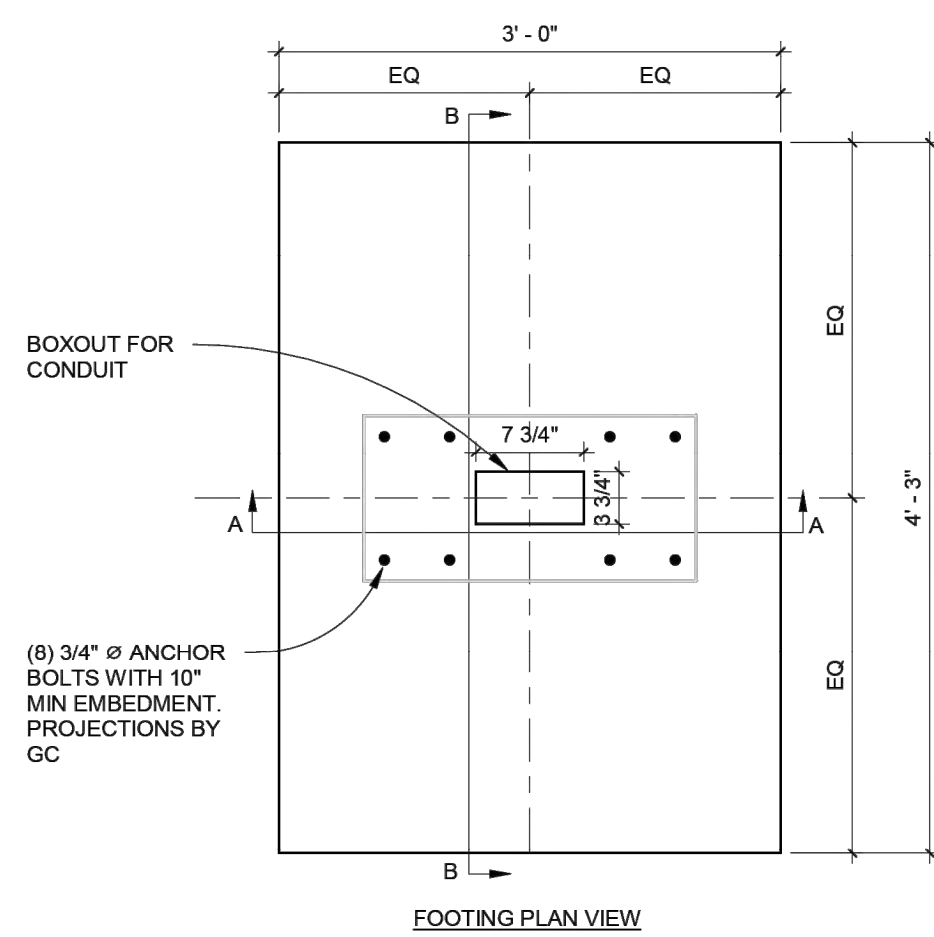
- All concrete shall be done in accordance with ACI 117, 211, 301, 302, 315, 347 and 318 requirements, and as stated on contract documents.
- Coordinate finish of exposed concrete with Architect.
- Testing of concrete shall be provided for each KIOSK foundation and pier installed, and shall include but is not limited to slump, air content concrete temperature, unit weight, and compressive strength. All testing shall follow ASTM standards.
- Admixtures shall contain no more than 0.1 percent water-soluble chloride ions by mass of cementitious material. Do not use admixtures containing calcium chloride.
 - Water-Reducing Admixture: ASTM C494, Type A
 - High-Range, Water-Reducing Admixture: ASTM C494, Type F
 - Water-Reducing and Accelerating Admixture: ASTM C494, Type E
 - Water-Reducing and Retarding Admixture: ASTM C494, Type D
 - Air-Entraining Admixture: ASTM C260
- Repair and patch defective areas as directed by Architect.

ENGINEERING DATA

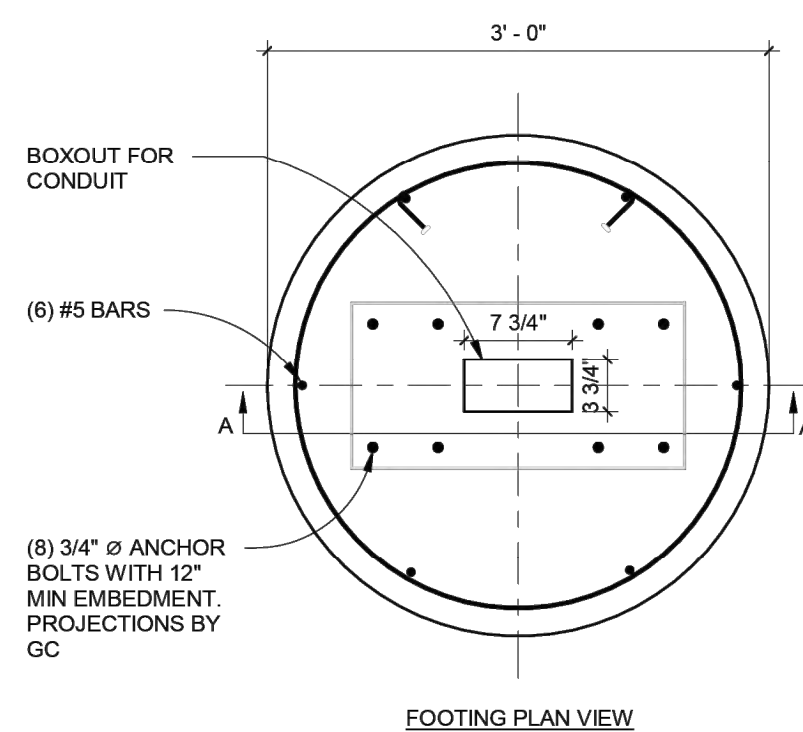
Design soil bearing pressure	1000 psf (assumed)
Design stresses	
Concrete	
Footings and Foundations	$f_c = 3500$ psi
Grade slabs	$f_c = 3500$ psi
Reinforcing steel	$F_y = 60000$ psi
Structural design requirements	
Risk Category	I
Wind Load	
Ultimate design wind speed (3 sec)	120 mph
Wind exposure category	C
Signage pressure coeff (GCF)	1.35
Components & cladding (varies)	
Signage design pressure	27 psf
Seismin Design Category	A or B (assumed)
Specific Design Loads	
Kiosk dead load	800 lb
Design codes	
General building code	IBC 2015
Concrete	ACI 318



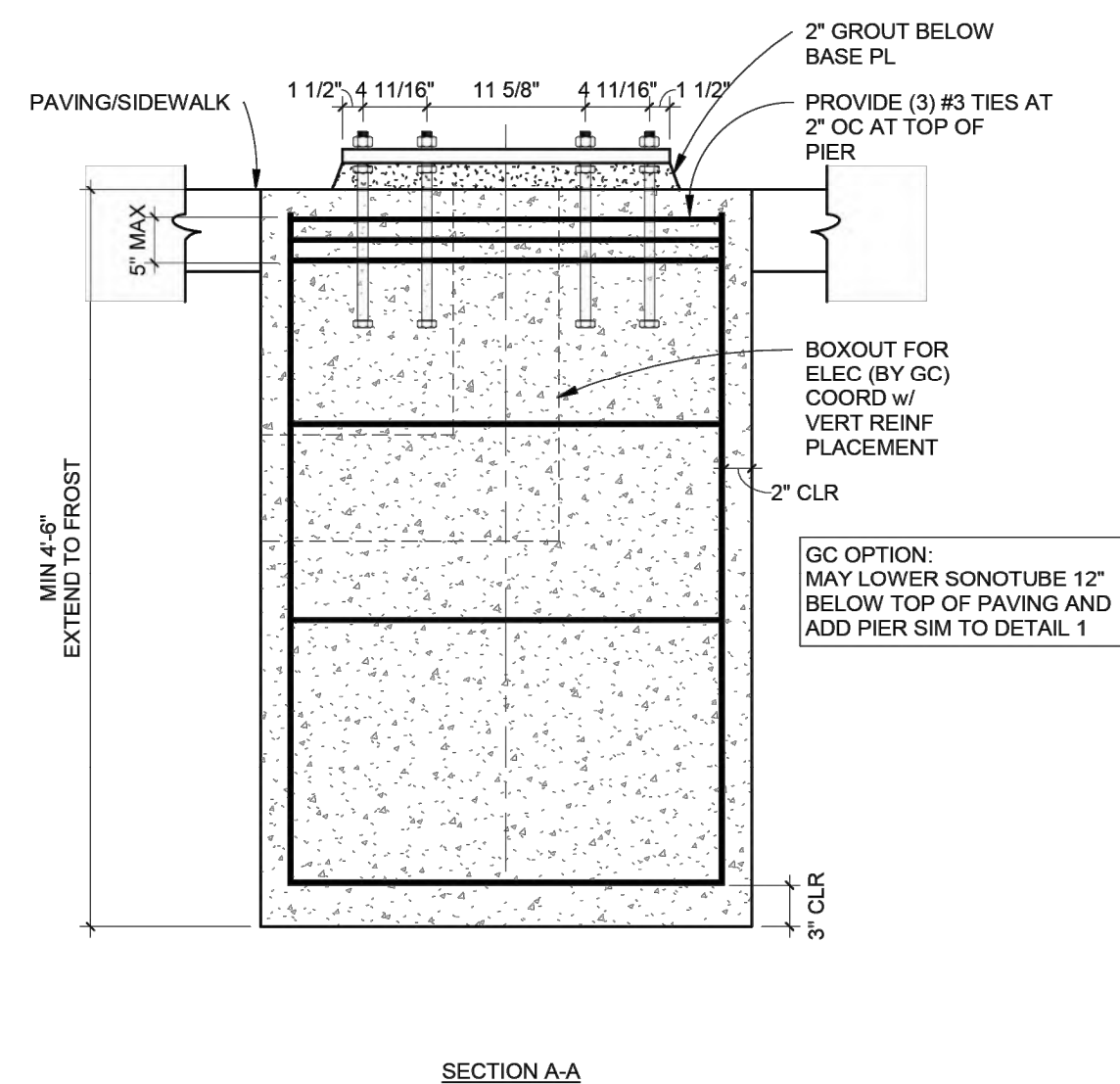
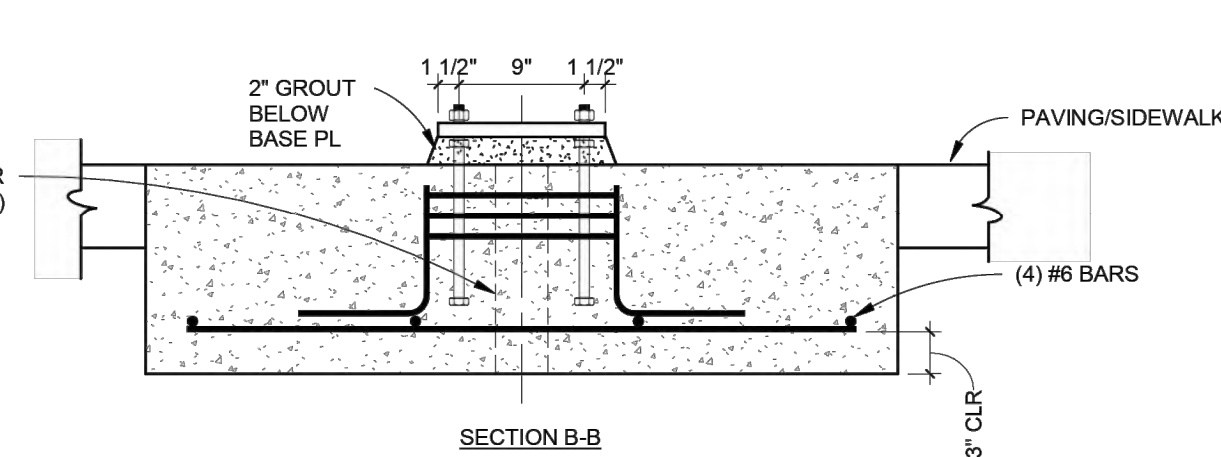
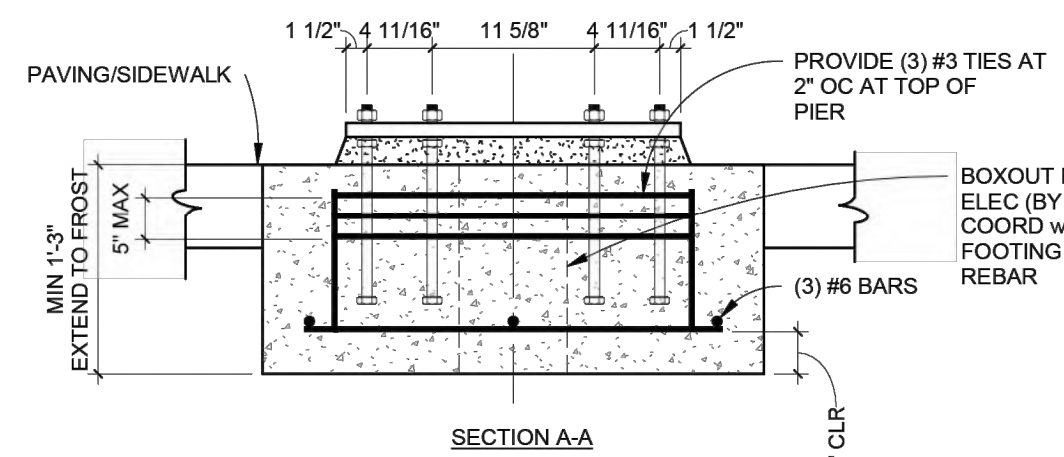
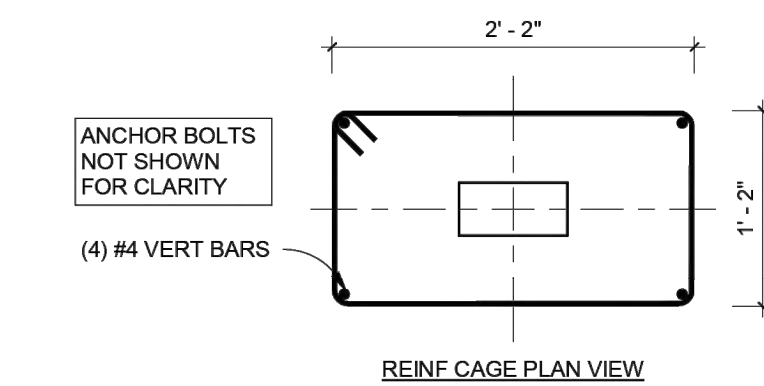
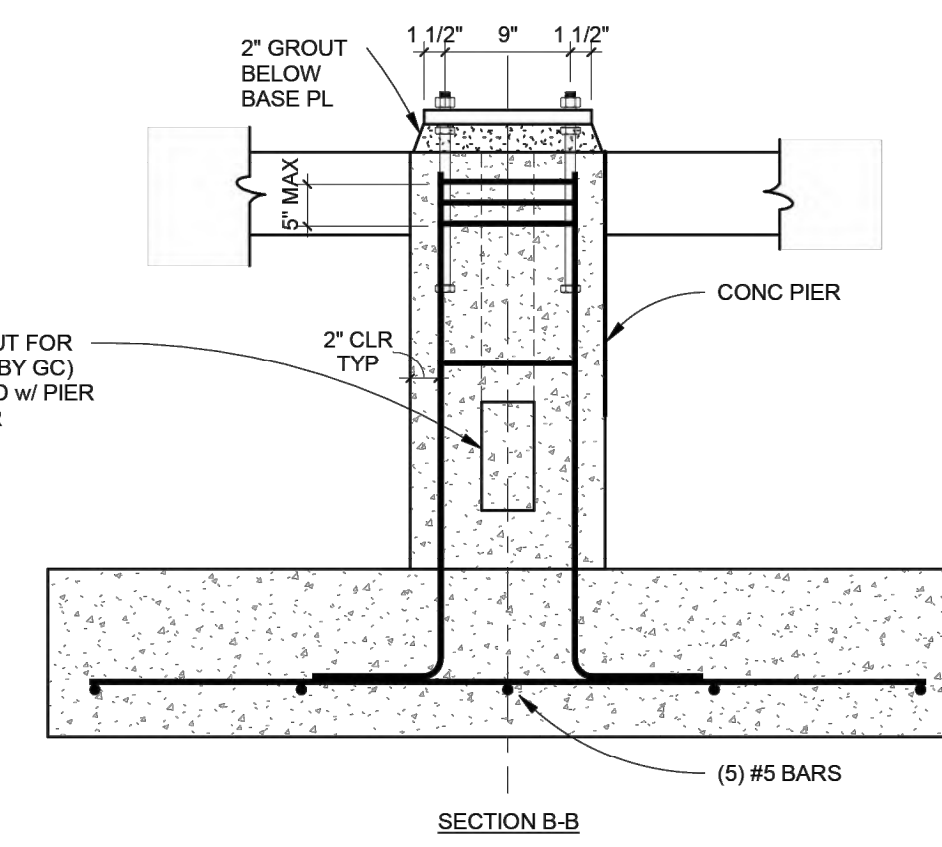
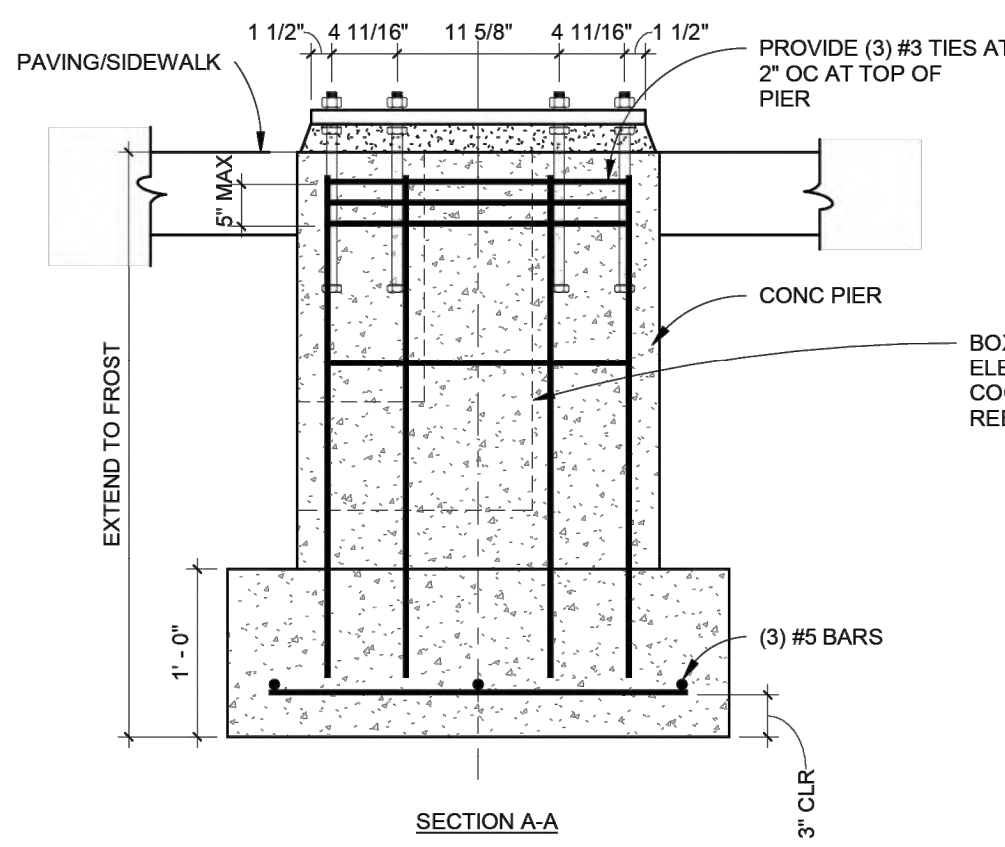
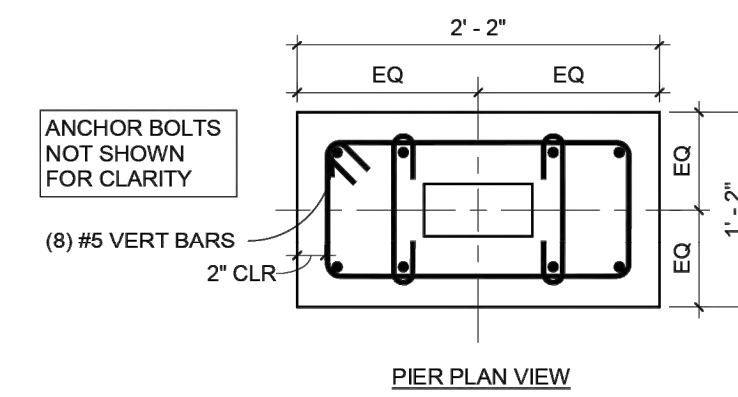
1
S101
OPTION 1 SPREAD FOOTING WITH PIER
SCALE: 1" = 1'-0"



2
S101
OPTION 2 SHALLOW SPREAD FOOTING
SCALE: 1" = 1'-0"



3
S101
OPTION 3 SONOTUBE
SCALE: 1" = 1'-0"



IKE SmartCity Kiosks

KIOSK FOUNDATION OPTIONS

ISSUED FOR CONSTRUCTION	
DATE	04.19.2022

DRAWN BY: MF

PROJECT NUMBER:
2022-03-015

SHEET NUMBER:

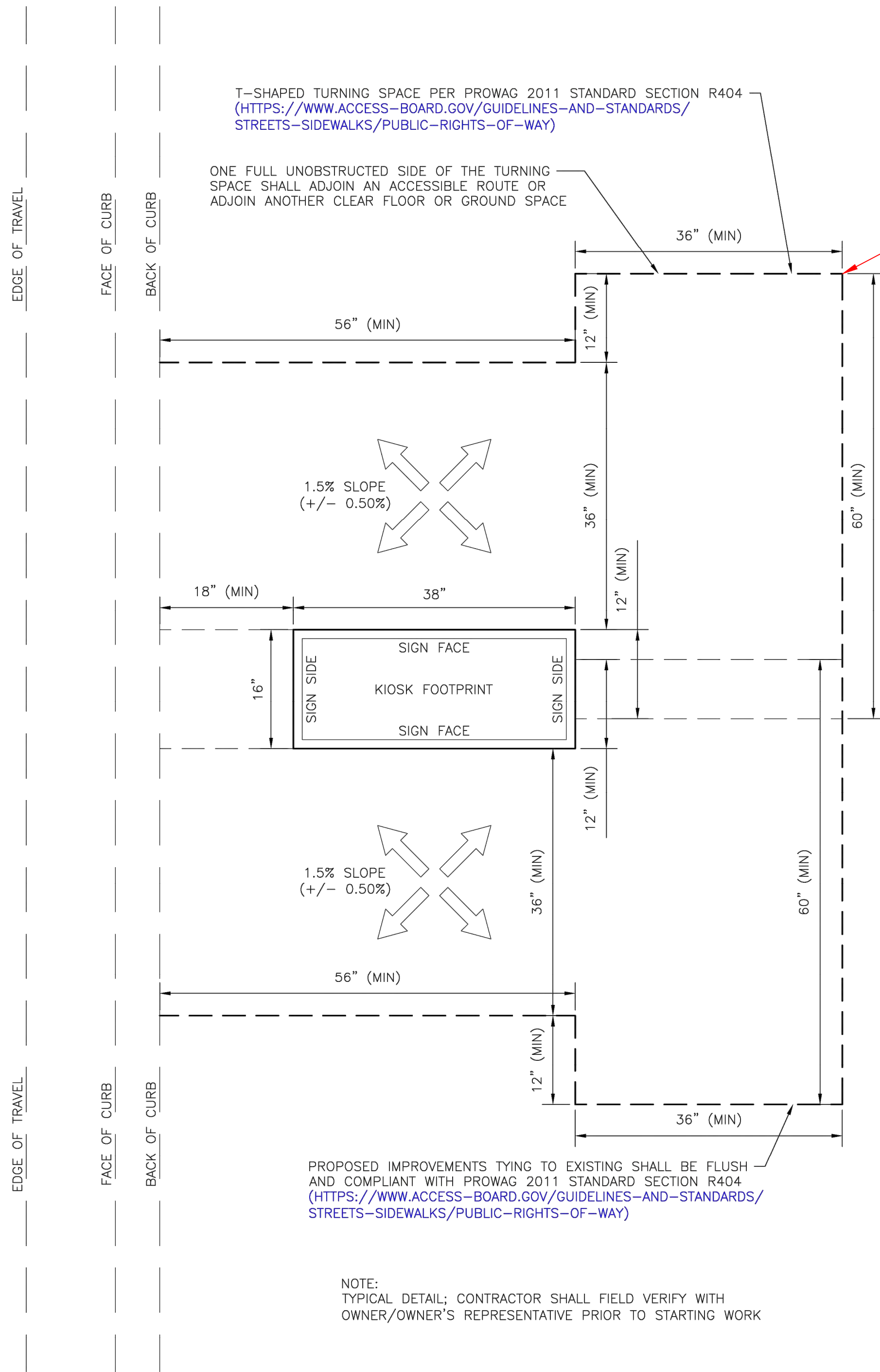
S101

ADA ACCESS AREA

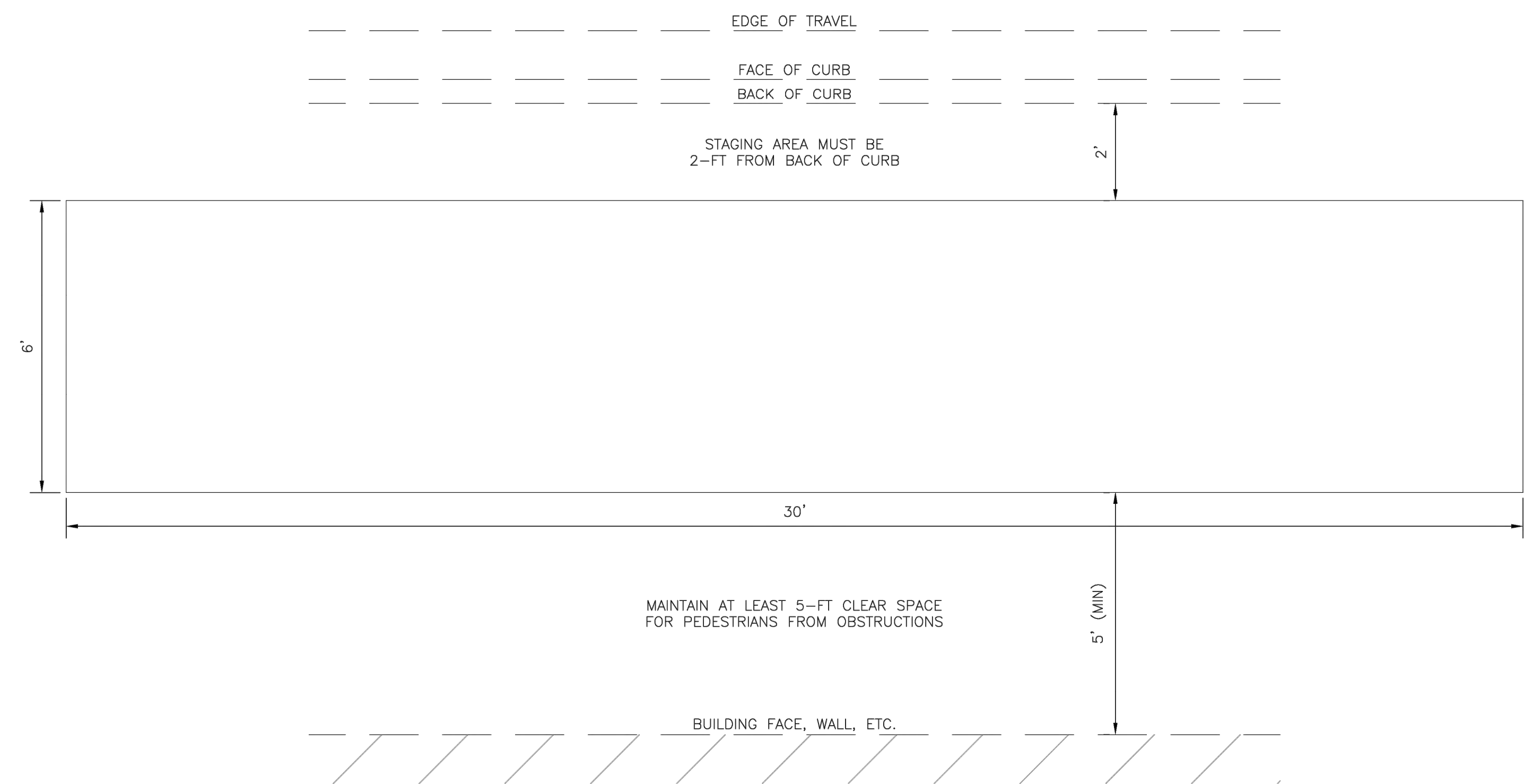


January 8, 2026

CONTRACTOR/AS-BUILT



ADA ACCESS AREA SHOWN FOR REFERENCE ONLY. LINES DEPICTED INDICATES CLEAR MINIMUM WIDTH AVAILABLE FOR ADA MOBILITY DEVICES; NO PHYSICAL ROUTES OR SURFACES TO BE CONSTRUCTED



2 CONSTRUCTION STAGING AREA
SCALE: 1"=2'

1 T-SHAPED TURNAROUND SPACE
SCALE: 1"=1'

DETAILS ON THIS SHEET PROVIDED BY IKE SMART CITY

ISSUED FOR:									
DATE:									
REV:									

SITE NAME:
DET-058
W VERNOR &
MICHIGAN AVE

JOB: 1035-25-2747_DS
DRAW DATE: 01/08/26
PLOT DATE: 01/08/26
DRAWN BY: RLS
TITLE: ADA SPECS
SHEET: 08 OF 10

K:\1035 - Non DTE - Designs\1035-IKE\Detroit Market\1035-25-2747_W Vernor & Michigan Ave (DET-058)\DWG\1035-25-2747_DS.dwg; 1/8/2026 1:46 PM;

CONSTRUCTION SITE SAFETY IS THE RESPONSIBILITY OF THE CONTRACTOR. NEITHER THE OWNER NOR THE ENGINEER SHALL BE EXPECTED TO ASSUME ANY RESPONSIBILITY FOR SAFETY OF THE WORK, OF PERSONS ENGAGED IN THE WORK, OF ANY NEARBY STRUCTURES, OR OF ANY OTHER PERSONS.
COPYRIGHT © 2025 METRO ENGINEERING SOLUTIONS; ALL RIGHTS RESERVED.

THE LOCATIONS OF EXISTING UNDERGROUND UTILITIES ARE SHOWN IN AN APPROXIMATE WAY ONLY AND HAVE NOT BEEN INDEPENDENTLY VERIFIED. THE CONTRACTOR SHALL DETERMINE THE EXACT LOCATION OF ALL EXISTING UTILITIES BEFORE COMMENCING WORK, AND AGREES TO BE FULLY RESPONSIBLE FOR ANY AND ALL DAMAGES WHICH MIGHT BE OCCASIONED BY THE CONTRACTOR'S FAILURE TO EXACTLY LOCATE AND PRESERVE ANY AND ALL UNDERGROUND UTILITIES.



K:\1035 - Non DTE - Designs\1035-IKE\Detroit Market\1035-25-2747_W Vernor & Michigan Ave (DET-058)\DWG\1035-25-2747_DS.dwg; 1/8/2026 1:46 PM;

IKE CONSTRUCTION NOTES

- THE SUBMISSION OF A BID BY THE CONTRACTOR IS NOTIFICATION THAT THE CONTRACTOR HAS TOTALLY FAMILIARIZED THEMSELVES WITH THE CONTRACT DOCUMENTS AND EXISTING SITE CONDITIONS AND HAS AGREED TO PROVIDE THE NECESSARY LABOR AND MATERIAL FOR THE COMPLETE INSTALLATION OF EACH SYSTEM IN A NEAT AND PROFESSIONAL MANNER IN ACCORDANCE WITH THE BEST PRACTICES OF THE INDUSTRY AND IN COMPLIANCE WITH ALL AUTHORITIES HAVING JURISDICTION.
- THESE DRAWINGS ARE PRESENTED TO THE CONTRACTOR WITH THE UNDERSTANDING THAT THE CONTRACTOR IS AN EXPERT AND COMPETENT IN THE PREPARATION OF CONTRACT BID OF INFORMATION SUCH AS IS CONTAINED IN THESE DOCUMENTS. IT IS THE INTENT OF THE DRAWINGS AND SPECIFICATIONS TO CALL FOR FINISHED WORK, TESTED AND READY FOR OPERATION AND IN COMPLETE CONFORMANCE WITH APPLICABLE CODES, RULES, AND REGULATIONS. MINOR ITEMS NOT USUALLY SHOWN OR SPECIFIED, BUT MANIFESTLY NECESSARY FOR PROPER INSTALLATION AND OPERATION OF THE VARIOUS SYSTEMS SHALL BE INCLUDED IN THE WORK AND IN THE PROPOSAL THE SAME AS IF SPECIFIED OR SHOWN ON THE DRAWINGS. IF ANY DEPARTURES FROM THE DRAWINGS ARE DEEMED NECESSARY, DETAILS OF SUCH DEPARTURES AND THE REASONS THEREFORE SHALL BE SUBMITTED TO THE OWNER FOR APPROVAL. NO DEPARTURES SHALL BE MADE WITHOUT PRIOR APPROVAL.
- THE CONTRACTOR SHALL VISIT THE SITE AND VERIFY ALL DIMENSIONS IN THE FIELD, AND SHALL ADVISE THE OWNER OF ANY DISCREPANCIES BEFORE PERFORMING THE WORK.
- THE DRAWINGS INDICATE ARRANGEMENTS AND APPROXIMATE SIZES AND RELATIVE LOCATIONS OF PRINCIPAL APPARATUS, EQUIPMENT, DEVICES, AND SERVICES TO BE PROVIDED. DRAWINGS ARE DIAGRAMMATIC AND ARE A GRAPHIC REPRESENTATION OF CONTRACT REQUIREMENTS BASED ON THE INFORMATION PROVIDED BY THE MANUFACTURER IDENTIFIED IN THE EQUIPMENT SCHEDULE AT THE SCALE INDICATED.
- LAYOUT OF EQUIPMENT INDICATED ON THE DRAWINGS SHALL BE CHECKED AND COMPARED AGAINST ALL DRAWINGS AND SPECIFICATIONS OF ALL TRADES AND EXACT LOCATIONS DETERMINED USING APPROVED SHOP DRAWINGS OF SUCH EQUIPMENT. WHERE PHYSICAL INTERFERENCES OCCUR, CONSULT WITH THE OWNER AND PREPARE DATED, DIMENSIONED DRAWINGS COORDINATED WITH ALL OTHER TRADES WORKING IN THIS AREA AND CORRECTING SUCH INTERFERENCE.
- THE CONTRACTOR SHOULD SCHEDULE THEIR WORK IN ACCORDANCE WITH THE CONSTRUCTION SCHEDULE SO THAT ALL OF THEIR WORK CAN BE INSTALLED WITHOUT DELAYING THE PROJECT. ALL WORK RELATED TO SHUTDOWN OF EXISTING SERVICES SHALL BE PERFORMED AT THE HOURS DESIGNATED BY THE OWNER WITH ALL ASSOCIATED COSTS BORNE BY THE CONTRACTOR AT NO COST TO THE OWNER. PROVIDE ANY TEMPORARY FACILITIES REQUIRED TO PERMIT OWNER'S USE OF EXISTING FACILITIES AND SYSTEMS TO REMAIN UNDISTURBED. COORDINATE ALL WORK, INCLUDING ALL SHUTDOWNS THAT AFFECT SYSTEMS AND/OR PORTIONS OF THE BUILDING THAT MUST REMAIN IN OPERATION, WITH OWNER.
- THE CONTRACTOR SHALL SECURE AND PAY ALL FEES, LICENSES, INSPECTIONS, AND PERMITS PERTAINING TO THE CONTRACT. SUBMIT TO OWNER DUPLICATE CERTIFICATES OF INSPECTION.
- ALL EQUIPMENT SHALL BE INSTALLED IN STRICT COMPLIANCE WITH THE MANUFACTURER'S WRITTEN INSTRUCTIONS.
- THE CONTRACTOR SHALL BE RESPONSIBLE FOR WORKMEN'S IDENTIFICATION AND BADGING, SAFETY AND FIRE PROTECTION, BARRICADES, WARNING SIGNS, TRASH REMOVAL, CUTTING AND PATCHING.
- THE CONTRACTOR SHALL BE RESPONSIBLE FOR ALL RIGGING, HANDLING, AND PROTECTION OF MATERIALS. ALL EQUIPMENT AND MATERIALS SHALL BE NEW AND WITHOUT BLEMISH OR DEFECT. ALL EQUIPMENT INSTALLED SHALL BEAR THE LABEL OF AN APPROVED AGENCY.
- THE CONTRACTOR SHALL PROVIDE LABOR TO RECEIVE, UNLOAD, STORE, PROTECT, AND TRANSFER TO POINT OF INSTALLATION FOR ALL FURNISHED ITEMS.
- WHERE CONDUIT, CABLES, DUCTWORK, OR PIPING PASSES THROUGH FIRE RATED FLOORS OR WALLS, THE PENETRATION SHALL BE COMPLETELY SEALED WITH A FIRE STOP MATERIAL THAT IS UL LISTED AND ACCEPTED BY THE BUILDING DEPARTMENT AND FIRE DEPARTMENT AS BEING SUITABLE FOR THIS SERVICE. THIS MATERIAL SHALL BE INSTALLED IN ACCORDANCE WITH THE REQUIREMENTS OF THE MANUFACTURER TO MAINTAIN THE UL LISTED FIRE RATING OF THE PENETRATED WALL OR FLOOR.
- THE CONTRACTOR SHALL BE RESPONSIBLE FOR ALL SLAB OPENINGS, WALL OPENINGS, BEAM PENETRATIONS, AND CORING AS IT RELATES TO THEIR WORK. THE CONTRACTOR SHALL SUBMIT SIZE AND LOCATION FOR REVIEW AND APPROVAL.
- ALL EXTERIOR WALL OPENINGS SHALL BE SLEEVED, PROPERLY CAULKED, AND SEALED WITH A HIGH QUALITY SEALANT TO PREVENT INFILTRATION OF MOISTURE AND OUTSIDE AIR.
- THE CONTRACTOR SHALL SUBMIT A SCHEDULE OF SUBMITTALS PRIOR TO SUBMITTING ANY SHOP DRAWINGS, ETC. TO BE SUBMITTED FOR THIS PROJECT. INCLUDING THE ANTICIPATED DATE OF EACH SUBMISSION. THE CONTRACTOR SHALL SUBMIT AN ELECTRONIC COPY OF THE COMPLETE SHOP DRAWINGS AND CATALOG CUTS, WIRING DIAGRAMS AND ASSOCIATED DATA TO THE OWNER FOR APPROVAL PRIOR TO PURCHASING EQUIPMENT OR STARTING ANY WORK. ANY WORK INSTALLED OR EQUIPMENT PURCHASED PRIOR TO RECEIPT OF OWNER APPROVED SHOP DRAWINGS THAT REQUIRES CHANGES SHALL BE REPLACED AT THE CONTRACTOR'S EXPENSE.
- ALL WORK FURNISHED UNDER THE CONTRACT SHALL BE GUARANTEED AGAINST ANY AND ALL DEFECTS IN WORKMANSHIP AND/OR MATERIALS FOR A PERIOD OF NOT LESS THAN (1) YEAR FROM THE DATE OF FINAL ACCEPTANCE OF THE INSTALLATION, UNLESS NOTED OTHERWISE IN THE PROJECT SPECIFICATIONS, AND ANY DEFECTS OF WORKMANSHIP DEVELOPING DURING THIS PERIOD SHALL BE REMEDIED AND ANY DEFECTIVE MATERIAL REPLACED WITHOUT ADDITIONAL COST TO THE OWNER.
- INSTALLED SYSTEMS SHALL OPERATE UNDER ALL CONDITIONS OF LOAD WITHOUT SOUND OR VIBRATION THAT IS OBJECTIONABLE TO THE OWNER, OBJECTIONABLE SOUND OR VIBRATION CONDITIONS DUE TO WORKMANSHIP SHALL BE CORRECTED IN AN APPROVED MANNER BY THE CONTRACTOR AT THE CONTRACTOR'S EXPENSE.
- THE CONTRACTOR SHALL NOTIFY OWNER OF COMPLETION OF ALL WORK, INDICATING THE CONTRACTOR IS READY FOR THE OWNER TO PERFORM THE FINAL PUNCH LIST INSPECTION.
- UPON COMPLETION OF ALL UNFINISHED OR FAULTY WORK NOTED IN THE OWNER'S FINAL PUNCH LIST, THE CONTRACTOR SHALL SUBMIT TO THE OWNER IN WRITING A LETTER OF COMPLETION CERTIFYING THAT ALL PUNCH LIST ITEMS HAVE BEEN COMPLETED AND ALL AS-BUILTS, MANUALS, ETC. HAVE BEEN SUBMITTED.
- SHOULD A CONTRACTOR REQUIRE REMOVAL, RELOCATION, OR REROUTING OF ANOTHER TRADE'S WORK THAT IS NOT INDICATED ON DRAWINGS, THE CONTRACTOR REQUIRING SUCH WORK SHALL BE RESPONSIBLE FOR THAT WORK, AND PAY ALL REQUIRED COSTS.
- ALL WORK INVOLVING ALTERATIONS TO EXISTING SYSTEMS, EQUIPMENT, AND MATERIALS SHALL BE REVIEWED WITH THE OWNER BEFORE BEGINNING WORK.
- DEFINITION: UNLESS OTHERWISE NOTED, ALL WORK SPECIFIED HERIN OR NOTED ON DRAWINGS, SHALL BE BY THE CONTRACTOR. THE TERM "PROVIDE" WHENEVER ENCOUNTERED ON DRAWINGS OR IN THESE SPECIFICATIONS, SHALL MEAN "FURNISH AND INSTALL."
- CODES AND STANDARDS: ALL MATERIALS AND WORKMANSHIP SHALL COMPLY WITH THE CURRENT EDITION OF THE NATIONAL ELECTRICAL CODE, ALL APPLICABLE CODES, SPECIFICATIONS, LOCAL ORDINANCES, INDUSTRY STANDARDS, UTILITY COMPANY REGULATIONS, AND FIRE INSURANCE CARRIER'S REQUIREMENTS.
- MATERIALS: ALL MATERIALS FURNISHED BY THIS CONTRACTOR, SHALL BE NEW AND BEAR THE LABEL OR LISTING OF A NATIONALLY RECOGNIZED INDEPENDENT TESTING LABORATORY.
- OUTLET AND SWITCH BOXES: PROVIDE AND INSTALL OUTLET BOXES OF PROPER TYPE AND SIZE AS REQUIRED AT ALL OUTLETS WHERE SHOWN. SECURED FIRMLY IN PLACE AND SET TRUE AND SQUARE AND FLUSH WITH THE FINISHED SURFACE.
- WIRING: WIRES SHALL BE COPPER WITH XHHW OR OTHER XLP INSULATION RATED FOR THE LOCATIONS IN WHICH THEY ARE INSTALLED. ALL RACEWAYS ARE SHOWN DIAGRAMMATICALLY, EXACT LOCATION TO BE DETERMINED ON THE JOB. THE CONTRACTOR SHALL ARRANGE ALL NEW CIRCUITS IN PANELS SO AS TO BALANCE THE LOAD ON ALL PHASES.
- A TYPED DIRECTORY CARD SHALL BE PROVIDED IN EACH PANEL WITH ADDED CIRCUITS TO INDICATE THE LOADS ACTUALLY SERVED.
- GROUNDING: SHALL BE IN STRICT ACCORDANCE WITH THE NATIONAL ELECTRICAL CODE ARTICLE 250. PROVIDE GROUND WIRES AS REQUIRED AND RESIZE CONDUIT IF NECESSARY.
- DEMONSTRATION OF COMPLETE ELECTRICAL SYSTEMS: UPON COMPLETION OF THE WORK THE CONTRACTOR SHALL OBTAIN A CERTIFICATE OF APPROVAL FROM THE RESPECTIVE INSPECTION AGENCIES. THE CONTRACTOR SHALL NOTIFY AND MAKE ALL THE NECESSARY ARRANGEMENTS WITH THE INSPECTING AGENCY AND LOCAL AUTHORITIES SO THAT INSPECTION MAY BE CARRIED OUT AT THE PROPER TIME.

IKE GENERAL NOTES

- IT IS THE CONTRACTOR'S RESPONSIBILITY TO VERIFY ALL LOCATIONS, ELEVATIONS, AND DIMENSIONS OF ADJACENT AND/OR CONFLICTING UTILITIES SUFFICIENTLY IN ADVANCE OF CONSTRUCTION SO THAT ADJUSTMENTS CAN BE MADE TO PROVIDE ADEQUATE CLEARANCES. ANY DISCREPANCY FOUND SHALL BE BROUGHT TO THE OWNER AND ENGINEER BEFORE CONSTRUCTION HAS COMMENCED. THE CONTRACTOR SHALL PRESERVE AND PROTECT PUBLIC UTILITIES AT ALL TIMES DURING CONSTRUCTION. ANY DAMAGE TO UTILITIES RESULTING FROM CONTRACTOR'S OPERATIONS SHALL BE RESTORED AT THE CONTRACTOR'S EXPENSE.
- ONCE THE FOUNDATION HAS BEEN LOCATED, THE CONTRACTOR SHALL RECEIVE SPOT-PAINT THE FOUR CORNERS OF THE FOUNDATION ON THE GROUND SURFACE FOR REVIEW BY THE OWNER. THE CONTRACTOR SHALL NOT EXCAVATE FOR THE FOUNDATION UNTIL AUTHORIZED BY THE OWNER'S REPRESENTATIVE.
- EXISTING ROW LOCATIONS SHOWN ARE FOR REFERENCE ONLY. CONTRACTOR SHALL VERIFY RIGHT OF WAY LIMITS IN THE FIELD PRIOR TO COMMENCING CONSTRUCTION AND NOTIFY THE OWNER AND ENGINEER OF ANY CONFLICTS.
- ALL AREAS DISTURBED DURING CONSTRUCTION SHALL BE RESTABILIZED PER THE PLANS. THE CONTRACTOR SHALL TAKE ALL NECESSARY PRECAUTIONS TO KEEP DRAINAGE AND SILT FROM WASHING ONTO ADJACENT PROPERTY OR CROSSING ADJACENT STREETS. CONTRACTOR SHALL IMMEDIATELY REMOVE SILT/DEBRIS THAT WASHES OFF-SITE OR INTO EXISTING STORM DRAIN SYSTEMS.
- REFER TO OVERALL SITE PLAN FOR PAVEMENT REPAIR INFORMATION.
- POWER TYPE: 120/240, 1P / INTERNET CONNECTION: 4GLTE.
- THE CONTRACTOR AND/OR THE CONTRACTOR'S INDEPENDENTLY RETAINED EMPLOYEE OR STRUCTURAL DESIGN/GEOTECHNICAL/SAFETY/EQUIPMENT CONSULTANT, IF ANY, SHALL REVIEW THESE PLANS AND AVAILABLE GEOTECHNICAL INFORMATION AND THE ANTICIPATED INSTALLATION SITE(S) WITHIN THE PROJECT WORK AREA IN ORDER TO IMPLEMENT THE CONTRACTOR'S TRENCH EXCAVATION SAFETY PROTECTION SYSTEMS, PROGRAMS, AND/OR PROCEDURES FOR THE PROJECT DESCRIBED IN THE CONTRACT DOCUMENTS. THE CONTRACTOR'S IMPLEMENTATION OF THESE SYSTEMS, AND/OR PROCEDURES SHALL PROVIDE FOR ADEQUATE TRENCH EXCAVATION SAFETY PROTECTION THAT COMPLY WITH, AS A MINIMUM, OSHA STANDARDS FOR TRENCH EXCAVATIONS. SPECIFICALLY, THE CONTRACTOR AND/OR THE CONTRACTOR'S INDEPENDENTLY RETAINED EMPLOYEE OR SAFETY CONSULTANT SHALL IMPLEMENT A TRENCH SAFETY PROGRAM IN ACCORDANCE WITH OSHA STANDARDS GOVERNING THE PRESENCE AND ACTIVITIES OF INDIVIDUALS WORKING IN AND AROUND TRENCH EXCAVATION.
- PROPOSED CONDUIT SHALL HAVE A MINIMUM OF 30 INCHES OF COVER AND SHALL MAINTAIN A MINIMUM CLEARANCE OF 12 INCHES FROM OTHER UTILITIES. IN CASE OF VERTICAL CONFLICT WITH EXISTING UTILITIES, THE CONTRACTOR MAY LOWER PROPOSED CONDUIT AT CROSSINGS TO MAINTAIN A 12 INCHES SEPARATION.
- THE CONTRACTOR SHALL MAINTAIN 2 FEET OF CLEARANCE FROM ANY UNDERGROUND WATER OR SEWER INFRASTRUCTURE AND 4 FEET OF CLEARANCE FROM ANY ABOVE GROUND APPURTENANCES SUCH AS METERS, VALVE BOXES, MANHOLES, ETC.

ADA NOTES

- ALL CONSTRUCTION ACTIVITIES SHALL BE COMPLETED IN FULL COMPLIANCE WITH THE AMERICANS WITH DISABILITIES ACT (ADA).
- PROPOSED CLEAR FLOOR OR GROUND SPACE IN FRONT OF THE PROPOSED KIOSK SHALL BE SLOPED A MAX OF 1.50% (+/-0.50%) IN ALL DIRECTIONS AWAY FROM THE KIOSK.
- THE MINIMUM WHEELCHAIR PASSAGE WIDTH OR CLEAR SPACE WIDTH FOR SINGLE WHEELCHAIR PASSAGE SHALL BE 32" AT A POINT AND 36" CONTINUOUSLY PER PROWAG 2011 STANDARD SECTION R404 ([HTTPS://WWW.ACCESS-BOARD.GOV/GUIDELINES-AND-STANDARDS/STREETS-SIDEWALKS/PUBLIC-RIGHTS-OF-WAY](https://www.access-board.gov/guidelines-and-standards/streets-sidewalks/public-rights-of-way)).
- THE MINIMUM CLEAR FLOOR OR GROUND SPACE IN FRONT OF PROPOSED KIOSK REQUIRED TO ACCOMMODATE A SINGLE, STATIONARY WHEELCHAIR AND OCCUPANT IS 30" BY 48". THE MINIMUM CLEAR FLOOR OR GROUND SPACE MAY BE POSITIONED FOR FORWARD OR PARALLEL APPROACH. CLEAR FLOOR OR GROUND SPACE FOR WHEELCHAIRS SHALL BE CENTERED ON THE ELEMENT IT SERVES AND MAY BE PART OF THE KNEE SPACE REQUIRED UNDER SOME OBJECTS.

IKE KIOSK NOTE

- INITIAL OPERATION FOR THE KIOSK WILL HAVE 4GLTE CONNECTION TO THE INTERNET

CONSTRUCTION SITE SAFETY IS THE RESPONSIBILITY OF THE CONTRACTOR. NEITHER THE OWNER NOR THE ENGINEER SHALL BE EXPECTED TO ASSUME ANY RESPONSIBILITY FOR SAFETY OF THE WORK, OF PERSONS ENGAGED IN THE WORK, OF ANY NEARBY STRUCTURES, OR OF ANY OTHER PERSONS.
COPYRIGHT © 2025 METRO ENGINEERING SOLUTIONS; ALL RIGHTS RESERVED.

THE LOCATIONS OF EXISTING UNDERGROUND UTILITIES ARE SHOWN IN AN APPROXIMATE WAY ONLY AND HAVE NOT BEEN INDEPENDENTLY VERIFIED. THE CONTRACTOR SHALL DETERMINE THE EXACT LOCATION OF ALL EXISTING UTILITIES BEFORE COMMENCING WORK, AND AGREES TO BE FULLY RESPONSIBLE FOR ANY AND ALL DAMAGES WHICH MIGHT BE OCCASIONED BY THE CONTRACTOR'S FAILURE TO EXACTLY LOCATE AND PRESERVE ANY AND ALL UNDERGROUND UTILITIES.



250 N HARTFORD AVE
COLUMBUS, OHIO 43222
PHONE: 614.589.0087



22300 Haggerty Rd, Northville, MI 48167



January 8, 2026

CONTRACTOR /AS-BUILT

ISSUED FOR:									
DATE:									
REV:									

SITE NAME:
DET-058
W VERNOR &
MICHIGAN AVE

JOB: 1035-25-2747_DS

DRAW DATE: 01/08/26

PLOT DATE: 01/08/26

DRAWN BY: RLS

TITLE: CONST NOTES

SHEET: 09 OF 10

K:\1035 - Non DTE - Designs\1035-IKE\Detroit Market\1035-25-2747_W Vernor & Michigan Ave (DET-058)\DWG\1035-25-2747_TC.dwg; 12/24/2025 8:34 AM;

ADA WALL meets ADA Requirements

- MASH Tested, Passed, Eligible as Longitudinal Channelizing Device, TL-3.
- Two Step-N-Deploy Legs Make Deployment Quick, Easy and Safe
- Made of UV stabilized, high density polyethylene, the linkable ADA Walls quickly and easily link together in 6 foot sections to allow the contractor flexibility in creating a safe pedestrian pathway.
- Weighing only 23 lbs., the durable, yet lightweight design makes the ADA Wall easy to lift on and off the truck and easy to connect.
- The ten molded-in vertical windows reduce wind load, add strength and stability, and reduce overall weight of the ADA Wall. They also allow a guide dog to see what is on the other side of the wall.
- Two recessed areas measuring 8" wide x 53" long on each side of the ADA Wall accommodate reflective sheeting.
- Standard colors are orange and white. Custom colors also available upon request.
- The TrafFix ADA Wall can accommodate uneven surfaces to create a clear safe pedestrian pathway.

Blow Molded Connectors Provide Strength and Flexibility.

ike SMART CITY
 250 N HARTFORD AVE
 COLUMBUS, OHIO 43222
 PHONE: 614.589.0087

MES METRO ENGINEERING SOLUTIONS
 22300 Haggerly Rd, Northville, MI 48167



January 8, 2026

CONTRACTOR / AS-BUILT

REV.	DATE:	ISSUED FOR:

SITE NAME:
**DET-058
 W VERNOR &
 MICHIGAN AVE**

JOB: 1035-25-2747_TC

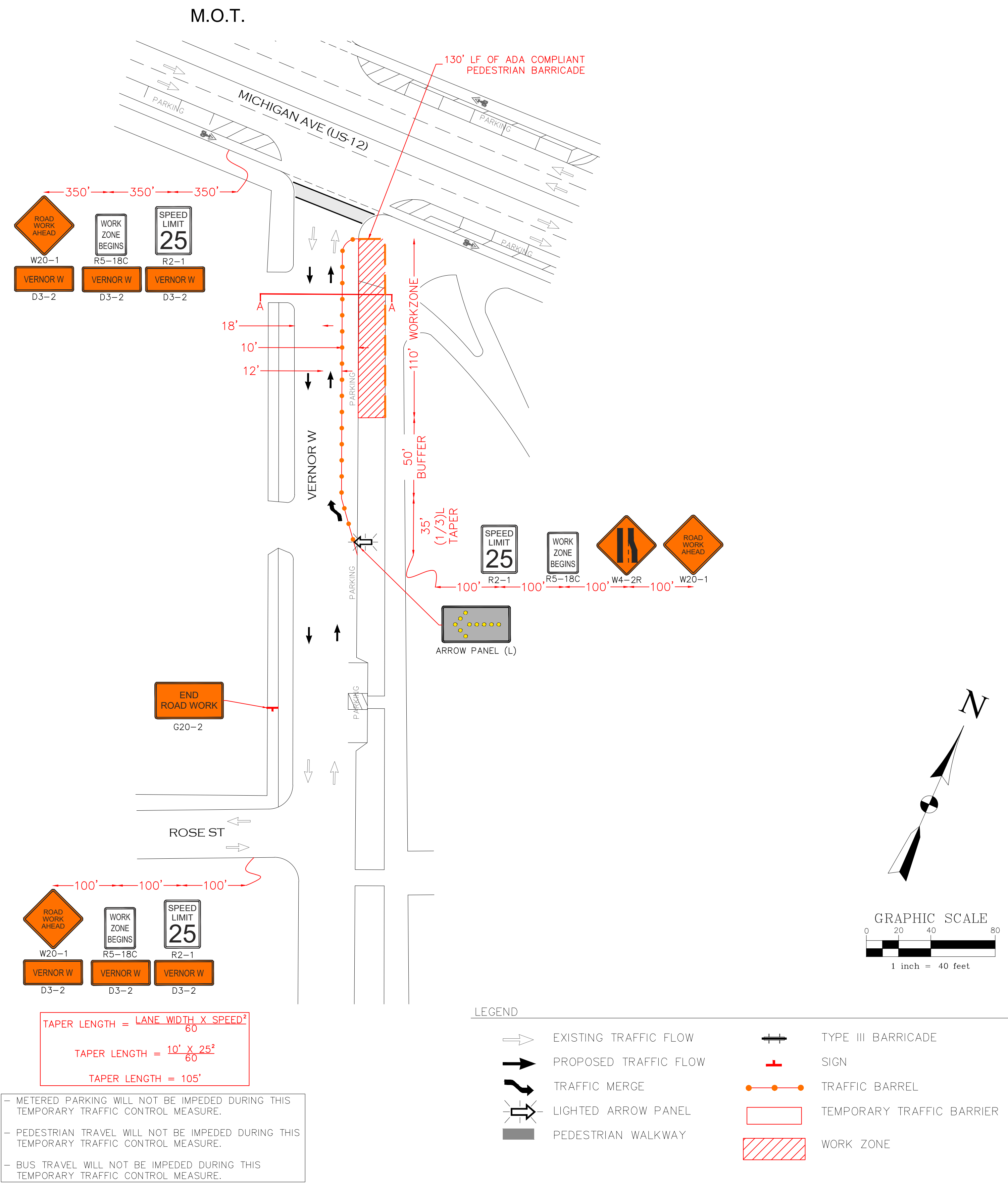
DRAW DATE: 01/08/26

PLOT DATE: 01/08/26

DRAWN BY: RLS

TITLE: M.O.T.

SHEET: 10 OF 10



CONSTRUCTION SITE SAFETY IS THE RESPONSIBILITY OF THE CONTRACTOR. NEITHER THE OWNER NOR THE ENGINEER SHALL BE EXPECTED TO ASSUME ANY RESPONSIBILITY FOR SAFETY OF THE WORK, OF PERSONS ENGAGED IN THE WORK, OF ANY NEARBY STRUCTURES, OR OF ANY OTHER PERSONS.
 COPYRIGHT © 2025 METRO ENGINEERING SOLUTIONS; ALL RIGHTS RESERVED.

THE LOCATIONS OF EXISTING UNDERGROUND UTILITIES ARE SHOWN IN AN APPROXIMATE WAY ONLY AND HAVE NOT BEEN INDEPENDENTLY VERIFIED. THE CONTRACTOR SHALL DETERMINE THE EXACT LOCATION OF ALL EXISTING UTILITIES BEFORE COMMENCING WORK, AND AGREES TO BE FULLY RESPONSIBLE FOR ANY AND ALL DAMAGES WHICH MIGHT BE OCCASIONED BY THE CONTRACTOR'S FAILURE TO EXACTLY LOCATE AND PRESERVE ANY AND ALL UNDERGROUND UTILITIES.

