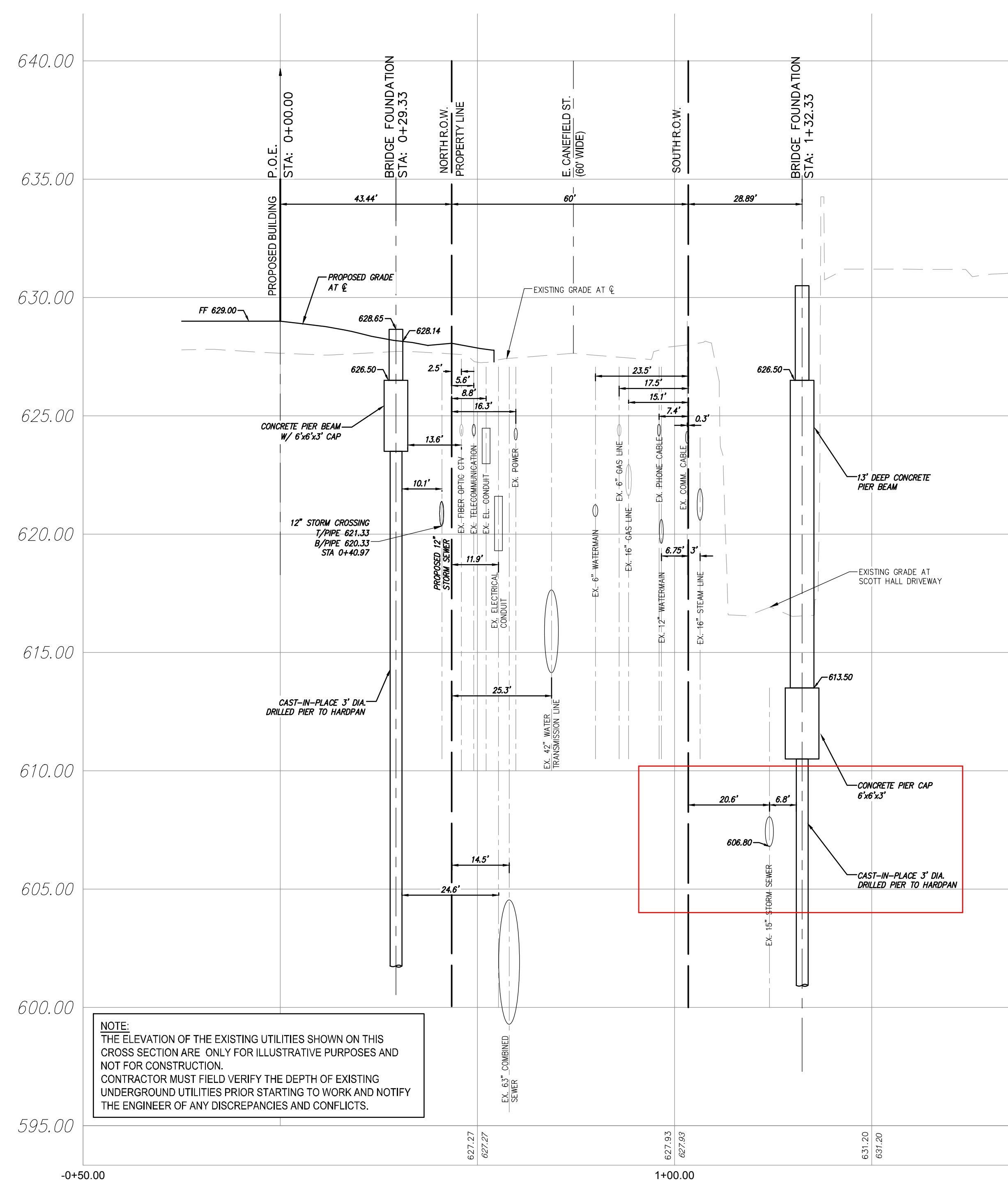
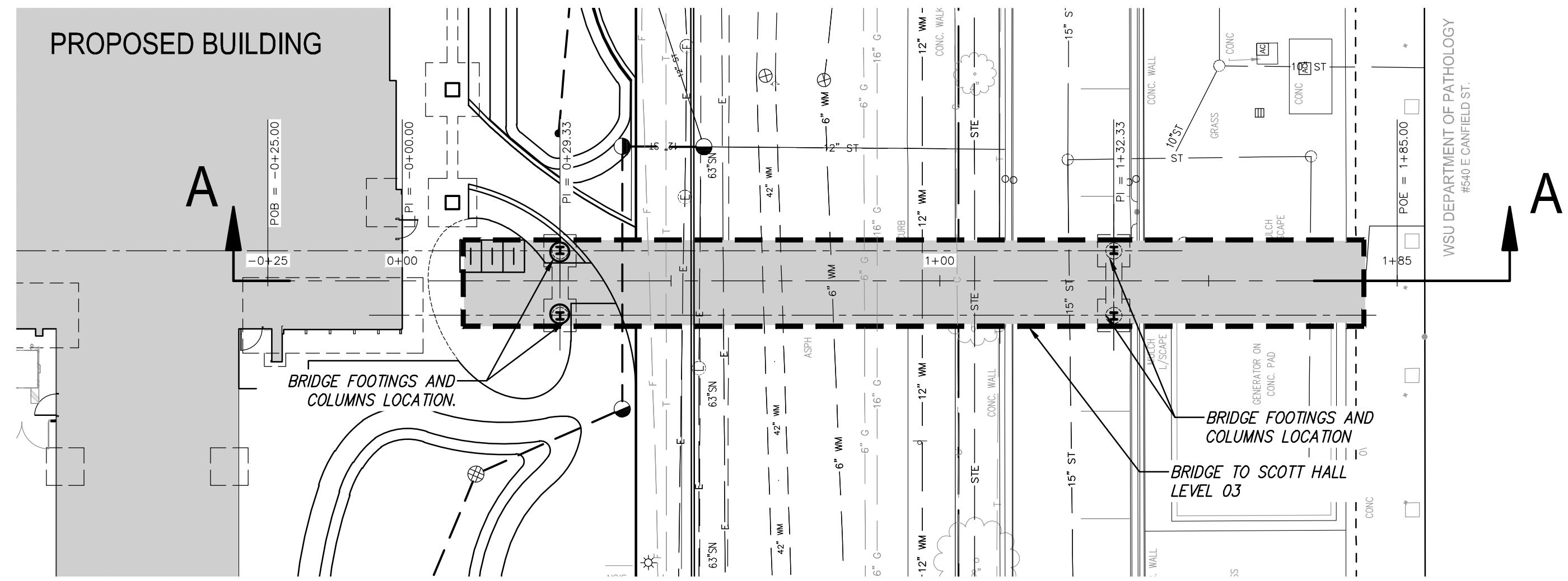


EXHIBIT A

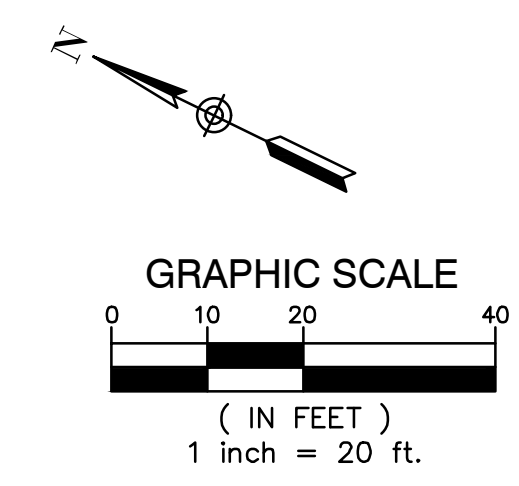


NOTE:
THE ELEVATION OF THE EXISTING UTILITIES SHOWN ON THIS CROSS SECTION ARE ONLY FOR ILLUSTRATIVE PURPOSES AND NOT FOR CONSTRUCTION. CONTRACTOR MUST FIELD VERIFY THE DEPTH OF EXISTING UNDERGROUND UTILITIES PRIOR STARTING TO WORK AND NOTIFY THE ENGINEER OF ANY DISCREPANCIES AND CONFLICTS.

CROSS SECTION A-A



PLAN



SPALDING DeDECKER
Engineers | Planners | Surveyors
Excellence Since 1954

119 State Street, Suite 500
Detroit, MI 48226
Phone (313) 305-9120

Headquarters
Rochester Hills

Branch Offices
Detroit | Grand Rapids | Novi | Lansing

www.sda-eng.com
(800) 598-1600



811
Know what's below.
Call before you dig.

PRIOR TO CONSTRUCTION, ALL LOCATIONS AND DEPTHS OF EXISTING UTILITIES IN CONFLICT WITH PROPOSED IMPROVEMENTS SHALL BE VERIFIED IN THE FIELD. CALL MISS DIG'S WORKING DAYS PRIOR TO CONSTRUCTION.

UTILITY NOTE

UTILITY INFORMATION ON THIS DRAWING MAY BE FROM INFORMATION DISCLOSED TO THIS FIRM BY THE VARIOUS UTILITY COMPANIES, CITY/COUNTY AGENCIES AND OTHER VARIOUS SOURCES. UNDERGROUND UTILITIES WHICH ARE ON PRIVATE PROPERTY ARE USUALLY NOT DELINEATED UPON A UTILITY COMPANYS PUBLISHED PLANS. THEIR LOCATION, IF SHOWN UPON THIS SURVEY, ARE APPROXIMATED FROM FOUND PAINT MARKS/STAKES, ETC. AS LOCATED BY THIS FIRM FROM SOURCES WHICH ARE UNKNOWN. NO GUARANTEE IS GIVEN AS TO THE COMPLETENESS OR ACCURACY THEREOF.

COPYRIGHT © 2025 SPALDING DeDECKER ASSOCIATES, INC. THIS DRAWING AND THE SUBJECT MATTER CONTAINED THEREON IS PROPRIETARY AND IS NOT TO BE USED OR REPRODUCED WITHOUT WRITTEN PERMISSION OF SPALDING DeDECKER ASSOCIATES, INC.

WAYNE STATE UNIVERSITY
HEALTH SCIENCE RESEARCH BUILDING
545 CANEFIELD ST.
DETROIT, MI 48201

EXHIBIT A
UTILITY CROSSING

SECTION	PRIVATE CLAIN 55	
TOWN	RANGE	
CITY OF DETROIT		
WAYNE COUNTY, MICHIGAN		
NO.	DATE	REVISION
01	09.30.2025	BRIDGE ENCROACHMENT REVIEW

VERIFY SCALES
BAR IS ONE INCH ON ORIGINAL DRAWING
IF NOT ONE INCH ON THIS SHEET,
ADJUST SCALES ACCORDINGLY

DRAWN BY D.S.	DATE 2025/09/30
DESIGNER D.S.	DATE 2025/09/30
CHECKED K.B.	DATE 2025/09/30
PROJECT MANAGER K.B.	BID PLAN DATE 2025/02/18
DEPARTMENT MANAGER APPROVAL TJS	DATE 2025/02/18
JOB NO. UD24011	DRAWING NO.
SCALE: HOR. 1" = 20' VERT. 1" = 5'	SHEET NO. 1 OF 1