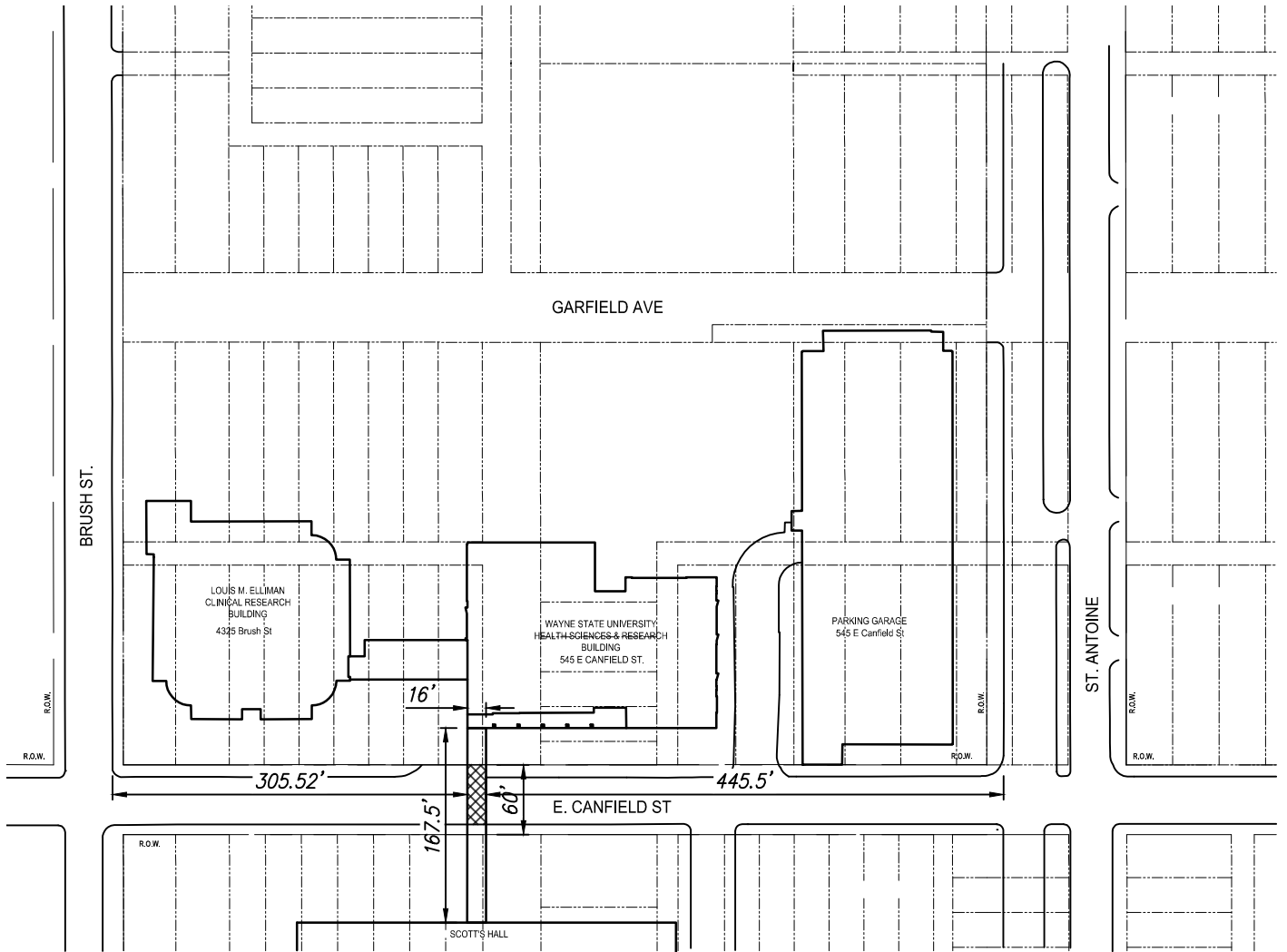
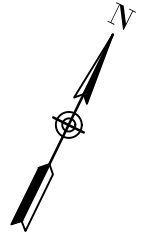
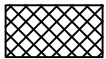


EXHIBIT 1

BRIDGE ENCROACHMENT ON E CANFIELD ST

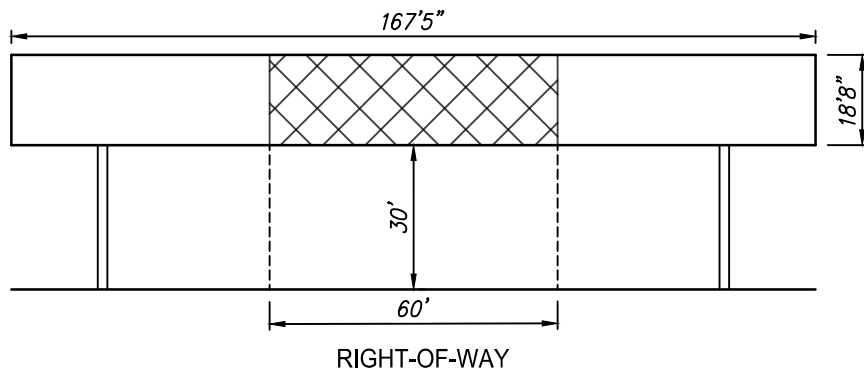


LEGEND



PROPOSED ENCROACHMENT

CONCEPTUAL SECTION OF THE BRIDGE



Plotted: May 23, 2025, 12:53 PM by user: 1167 - Saved: 5/22/2025 by user: 1167
 L:\UD Projects\UD24011 - Wayne State University - Health Sciences Building\DWG\Exhibits\UD24011EXHB--ROW - VACATION EXHIBIT.DWG



119 STATE ST., SUITE 500
 Detroit, MI 48226
 Phone (313) 305-9120



www.sda-eng.com

DRAWN: SN	DATE: 2025-05-23
CHECKED: KB	DATE: 2025-05-23
MANAGER: TDM	SCALE: 1" = 150'
JOB No. UD24011	SHEET: 1 OF 1
SECTION TOWN NORTH RANGE EAST	
DETROIT, WAYNE COUNTY	COUNTY, MI