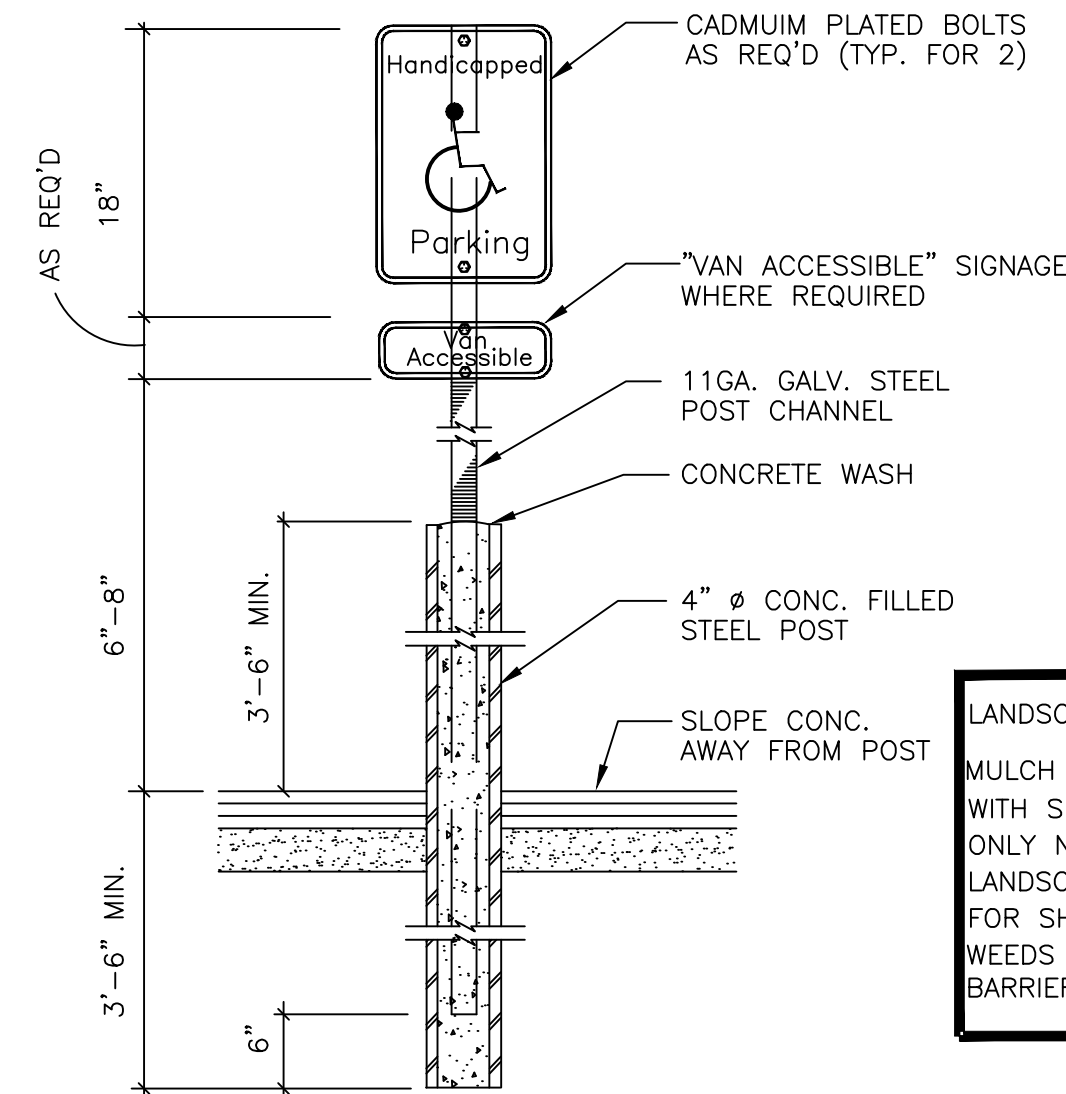


EXTERIOR LIGHT WALL MOUNTED FIXTURES

NOTE: ALL NEW LIGHTING TO BE SHIELDED AND DIRECTED DOWN WARD.

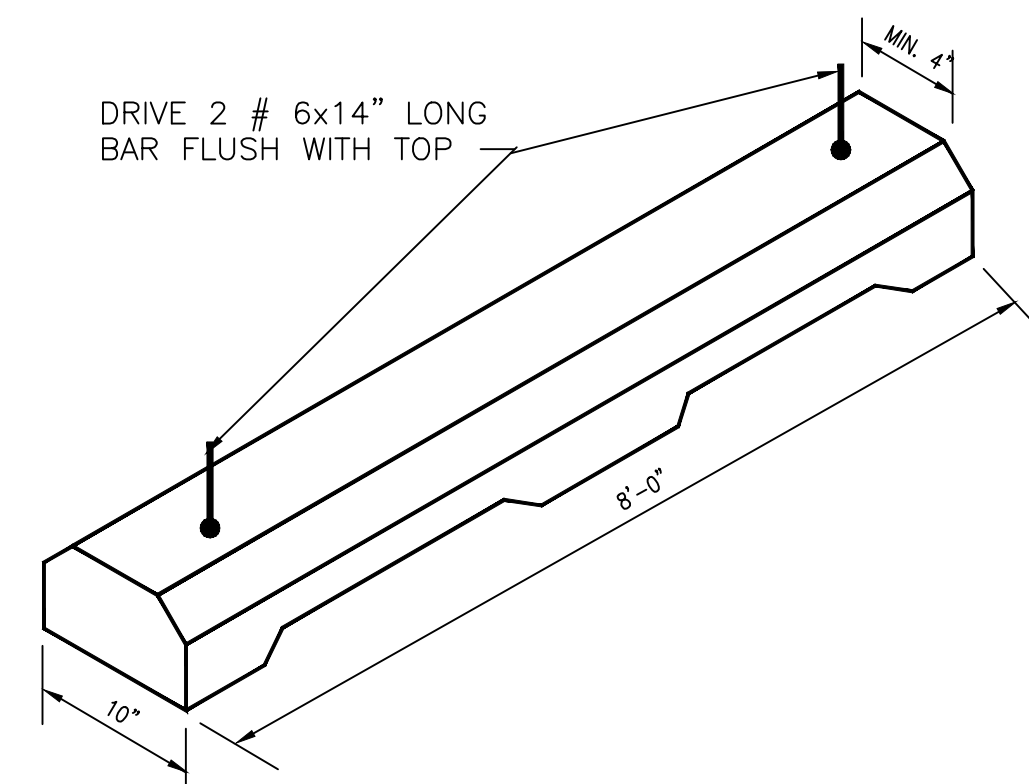
LIGHTING NOTES:

- 1- PARKING LOT LIGHTING POLE LENS TO BE LIMITED TO 250 W
- 2- WALL PACK ON WEST WALL AT LOADING ZONE ARE LIMITED TO 175 W.
- 3- ALL LIGHTS TO BE SHIELDED FROM ADJACENT PROPERTY.



HANDICAP PARKING SIGN

N.T.S.



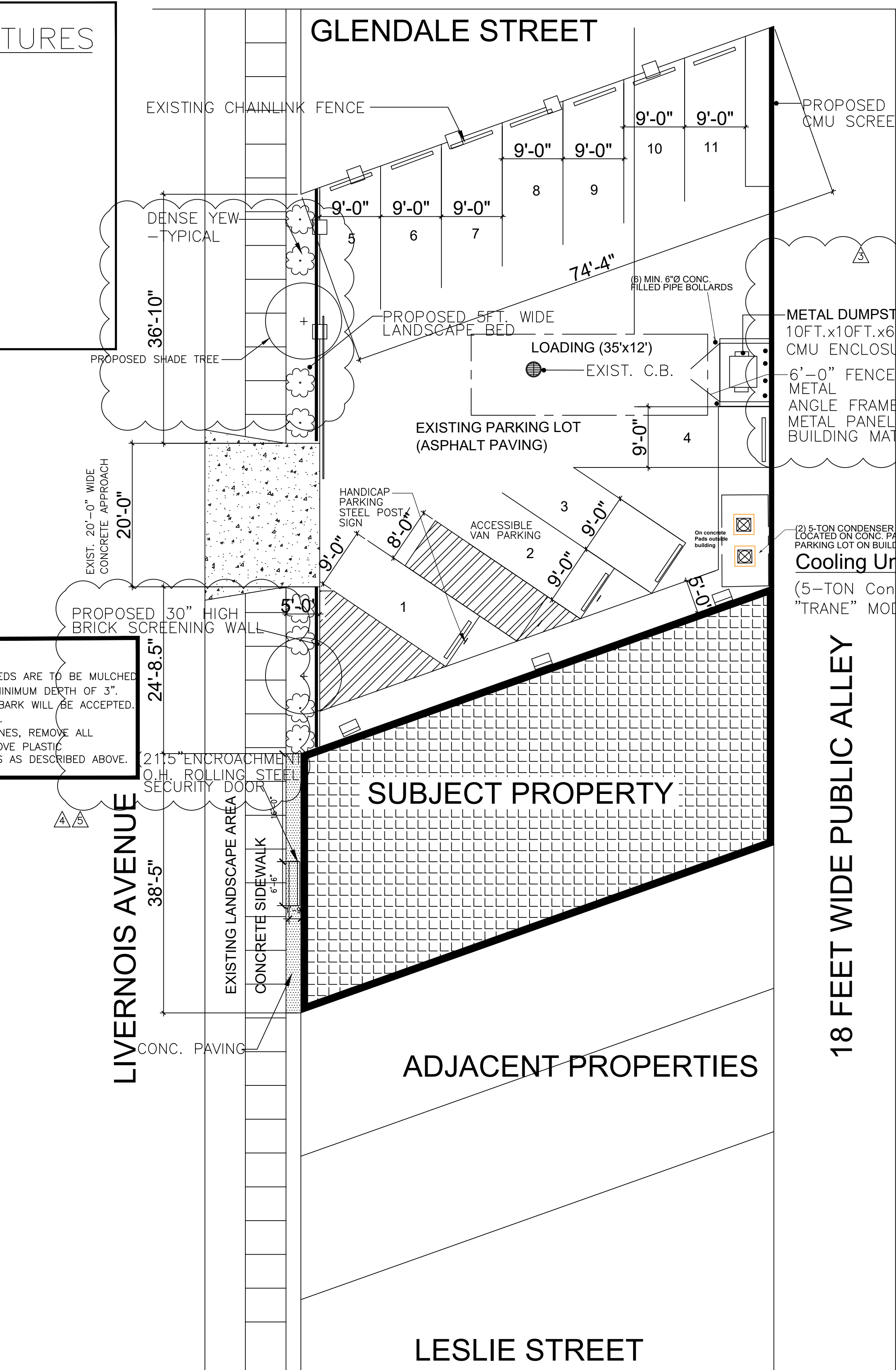
CONC. PARKING BUMPER

N.T.S.

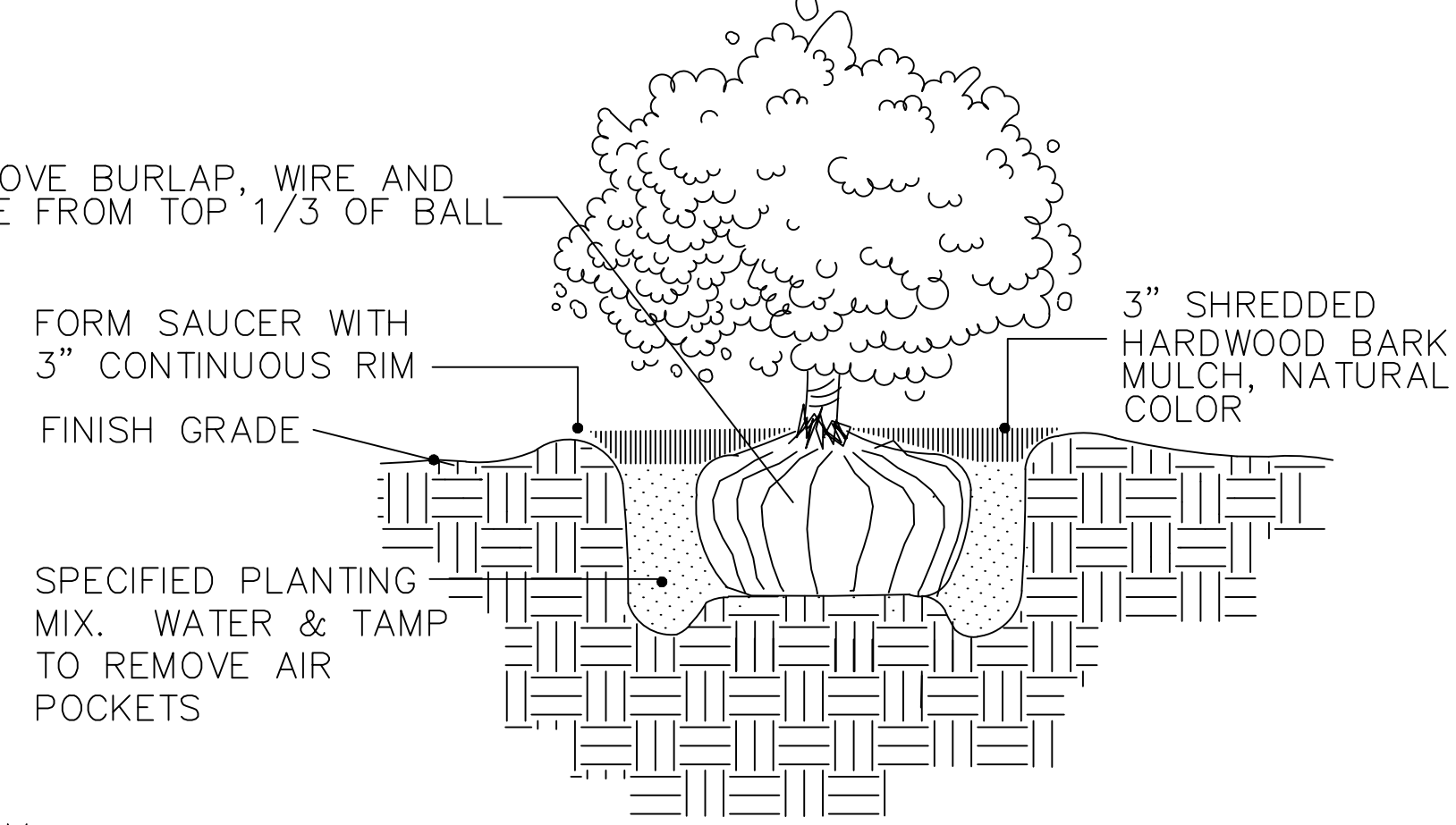
GENERAL NOTES:

THE SITE PLAN SHOWN ABOVE DEPICTS THE EXISTING BUILDING LAYOUT SUPERIMPOSED ON THE PLOT PLAN BASED ON AVAILABLE INFORMATION. ALL INDICATED DIMENSIONS ARE APPROXIMATE, THE CONTRACTOR IS REQUIRED TO FIELD VERIFY ALL DIMENSIONS. THE ARCHITECT DOES NOT GUARANTY ACCURACY OF THE INDICATED DIMENSIONS SINCE NO FORMAL TOPOGRAPHIC SURVEY WAS PRESENTED PRIOR TO COMMENCEMENT OF THE ARCHITECT'S SERVICES. THESE DRAWINGS SHALL BE UTILIZED FOR REFERENCE ONLY.

LANDSCAPING NOTES:
 MULCH ALL NEW LANDSCAPE BEDS. BEDS ARE TO BE MULCHED WITH SHREDDED BARK MULCH TO A MINIMUM DERTH OF 3". ONLY NATURAL-COLORED HARDWOOD BARK WILL BE ACCEPTED. LANDSCAPE FABRIC IS NOT PERMITTED. FOR SHRUB BED ALONG PROPERTY LINES, REMOVE ALL WEEDS AND VOLUNTEER PLANTS, REMOVE PLASTIC BARRIER AND RE-MULCH SHRUB BEDS AS DESCRIBED ABOVE.

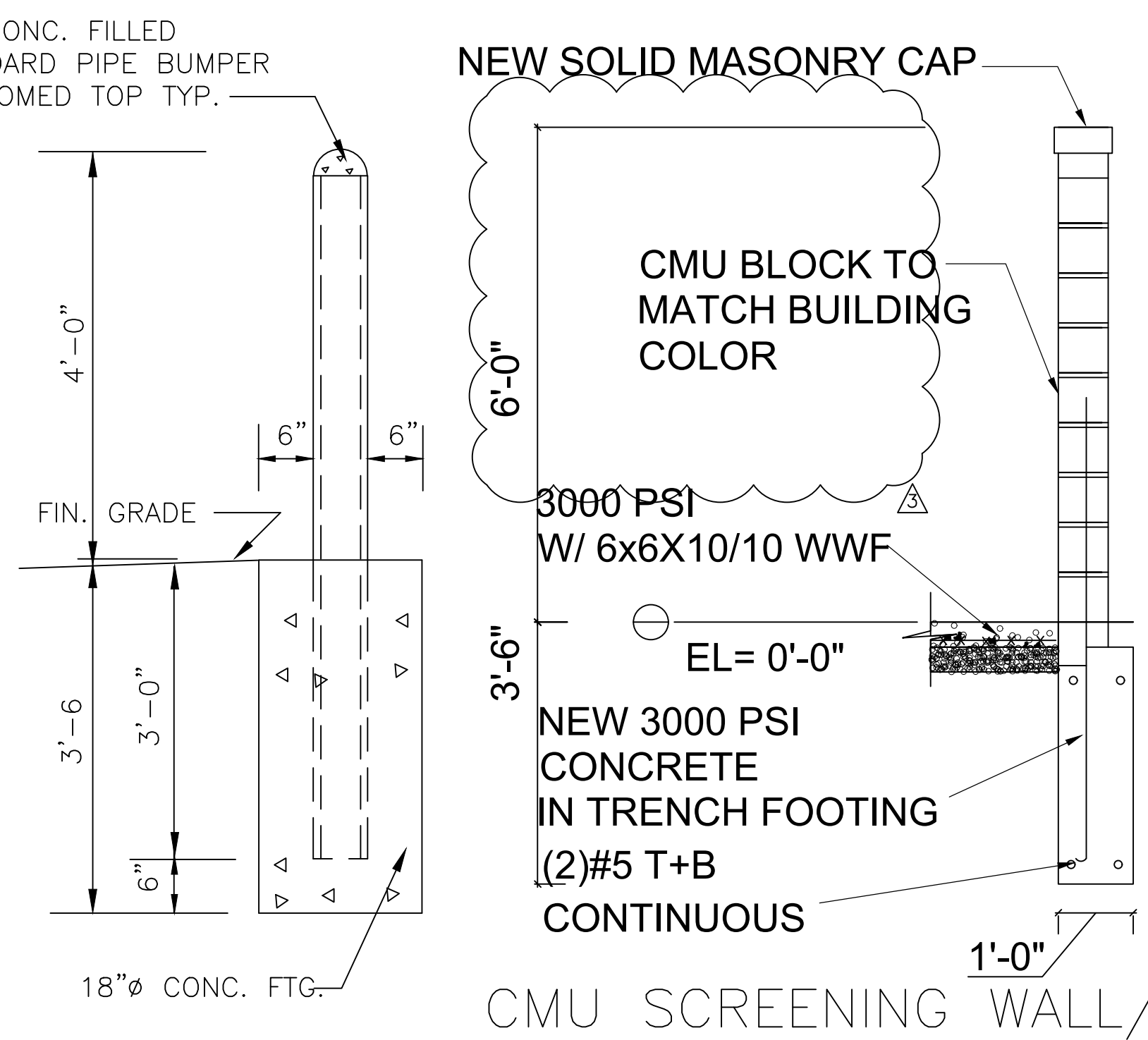


DISPOSE OF ALL NON-BIODEGRADABLE MATERIAL



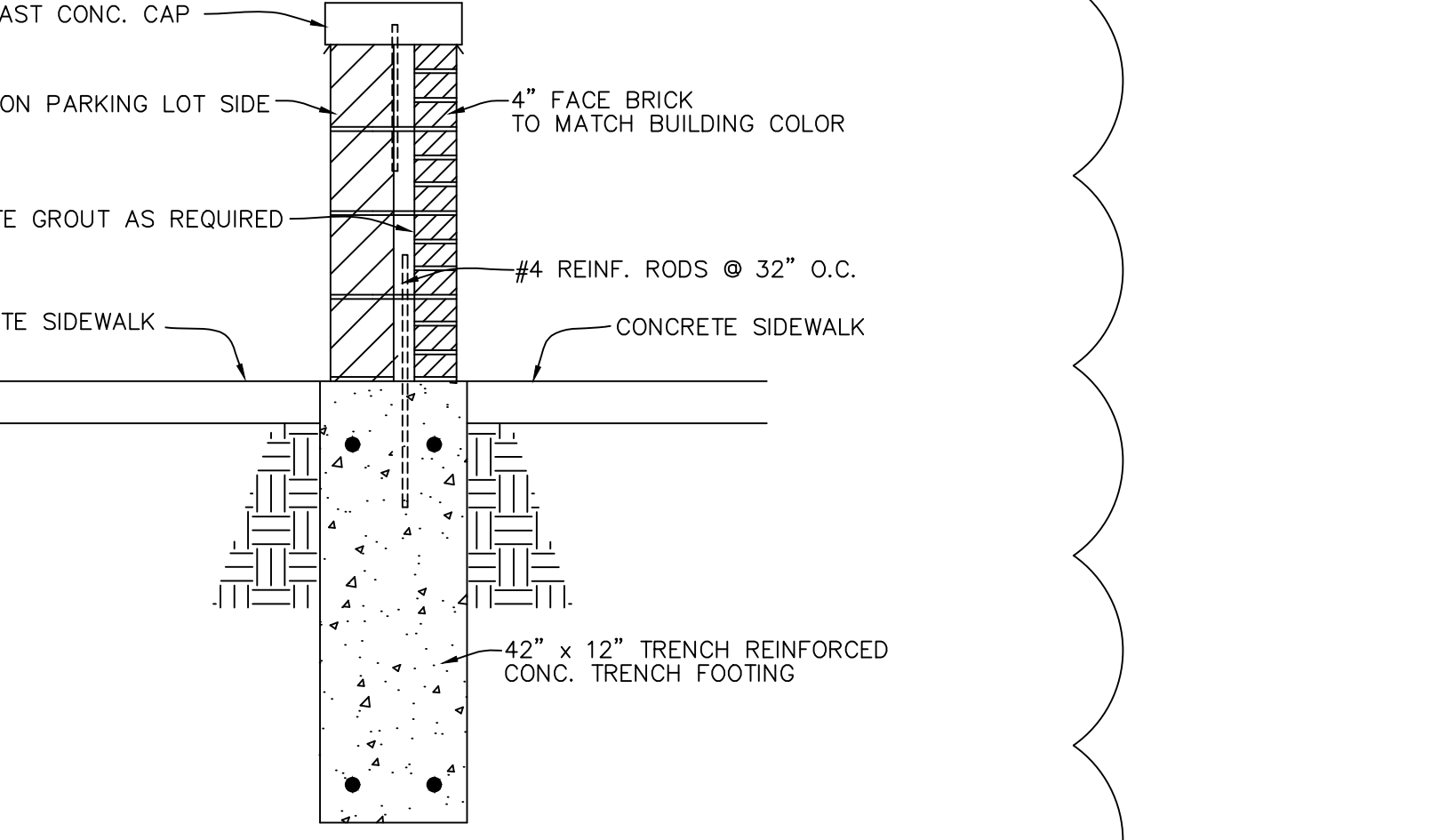
SHRUB PLANTING DETAIL

SCALE: NOT TO SCALE



BUMPER POST DETAIL N.T.S.

SECTION N.T.S.



MASONRY/BRICK SCREENING WALL

SCALE: 3/4" = 1' - 0"

PROJECT:

PROPOSED "RENTAL HALL"

LOCATED AT 12720 LIVERNOIS AVENUE
DETROIT, MICHIGAN

ISSUES/REVISIONS:	ISSUE DATE
BUILDING PERMIT	03/23/23
REVISION NO.2	11/15/23
REVISION NO.3	08/05/24
REVISION NO.4	09/17/24
REVISION NO.5	09/24/24

PROPOSED SITE PLAN

APPROVED BY:

CHECKED BY:

DESIGNED BY:

DRAWN BY:

ARCH./ENG. SEAL:



SHEET NUMBER:

SP-101