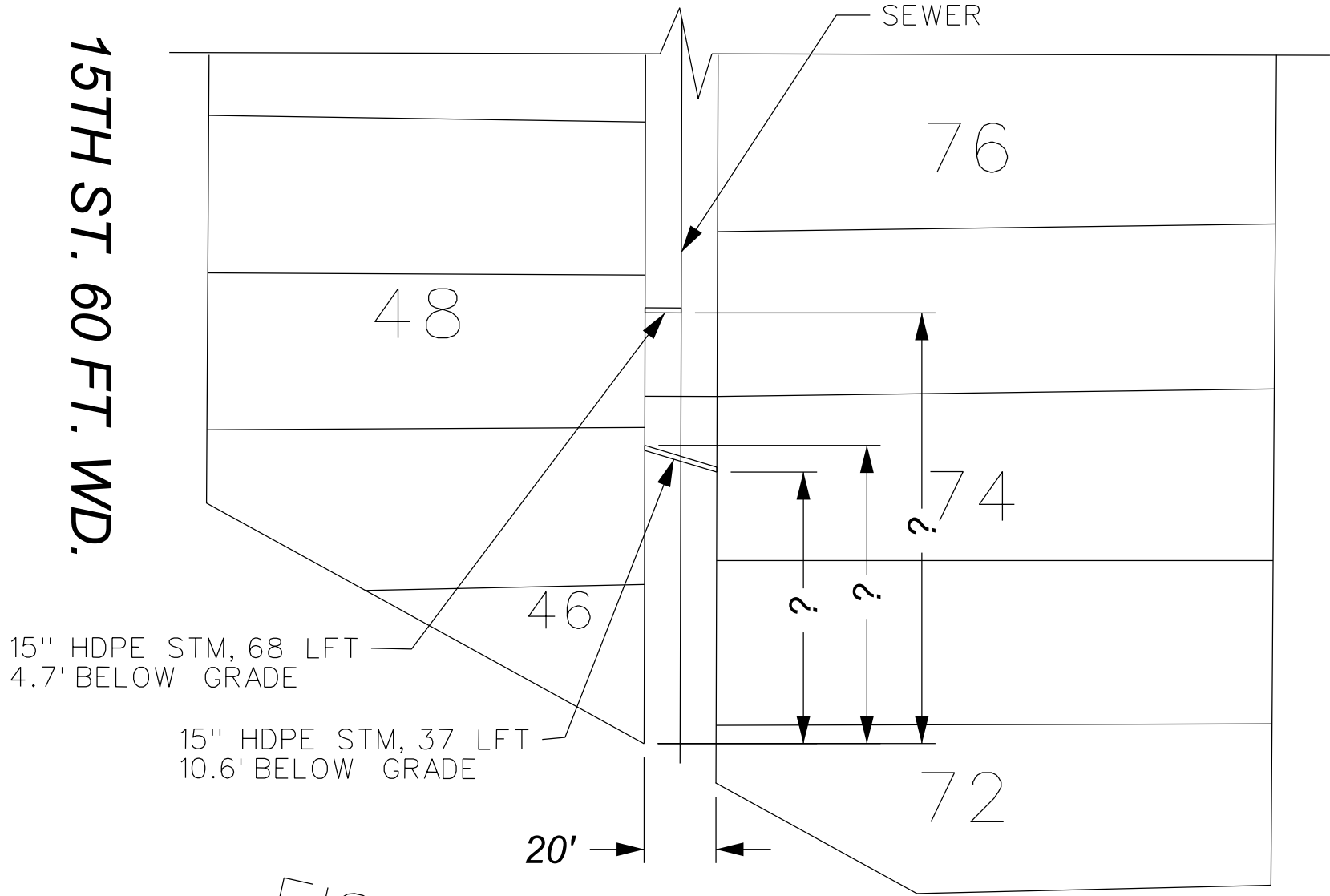


# PERRY ST. 50 FT. WD.

15TH ST. 60 FT. WD.

14TH AVE. 80 FT. WD.



FISHER FREEWAY I-75