

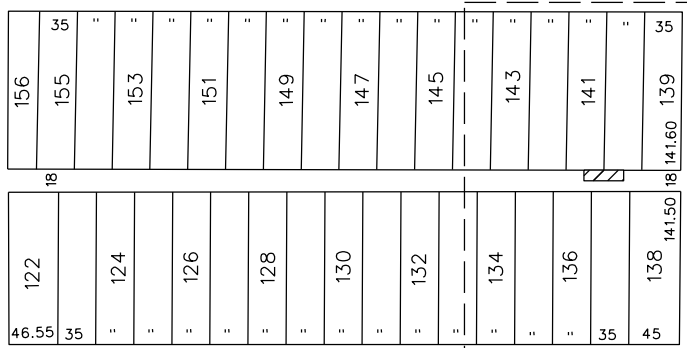
MAP-24-3

SOMERSET AVE. 60 FT. WD.



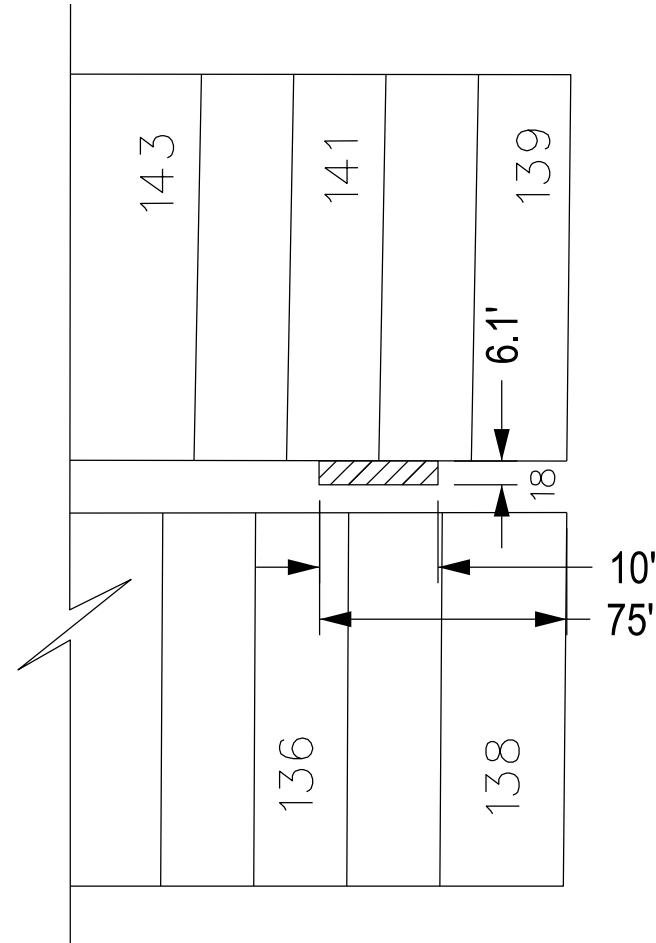
YORKSHIRE RD. 60 FT. WD.

SOMERSET AVE. 60 FT. WD.



BALFORD RD. 60 FT. WD.

GRAYTON AVE. 60 FT. WD.



GRAYTON AVE. 60 FT. WD.

BALFORD RD. 60 FT. WD.

 - REQUEST ENCROACHMENT

(FOR OFFICE USE ONLY)

CARTO - 97 E

B					
A					
DESCRIPTION		DRWN	CHKD	APPD	DATE
REVISIONS					
DRAWN BY	AP	CHECKED		LC	
DATE	01-24-2024	APPROVED		JD	

REQUEST ENCROACHMENT
 INTO SOUTH PUBLIC ALLEY, 18 FT. WD.
 AT 10604 SOMERSET AVE.

CITY OF DETROIT	
CITY ENGINEERING DIVISION	
SURVEY BUREAU	
JOB NO.	24-3
DRWG. NO.	