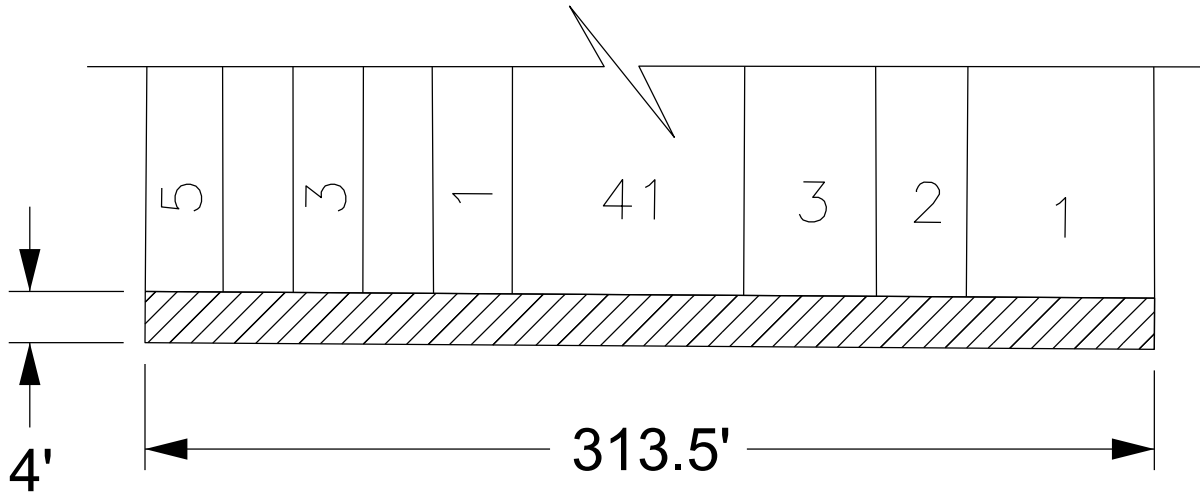


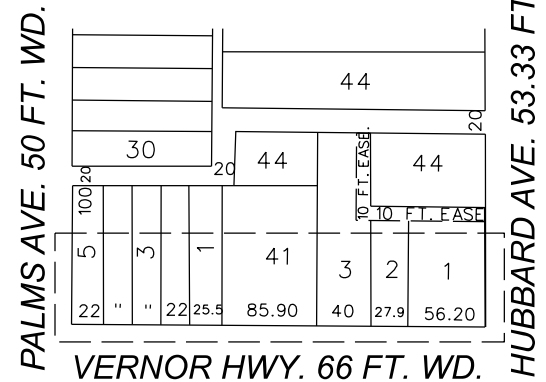
PALMS AVE.

HUBBARD AVE.



VERNOR HWY.

**NOTE:**  
 FROST BLOCK WILL BE  
 INSTALLED IN CONCRETE  
 SLABS BENEATH SIDEWALK  
 IN FRONT OF EACH  
 OUTSWING DOOR



 - REQUEST ENCROACHMENT

(FOR OFFICE USE ONLY)

CARTO 19 D

REQUEST ENCROACHMENT  
 INTO VERNOR HWY.  
 AT 4000 VERNOR HWY.

CITY OF DETROIT  
 CITY ENGINEERING DIVISION  
 SURVEY BUREAU

JOB NO. 23-158

DRWG. NO.

B					
A					
DESCRIPTION	DRWN	CHKD	APPD	DATE	
REVISIONS					
DRAWN BY	AP	CHECKED	LC		
DATE	10-27-2023	APPROVED	JD		