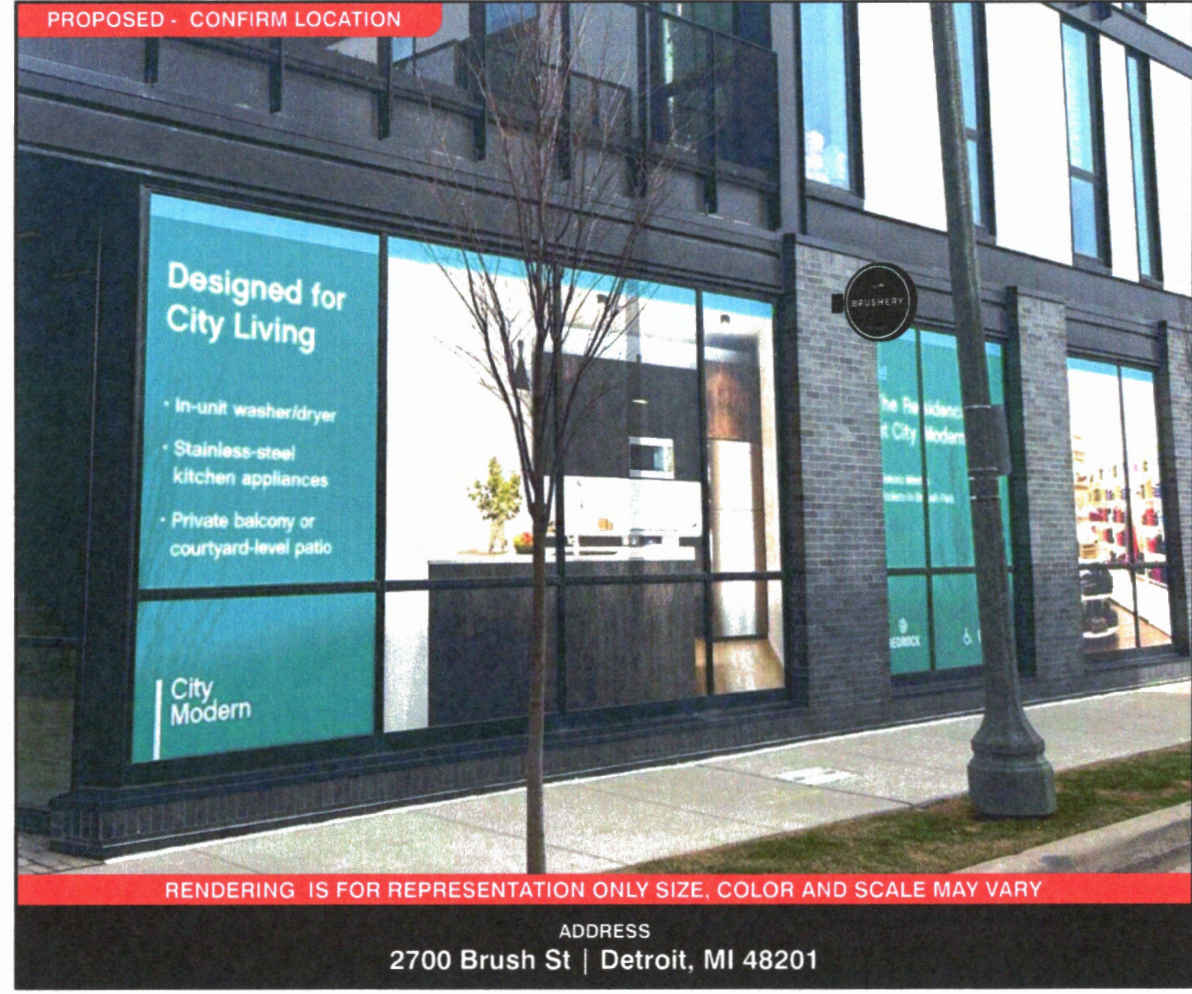
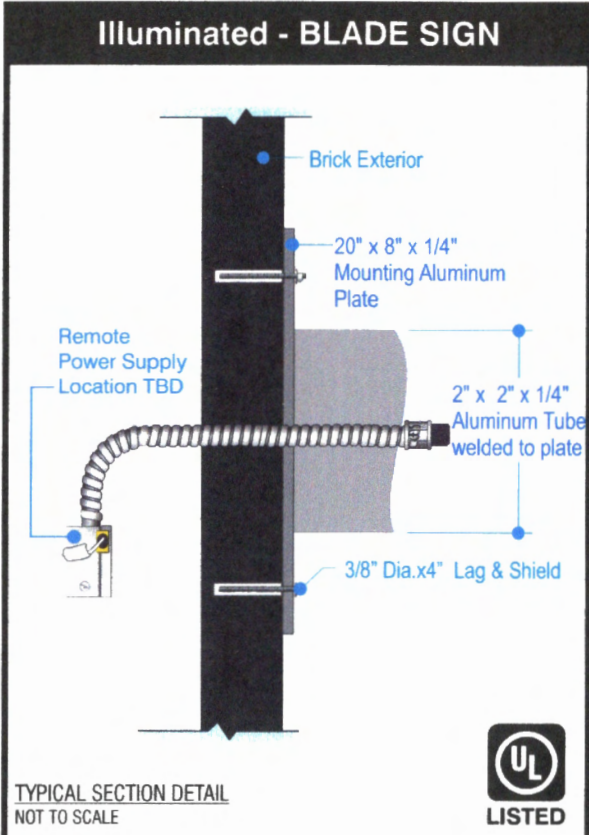


**SIGN DIMENSIONS**

30" Dia. Sign Face - 4.90 Sq. Ft.

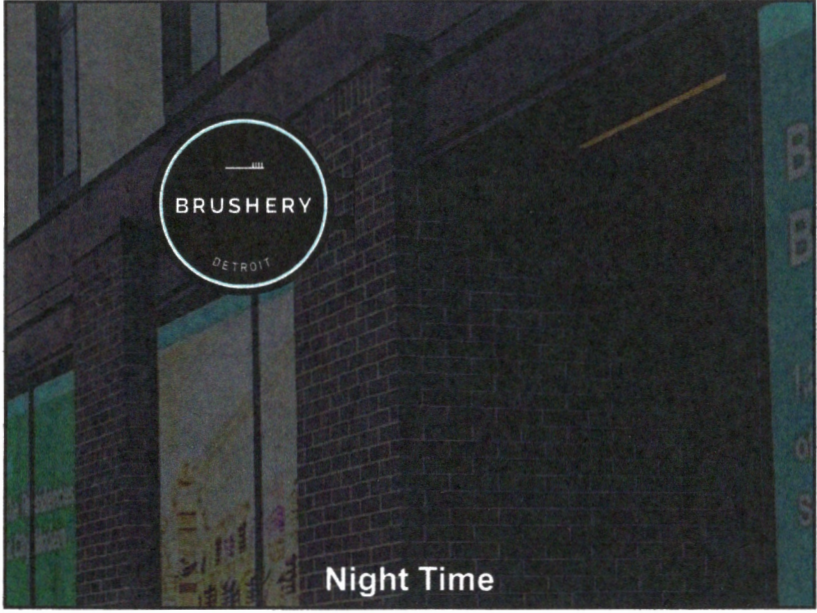


Notes:  
Approximate Sign Weight:  
25 lbs per letter maximum.  
(including mounting hardware)

All Aluminum Sections shall be  
6063-T6 Alloy.

The Sign Mounting is designed for  
115 mph, 3 sec. gust Wind Speed  
for Exposure B, Cat. II Structure as  
per Fig. 1609 of 2015-MBC.

Mounting Hardware shall be  
non-corrosive.



<b>Face</b>	White Polycarb	<b>Vinyl</b>	Black and Match PMS#324c
<b>Cabinet Depth</b>	6"	<b>Cabinet Color</b>	White
<b>Illumination</b>	White LED		
<b>WHITE</b>	<b>BLACK</b>	<b>PMS# 573c</b>	