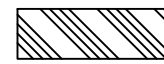
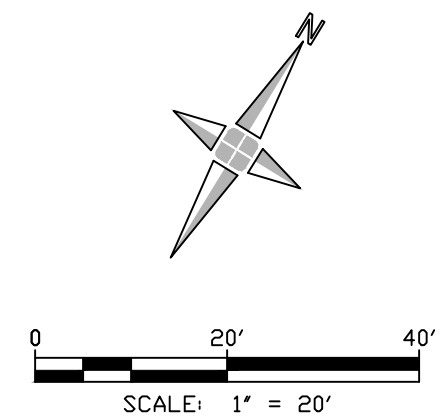


LEGEND



PROPOSED ABOVE GROUND ENCROACHMENT FOR EXISTING AWNINGS INTO PARK AVE AND W MONTCALM RIGHT-OF-WAY.

**ENCROACHMENTS
PLAN VIEW**



Engineers
Surveyors
Planners
Landscape Architects

28 West Adams Road
Suite 1200
Detroit, MI 48226
p (313) 962-4442
f (313) 962-5068
www.giffelswebster.com

Executive: M. Marks
Manager: L. Evans
Designer: D. Diehl, F. Gharib
Quality Control: B. Ndoirelire
Section:



Know what's below.
Call before you dig.

DATE:	ISSUE:
07-26-2023	Original Issue

Developed For:
Kraemer Design Group

1420 Broadway
Detroit, MI 48226

**Encroachment
Exhibit**

2305 Park Ave

City of Detroit
Wayne County
MICHIGAN

Date:	08-02-2023
Scale:	1"=20'
Sheet:	EX-2
Project:	20243.00D

Copyright © 2023 Giffels Webster.
No reproduction shall be made without the
prior written consent of Giffels Webster.