



**DO NOT REPRODUCE**  
This document contains confidential information, and is an instrument of service and property of the architect. It shall not be used on other projects or for the extension of this project without the Architect's written approval.

**PETERBORO HOTEL**  
444 PETERBORO ST., DETROIT, MI 48201

Revisions:

**ISSUE FOR PERMIT**

Issue Date: 6/16/23

Architect: R.AVERY

Drawn By: R.SOLINSKI

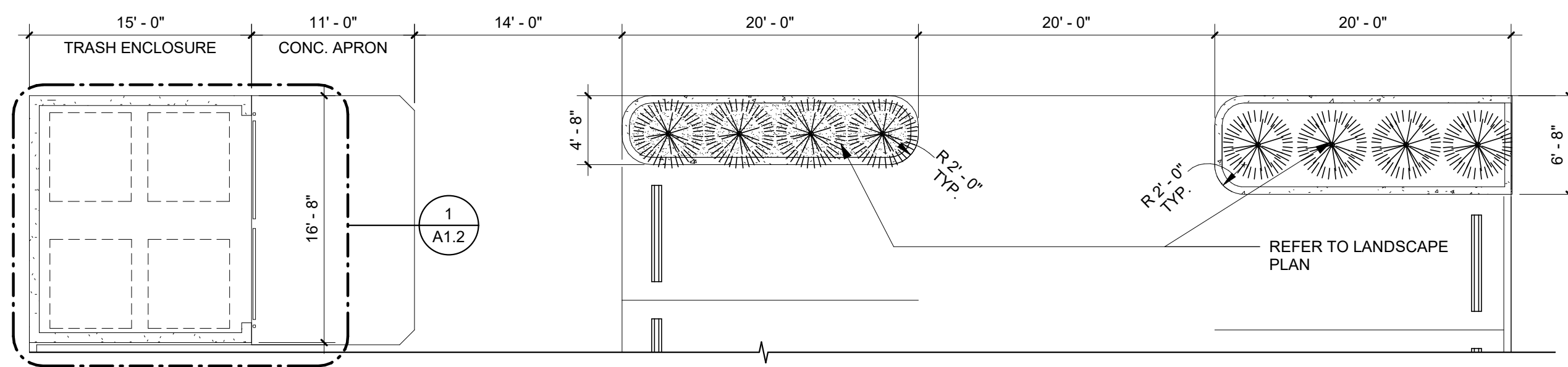
Check By: R.AVERY

Project No. Q-51110-0050

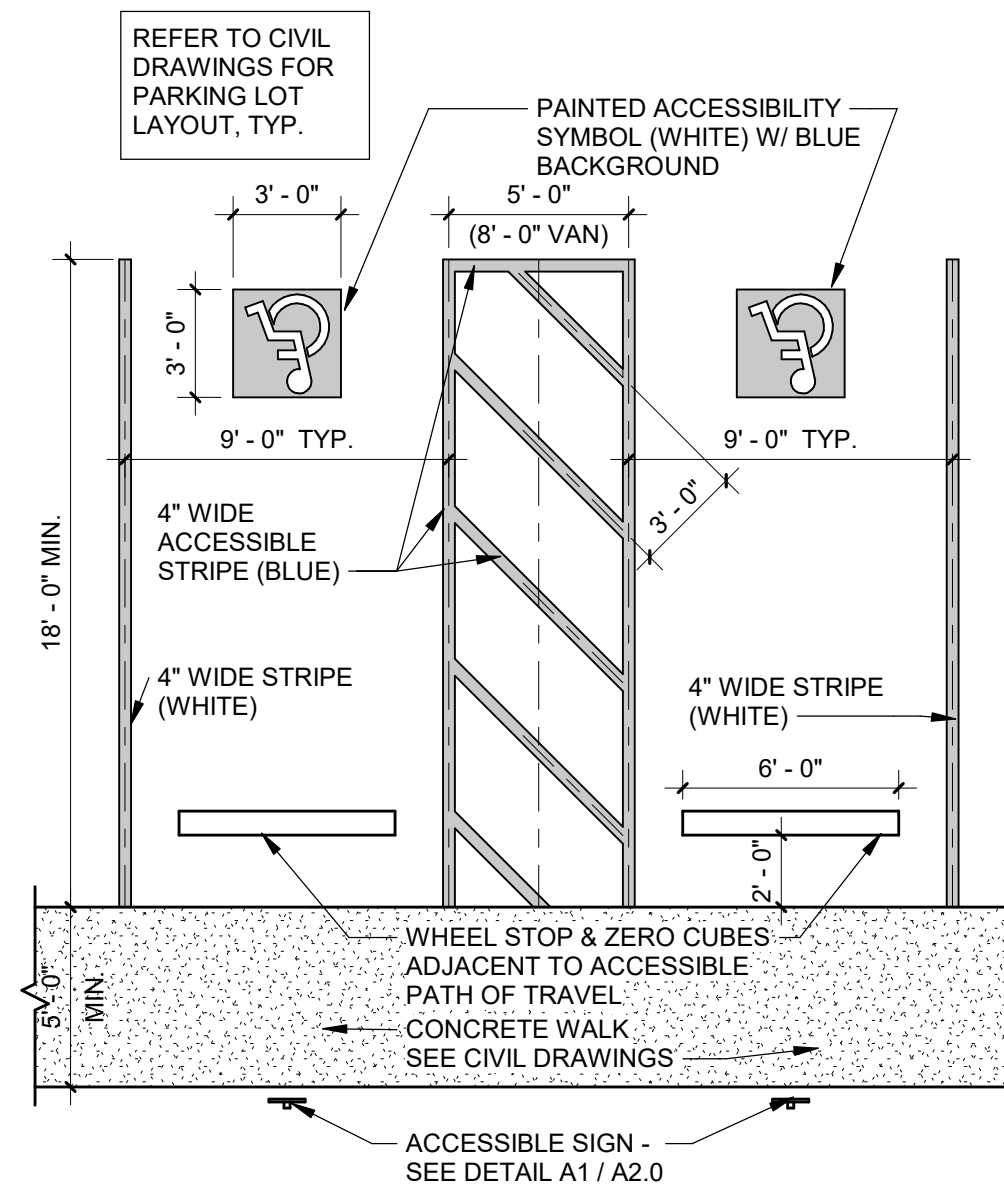
Title: ARCHITECTURAL SITE DETAILS

Sheet No.

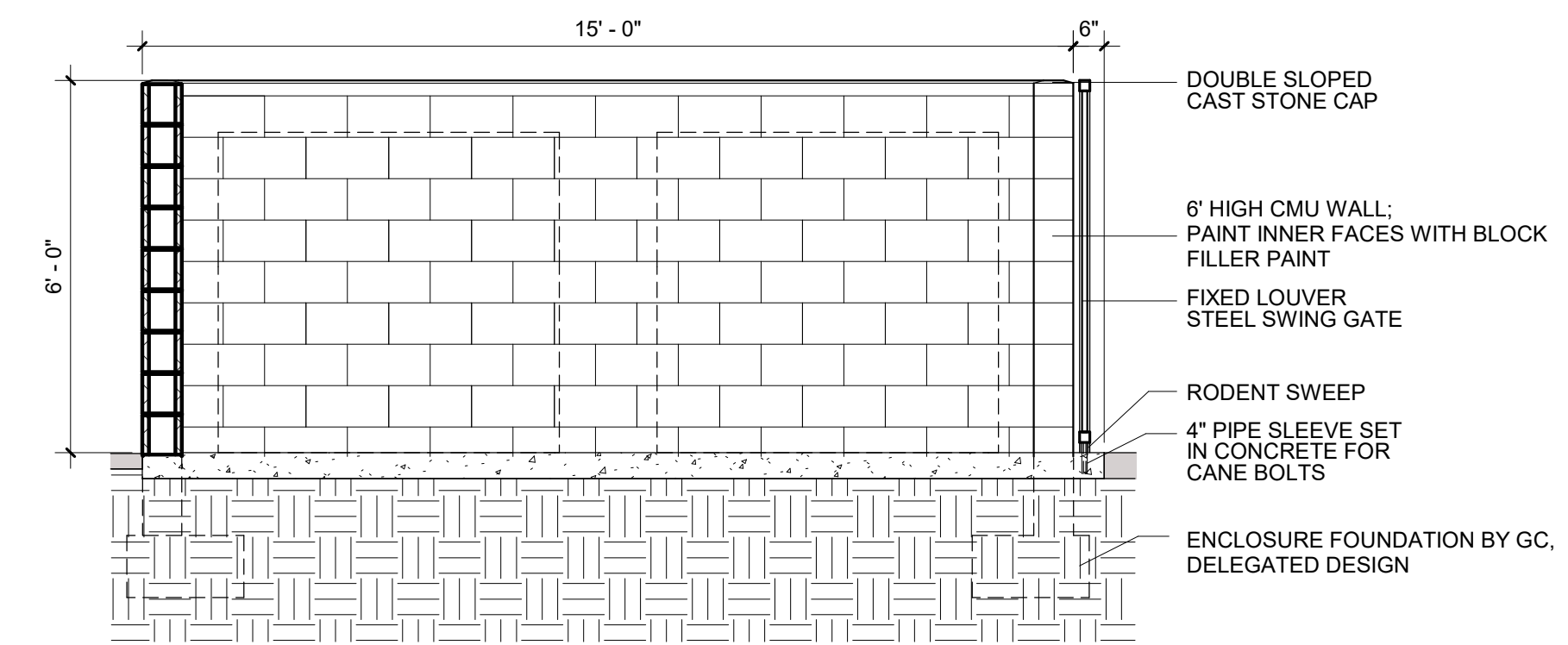
**A1.2**



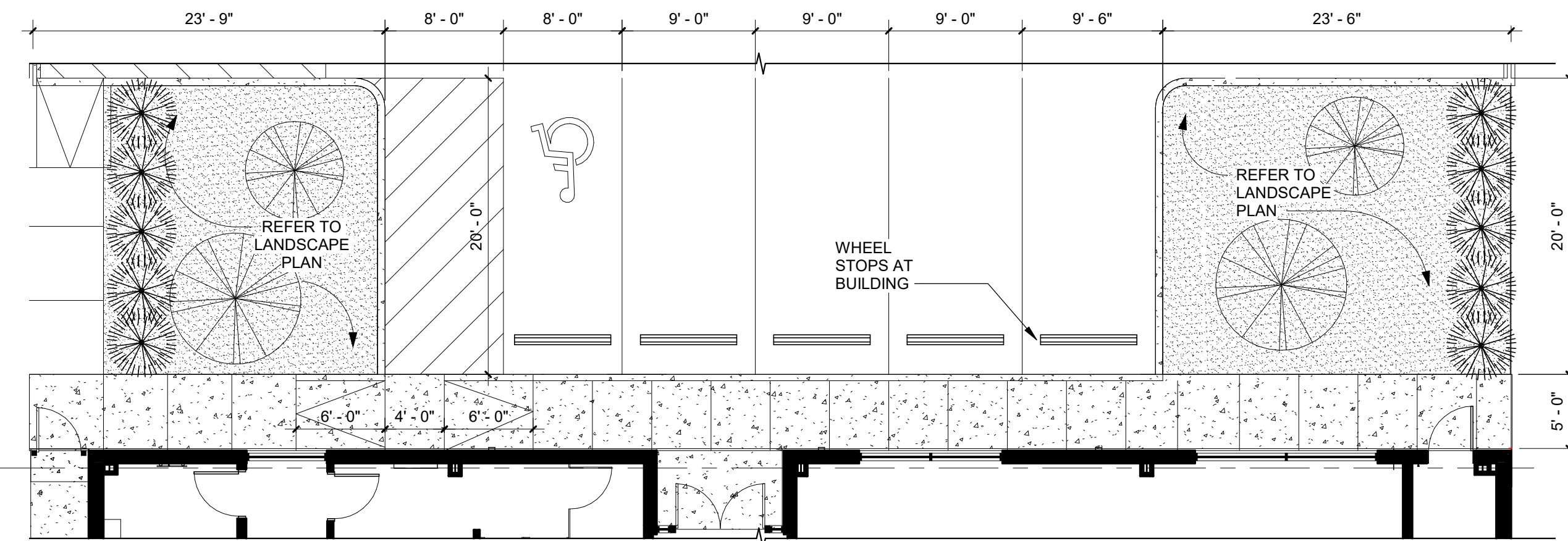
**6 LANDSCAPING CALLOUT AT NORTH ALLEY**  
1/8" = 1'-0"



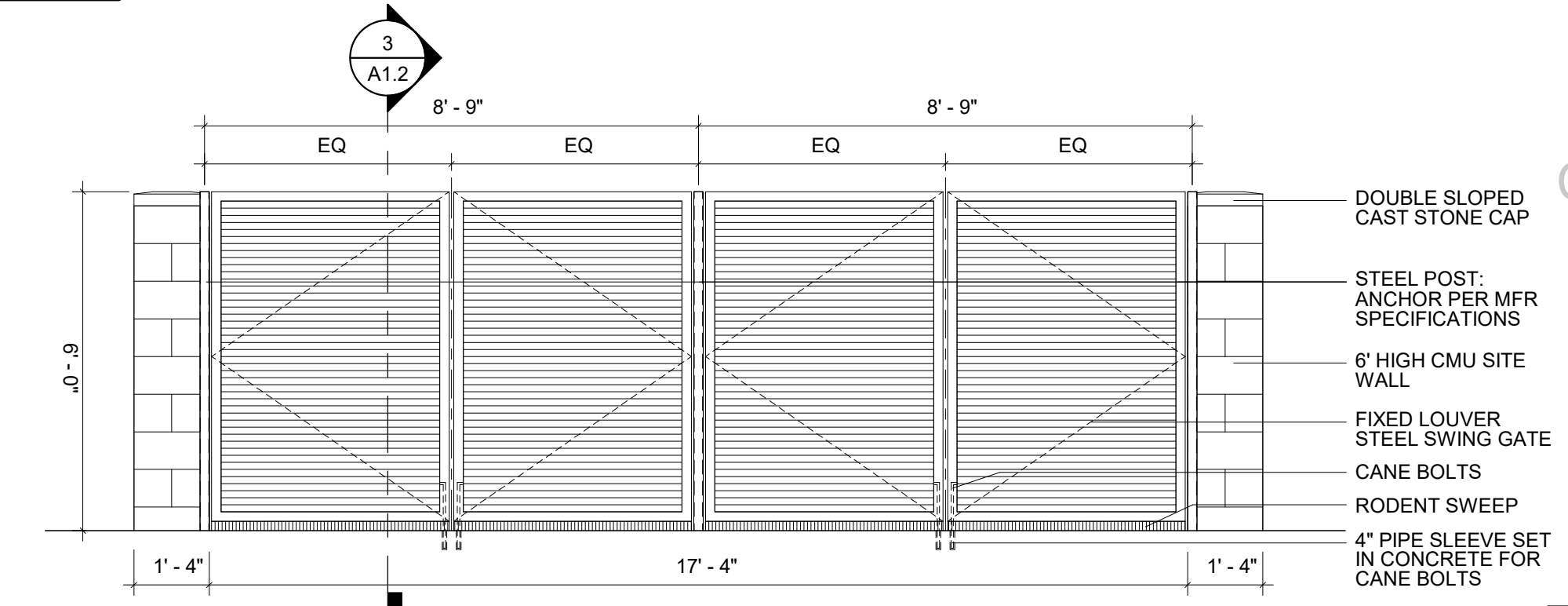
**7 ACCESSIBLE PARKING ISLE STRIPING**  
3/16" = 1'-0"



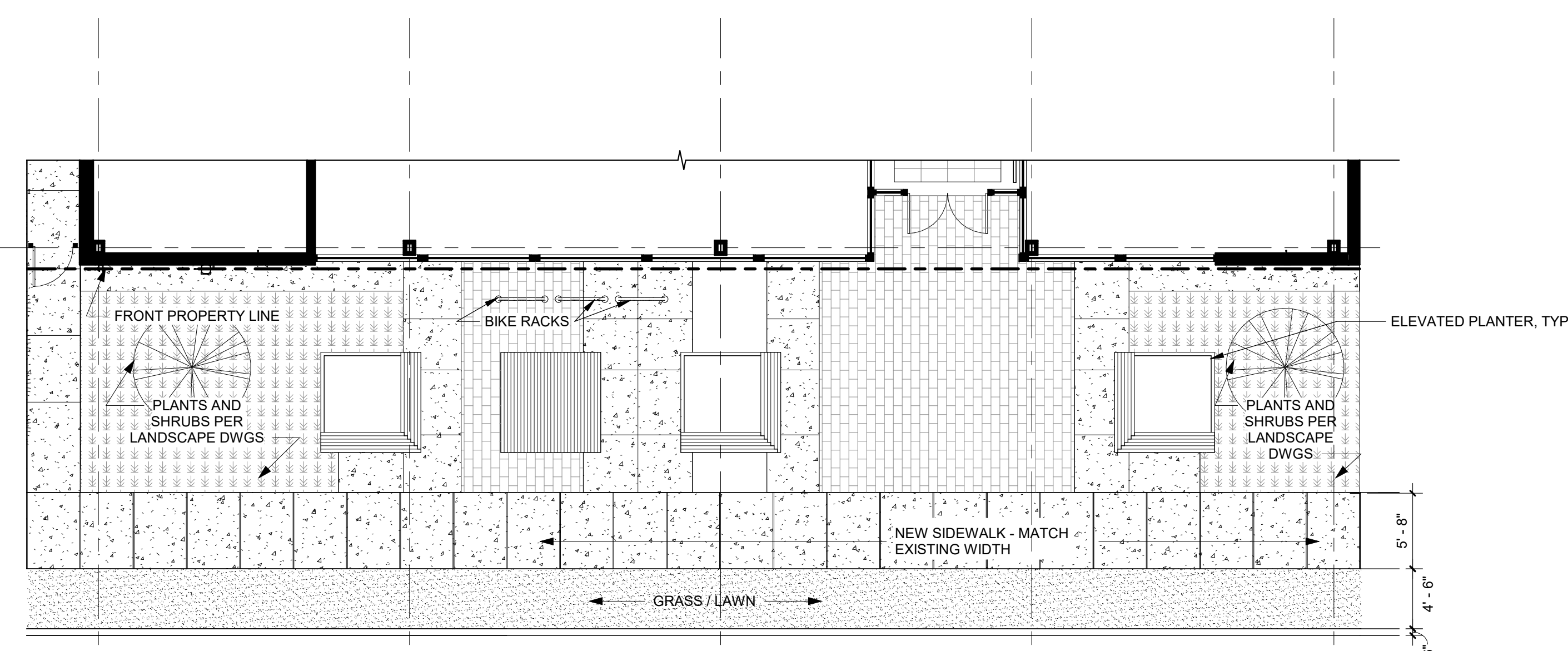
**3 SECTION - TRASH ENCLOSURE**  
3/8" = 1'-0"



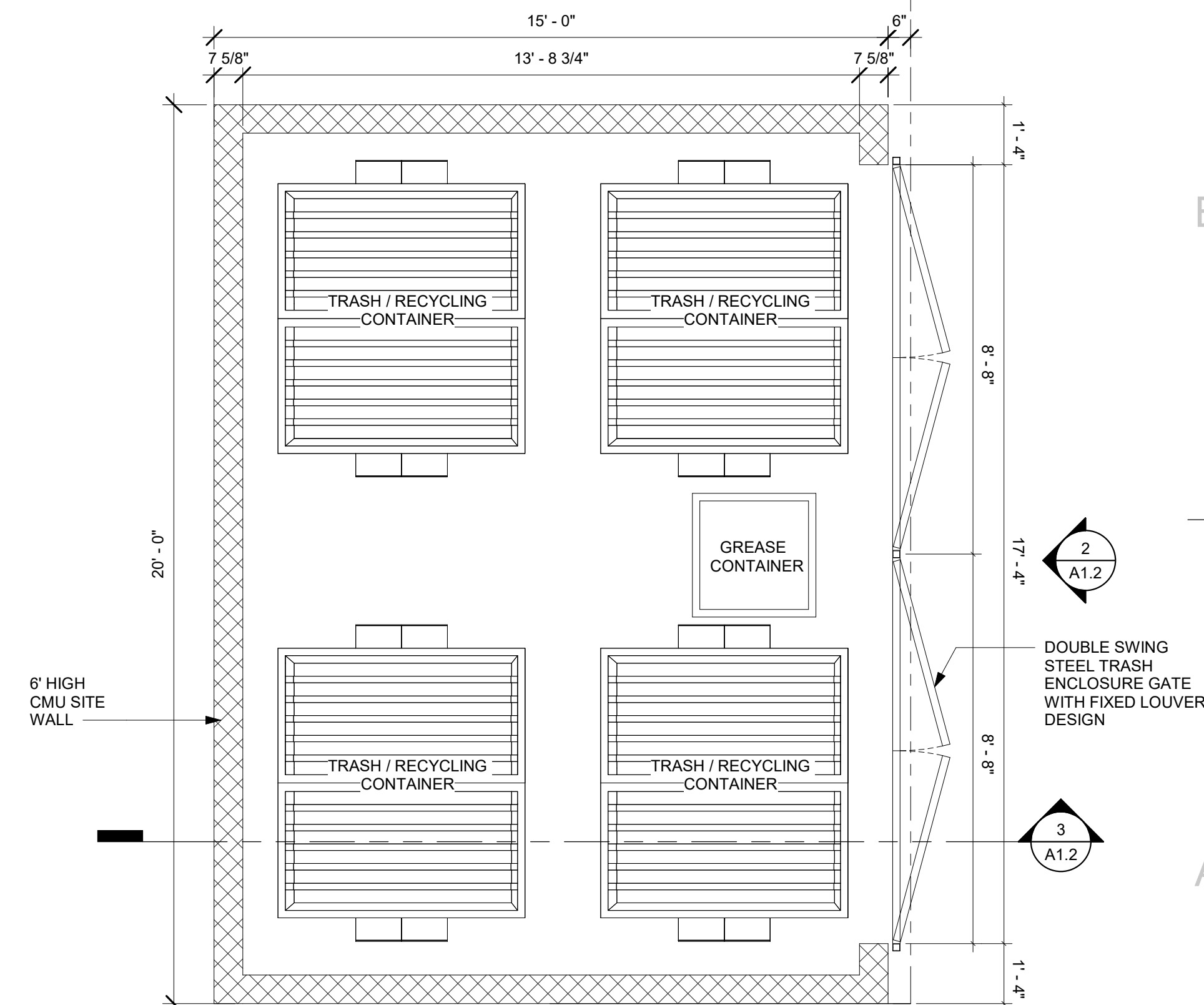
**5 LANDSCAPING CALLOUT AT PARKING APRON**  
1/8" = 1'-0"



**2 ELEVATION - TRASH ENCLOSURE (EAST)**  
3/8" = 1'-0"



**4 LANDSCAPING CALLOUT AT STREET ENTRY**  
1/8" = 1'-0"



**1 ENLARGED PLAN - TRASH ENCLOSURE**  
3/8" = 1'-0"