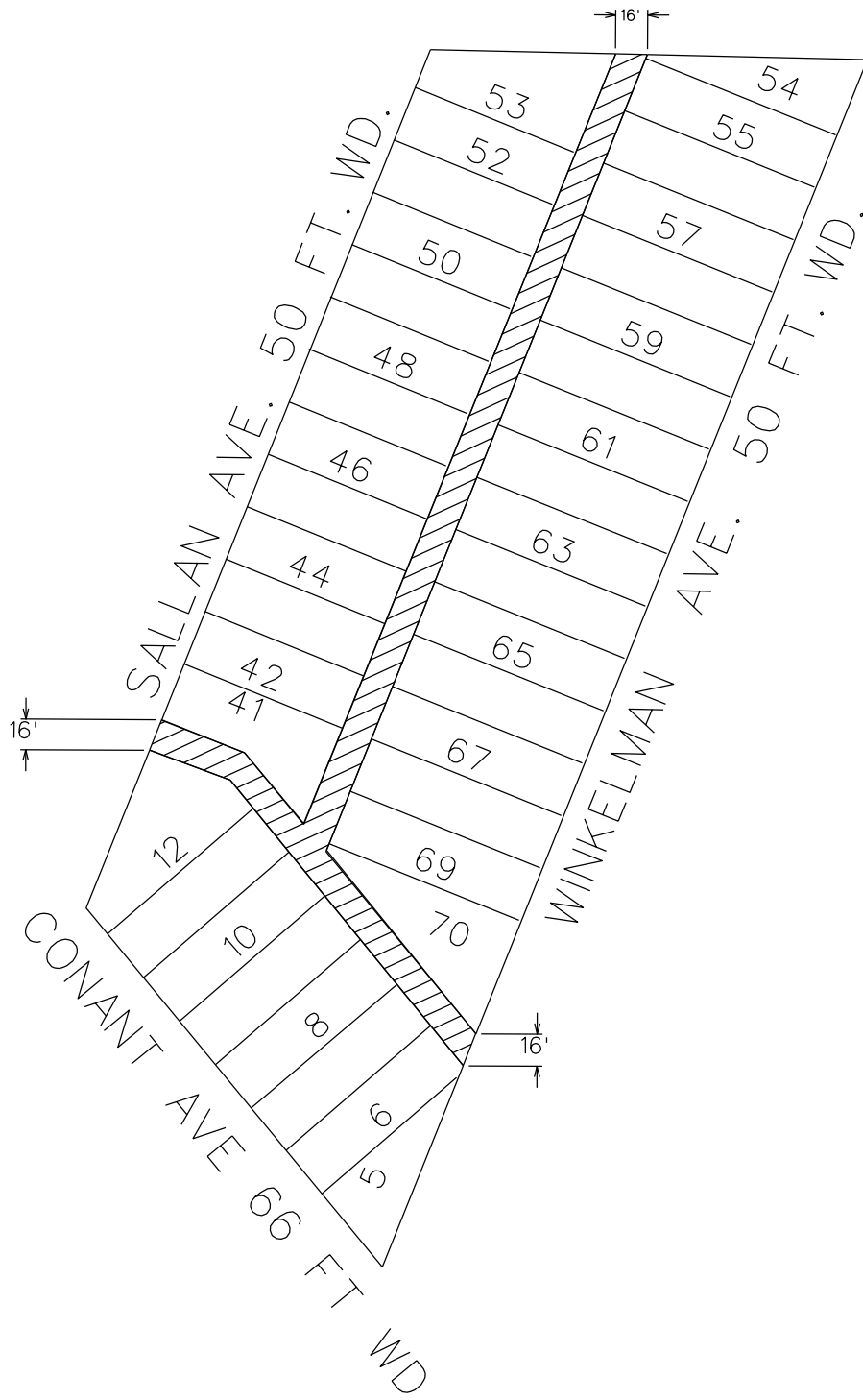


MAP-23-19



 -UTILITY EASEMENT

(FOR OFFICE USE ONLY)

CARTO 49 C

B					
A					
DESCRIPTION		DRWN	CHKD	APPD	DATE
REVISIONS					
DRAWN BY	MW	CHECKED		JD	
DATE	02-28-23	APPROVED		JD	

UTILITY EASEMENT BETWEEN WINKELMAN,
SALLAN, AND CONANT AVENUES

CITY OF DETROIT CITY ENGINEERING DIVISION SURVEY BUREAU	
JOB NO.	23-19
DRWG. NO.	49 C