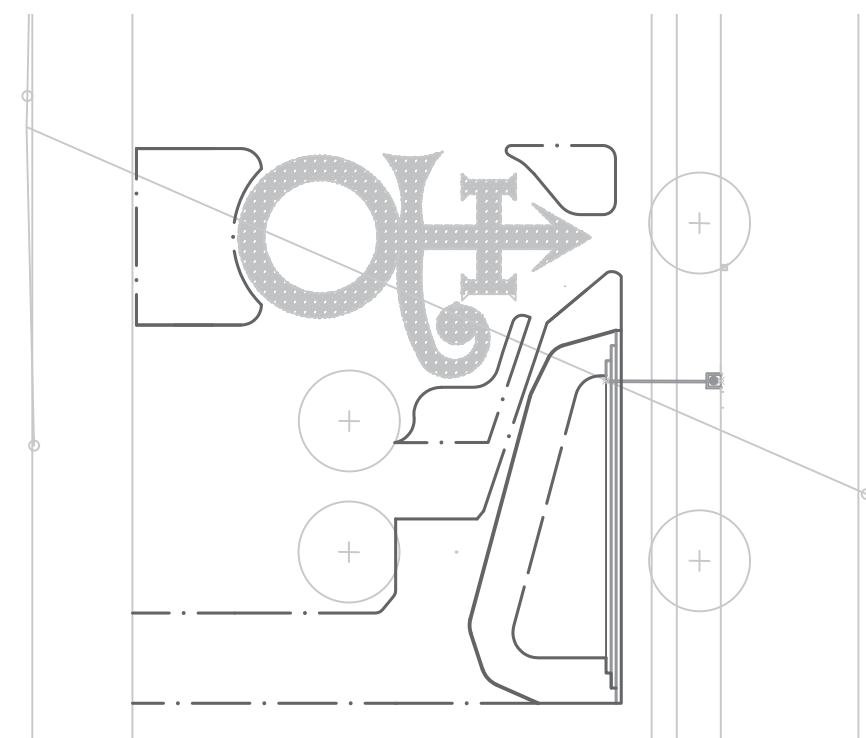
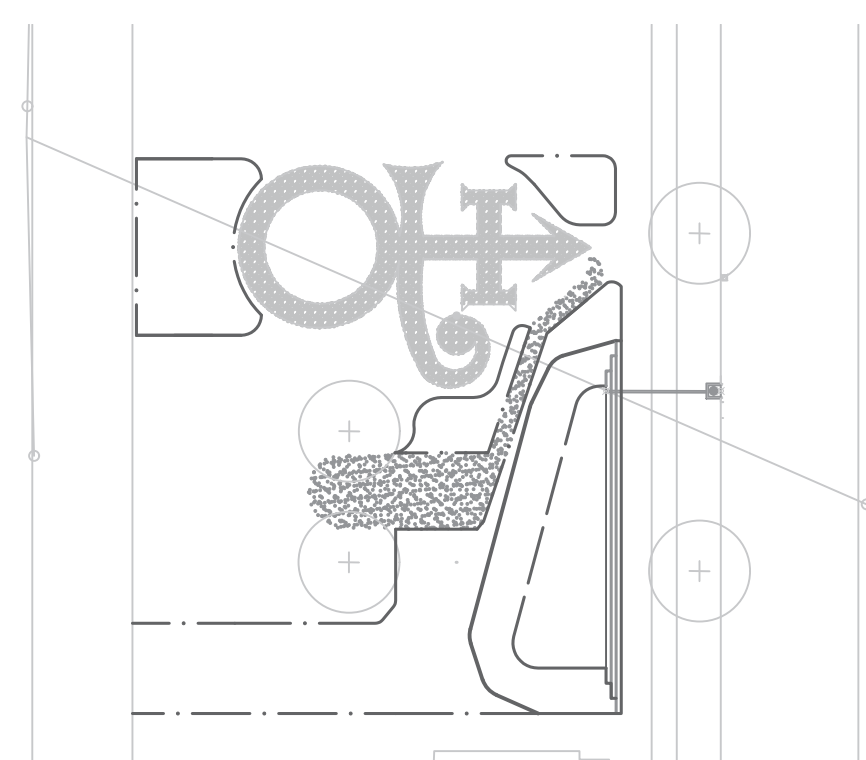


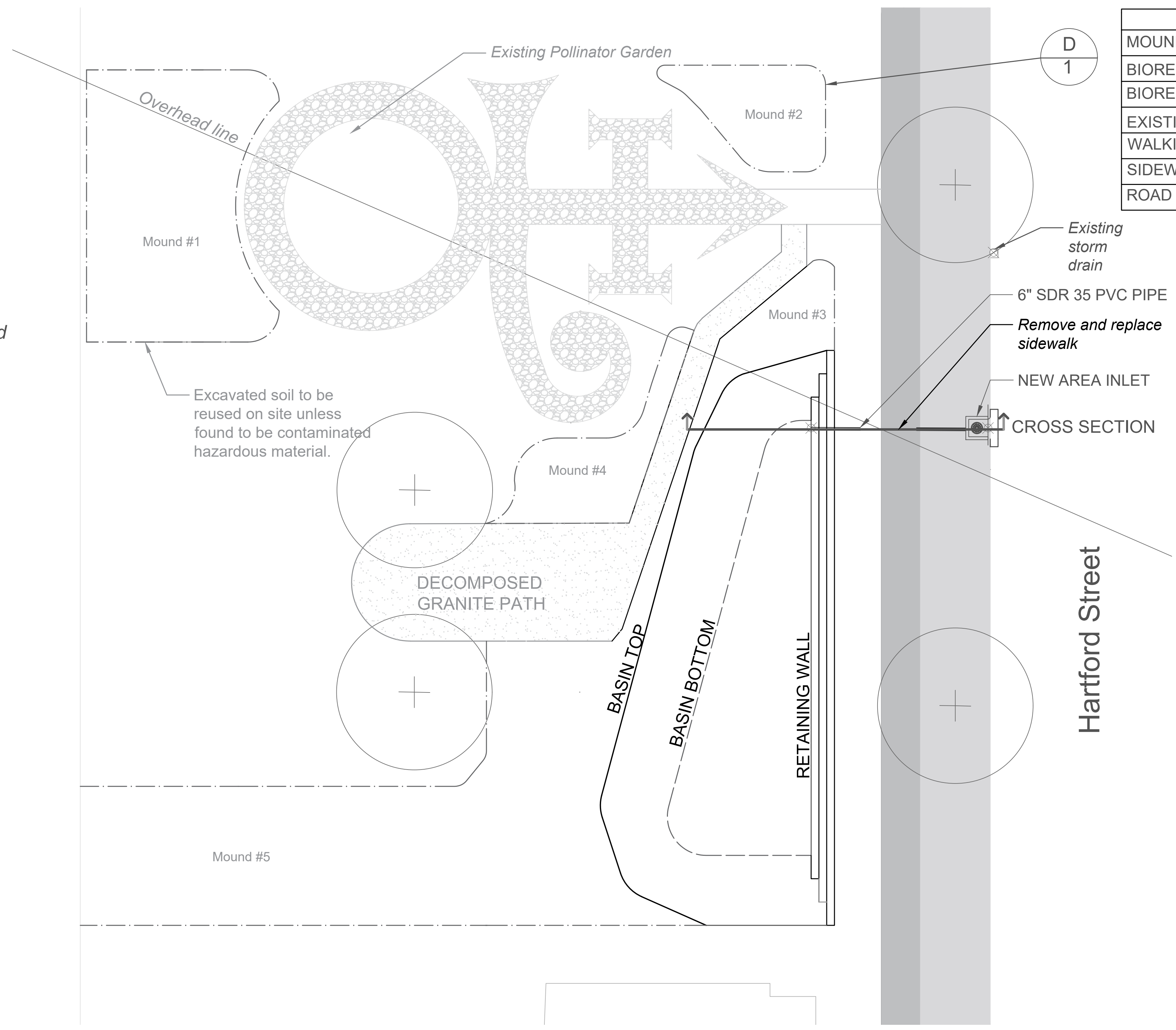
PHASE 1: Pollinator Garden, Completed



PHASE 2: BIORETENTION

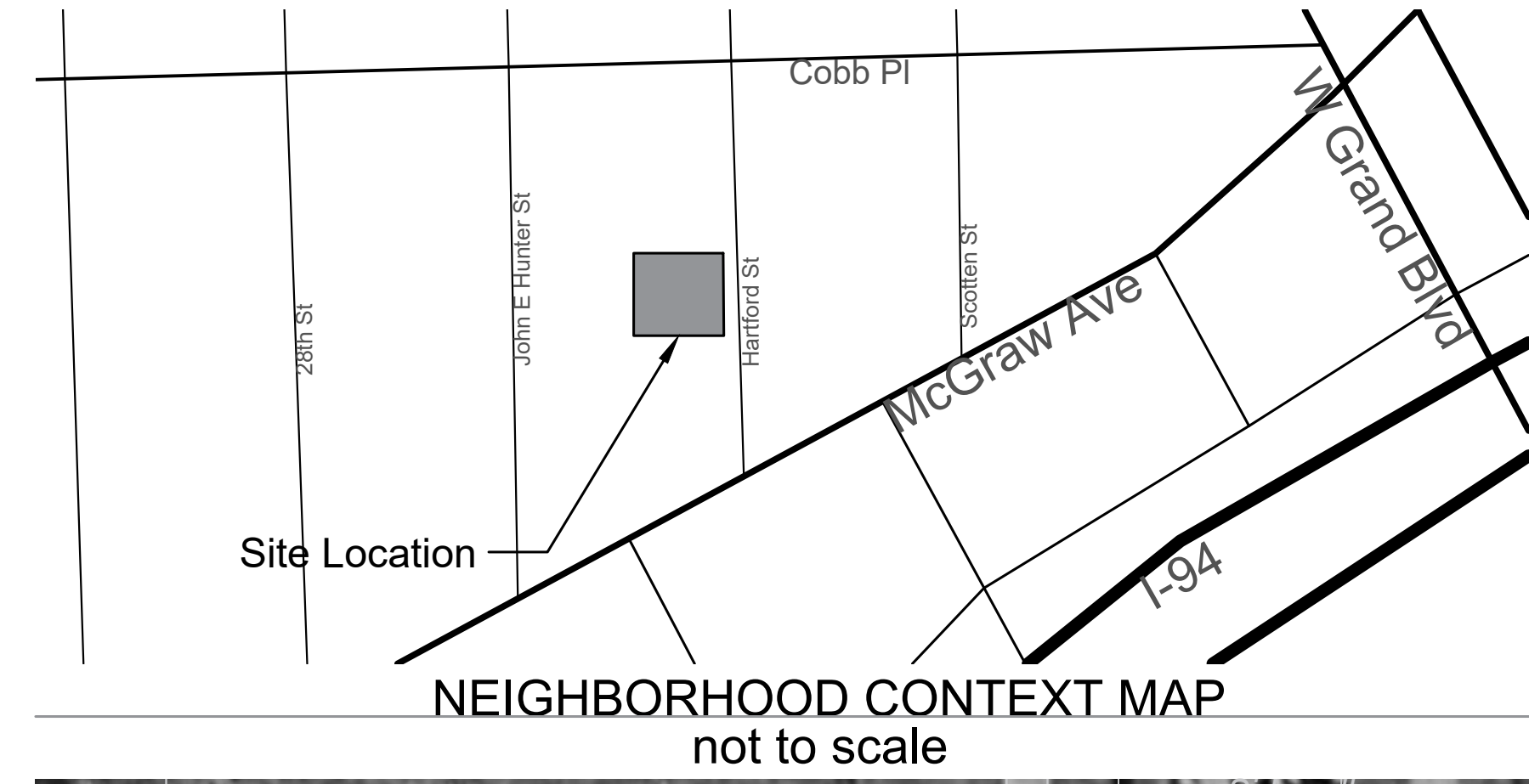
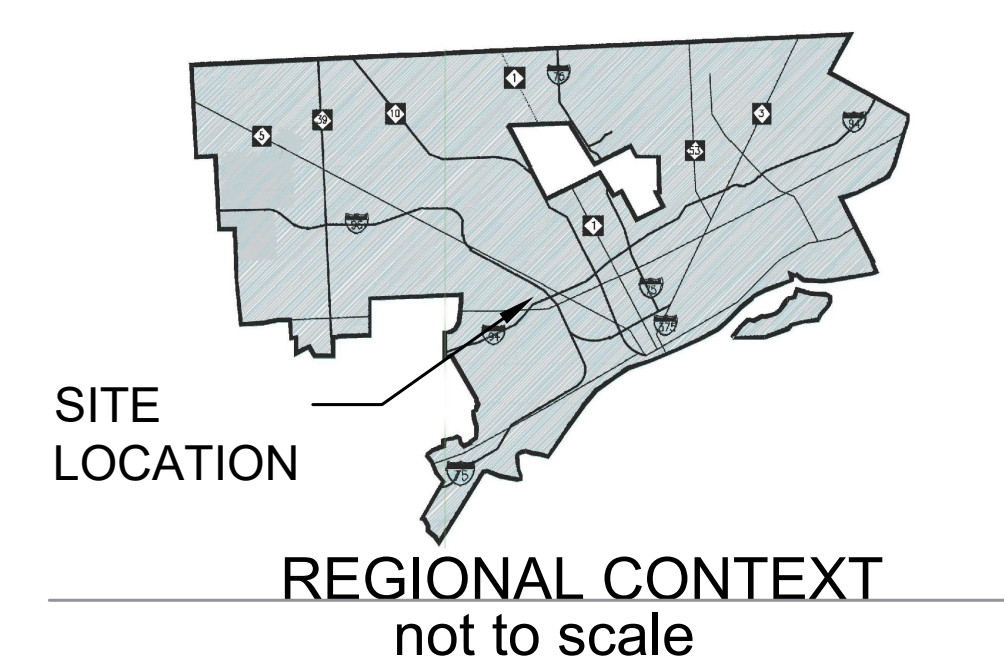


PHASE 3: BIORETENTION PATH

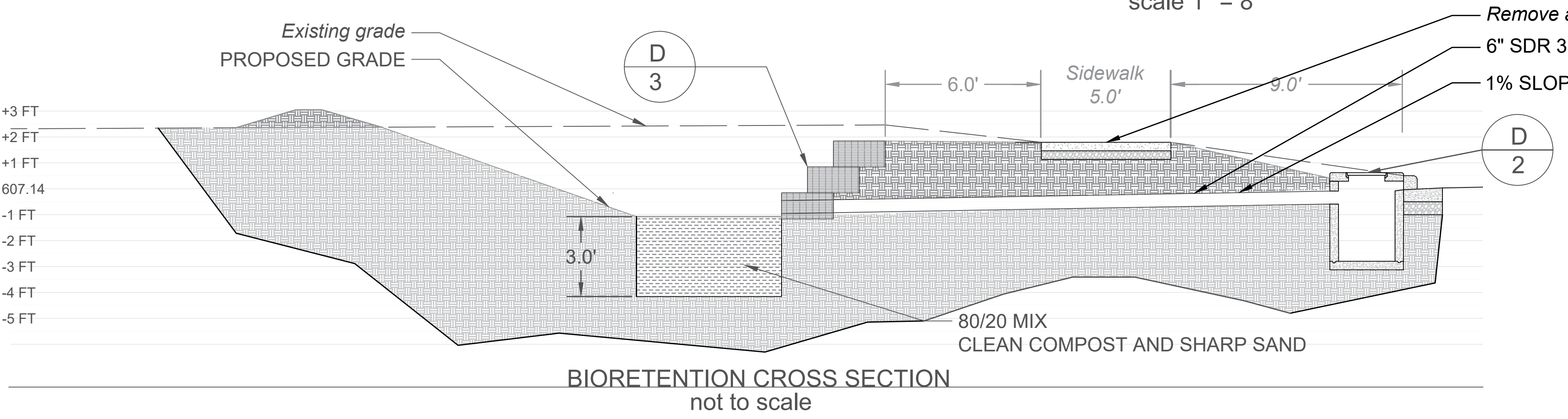


LANDSCAPE PLAN
scale 1" = 8'

Key	
MOUND BASE	---
BIORETENTION TOP	---
BIORETENTION BOTTOM	---
EXISTING TREE	+
WALKING PATH	[Pattern]
SIDEWALK	[Pattern]
ROAD RIGHT OF WAY	[Pattern]



SITE CONTEXT
not to scale

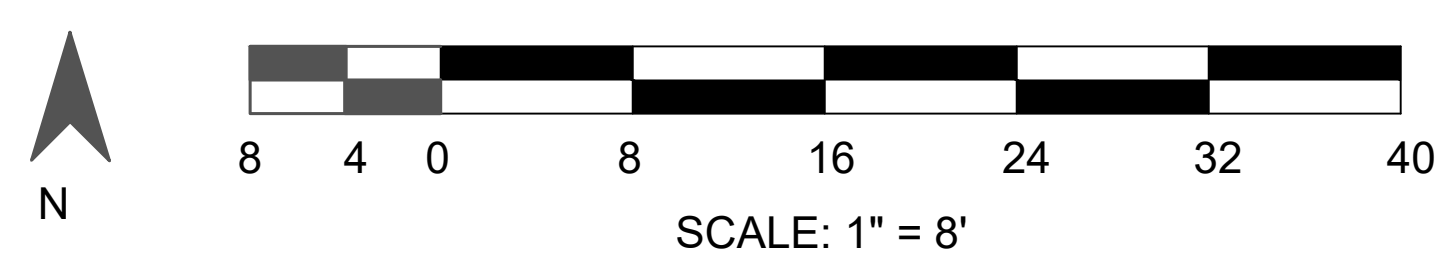


BIORETENTION CROSS SECTION
not to scale

Date: Aug 31, 2022
revised: Aug 31, 2022

DRAWN BY: DF

REVIEWED BY:



LP - 1: LAYOUT

LANDSCAPE PLAN FOR:
My Community Speaks Inc.
5656 Hartford Street
Detroit, Michigan 48201

LANDSCAPE PLAN BY:
Friends of the Rouge
650 Church Street, Suite 209
Plymouth, Michigan 48170
(734) 927-49200

* Base data from Google Earth Aerial Photograph.

PROJECT LOCATION:
5651 Hartford Street
City of Detroit,
Michigan 48207

