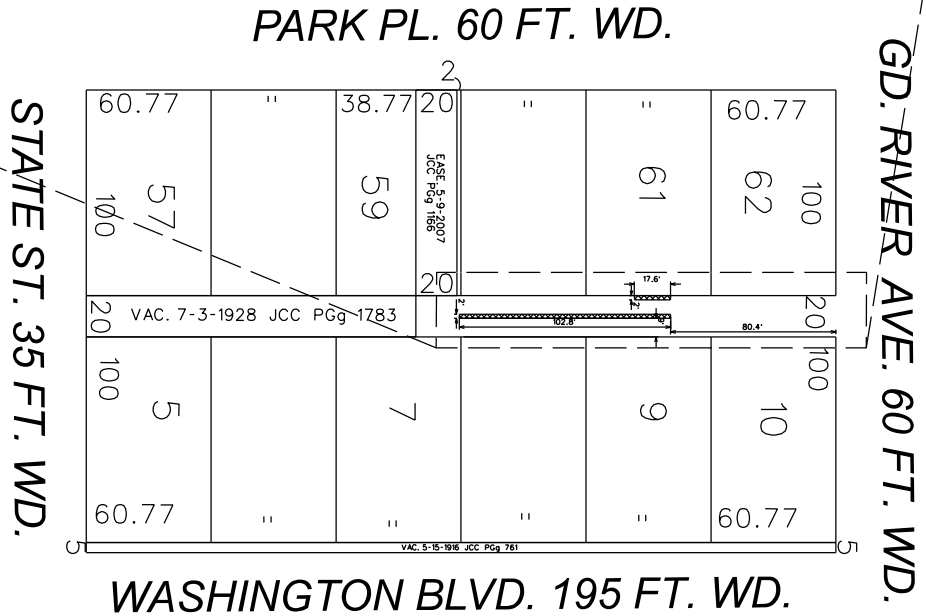
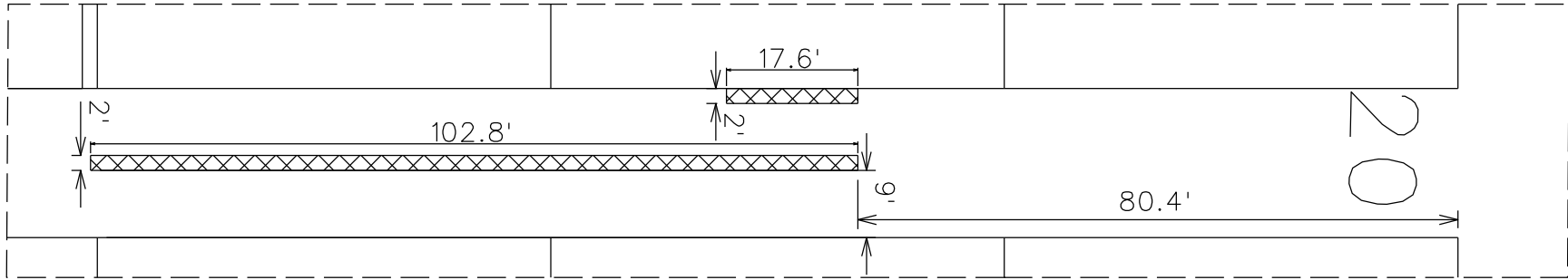


PETITION ID MAP-22-64  
 AT GRADE ENCROACHMENTS  
 SLOT DRAIN



- REQUESTED AT GRADE ENCROACHMENTS

REQUEST ENCROACHMENT INTO THE NORTH-SOUTH  
 PUBLIC ALLEY 20 FT. WD. BOUND BY WASHINGTON BLVD, STATE ST,  
 GRAND RIVER AVE. & PARK PL

CITY OF DETROIT  
 CITY ENGINEERING DIVISION  
 SURVEY BUREAU

MC	FOR OFFICE USE ONLY			
08-04-2022	JD			

22-64

CARTO 28 B