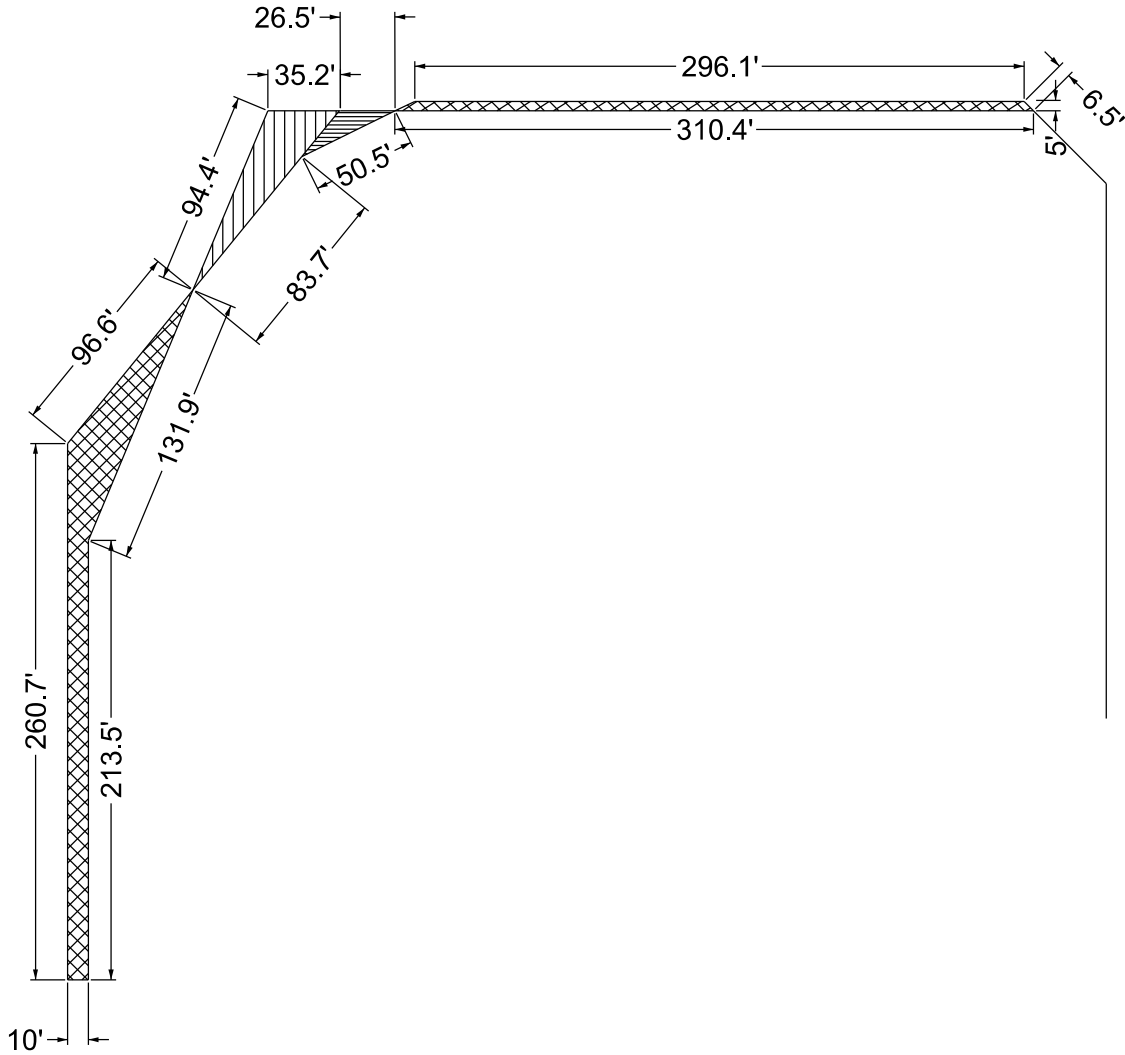




LACOMBE DR.

VERNOR HWY.

15TH ST.



- R.O.W. DEDICATION



- VACATION WITH UTILITY EASEMENT



- OUTRIGHT VACATION

(FOR OFFICE USE ONLY)

CARTO 19 E

B					
A					
DESCRIPTION	DRWN	CHKD	APPD	DATE	
REVISIONS					
DRAWN BY	MC	CHECKED			
DATE	9/6/2022	APPROVED		JD	

VARIOUS VACATIONS AND DEDICATIONS OF R.O.W. IN THE BLOCK BOUND BY VERNOR HWY, LACOMB DR. & 15TH ST

CITY OF DETROIT  
CITY ENGINEERING DIVISION  
SURVEY BUREAU

JOB NO.

DRWG. NO.