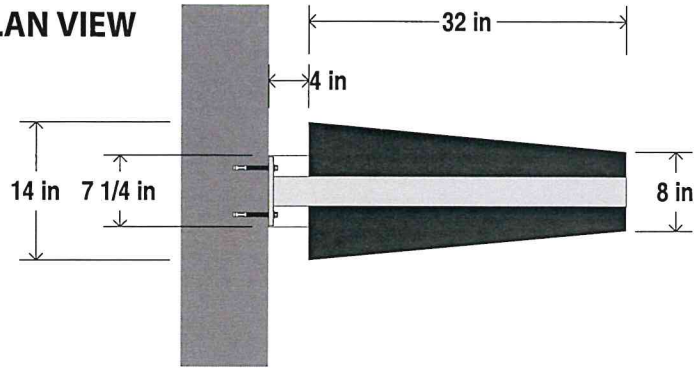
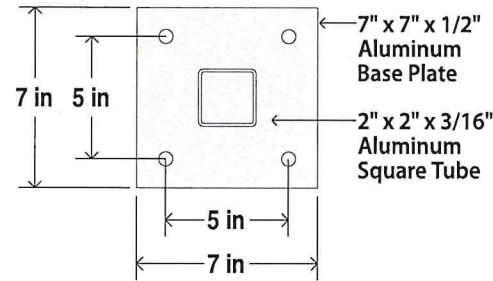


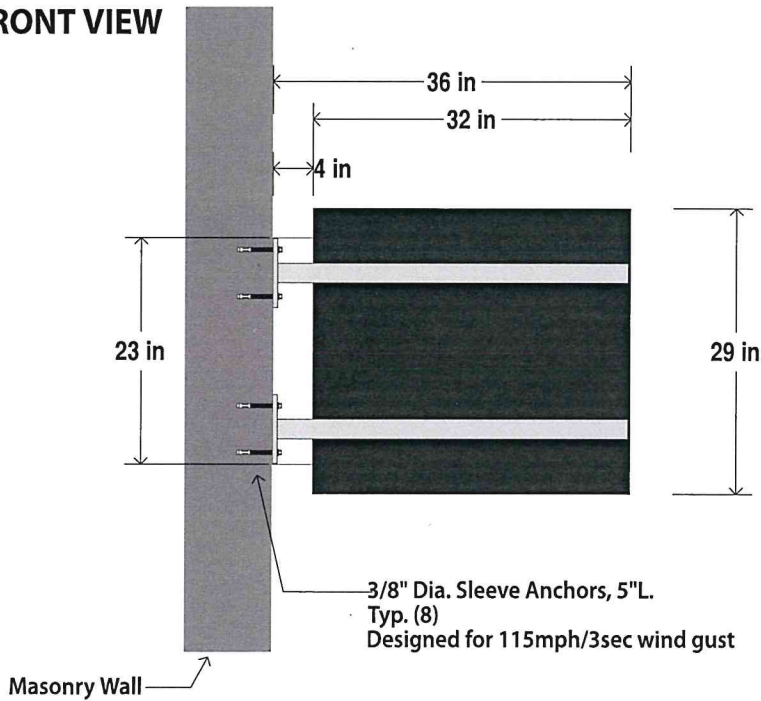
**PLAN VIEW**



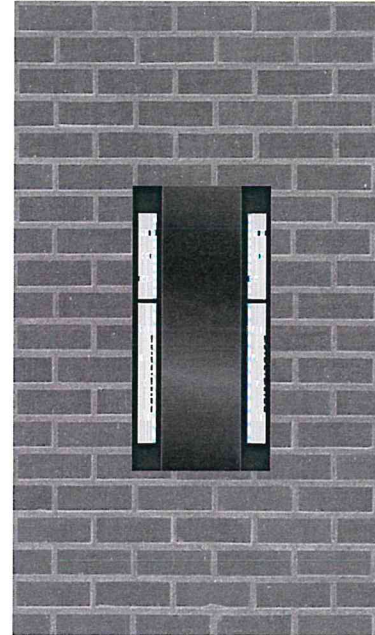
**BASEPLATE DETAIL (ENLARGED)**



**FRONT VIEW**



**END VIEW**



**Item #1-R2**

TOTAL SIGN AREA: 6.4 Sq. Ft.

**Projecting Sign**  
Qty: (1) double sided

Lead #: P21000837-41126

PROJECT: Detroit Public Theatre

FILE: 41126-PERMIT  
Detroit Public Theatre 1-R2

SITE ADDRESS: 3960 3rd Ave.,  
Detroit, MI

LEAD: JH

REVISION:  
KP-5-17-22  
DM 6-28-22  
KP-8-29-22

LAYOUT: KP

Date:  
2-15-22

**1** Projecting Sign:  
Fabricated aluminum projecting cabinet with routed faces.  
Clear acrylic push thru letter faces with vinyl applied 1st and 2nd surface.  
Internally illuminated with L.E.D.s  
-- Sign mounted to building with aluminum mounting plates (size T.B.D.)  
-- Aluminum accent reveal between sign and mounting plates.

Designs, details and plans represented herein are the sole property of Phillips Sign & Lighting, Inc. All or any part of these designs (except registered trademarks) are protected. Attempts to duplicate designs without written consent may result in Legal Repercussions.

phillips SIGN & LIGHTING Inc.



Ph: 586.468.7110

visit us at: **phillipssign.com**

Approved: \_\_\_\_\_ Date: \_\_\_\_\_

Permit: DM 6-28-22

40920 Executive Drive  
Harrison Twp., MI  
48045-1363