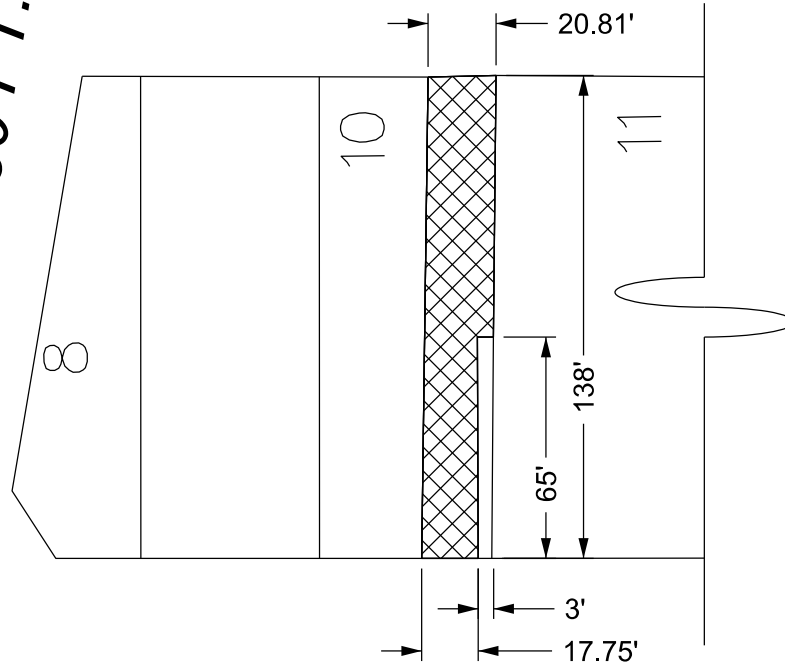
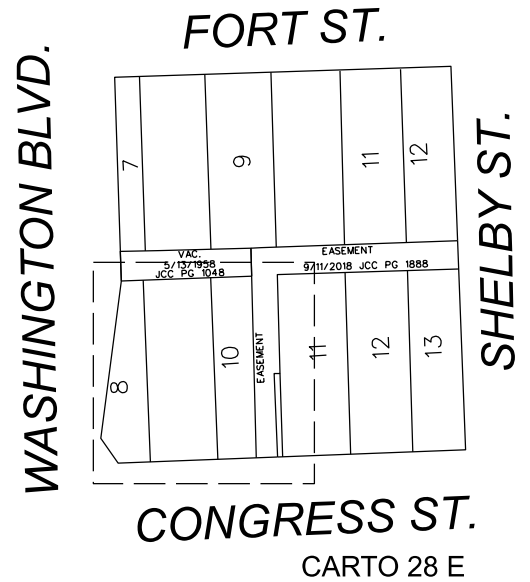




WASHINGTON BLVD 80 FT. WD.



CONGRESS ST. 60 FT. WD.



- OUTRIGHT VACATION

(FOR OFFICE USE ONLY)

B					
A					
DESCRIPTION	DRWN	CHKD	APPD	DATE	
REVISIONS					
DRAWN BY	AP	CHECKED	LC		
DATE	04-26-23	APPROVED	JD		

REQUEST TO OUTRIGHT VACATE THE NORTH/SOUTH PUBLIC ALLEY, VARIOUS WIDTHS IN THE BLOCK BOUND BY FORT, SHELBY, CONGRESS ST. AND WASHINGTON BLVD.

CITY OF DETROIT CITY ENGINEERING DIVISION SURVEY BUREAU	
JOB NO.	01-01
DRWG. NO.	MAP-23-58