



CITY OF DETROIT
DEPARTMENT OF PUBLIC WORKS
CITY ENGINEERING DIVISION

COLEMAN A. YOUNG MUNICIPAL CENTER
2 WOODWARD AVE. SUITE 601
DETROIT, MICHIGAN 48226
PHONE: (313) 224-3949 • TTY:711
FAX: (313) 224-3471
WWW.DETROITMI.GOV

July 7th, 2023

Honorable City Council:

RE: Petition No. x145 – 220 W Congress Detroit, LLC request to Outright Vacate easements reserved for the vacated public alley located within the parcel commonly known as 230 West Congress Street.

Petition No. x145 – 220 W Congress Detroit, LLC request to Outright Vacate easements reserved for the vacated public alley, 17.75' and 20' wide, located within the parcel commonly known as 230 West Congress Street.

This resolution relates to the 2018 resolution identified as being Petition No. 145, approved on September 11th, 2018, for the purpose of amending the language for the vacation of the north-south alley. The 2018 resolution directs that the north-south alley to be vacated and converted to a private easement for utilities. The petitioner, 220 W Congress Detroit, LLC, has satisfied the requirements to remove, relocate, or abandon any existing utility within said north-south alley. This resolution amends the language of petition No. 145 by directing that the public alley be vacated outright, without reserve of utility easements.

The petition was referred to the City Engineering Division – DPW for investigation (utility review) and report. This is our report.

The request was approved by the Solid Waste Division – DPW, and Traffic Engineering Division – DPW, and City Engineering - DPW.

Detroit Water and Sewerage Department (DWSD) has no objection provided certain provisions are met. The DWSD provisions are a part of the attached resolution.

All other involved City Departments, and privately owned utility companies have reported no objections. Provisions protecting utility installations are part of the attached resolution.

I am recommending adoption of the attached resolution.

Respectfully submitted,

Richard Doherty, P.E., City Engineer
City Engineering Division – DPW

Cc: Ron Brundidge, Director, DPW
Mayor's Office – City Council Liaison

BY COUNCIL MEMBER _____

RESOLVED, that the north-south vacated alley, per resolution x145, approved on Sept 11th, 2018 and previously dedicated to public right of way per resolution approved by City Council on May 13th, 1958; further described as land in the City of Detroit, Wayne County, Michigan being:

Vacated Public alley, 17.75' and 20' wide, lying upon the westerly 20' of lot 10 of the "Military Reserve Plat" as recorded in Liber 5, Page 218 of Plats, Wayne County Records.

Be and the same are hereby vacated (outright) as public rights-of-way to become part and parcel of the abutting property, subject to the following provisions:

PROVIDED, that petitioner/property owner make satisfactory arrangements with any and all utility companies for cost and arrangements for the removing and/or relocating of the utility companies and city departments services, and further

PROVIDED, that the petitioner/property owner acknowledge that DWSD relinquishes all responsibility for underground sewers, if any, and further

PROVIDED, that the petitioner/property owner bear the entire cost of any modification to the sewer, in any, including costs related to construction, demolition, permitting, inspection, and survey, and further

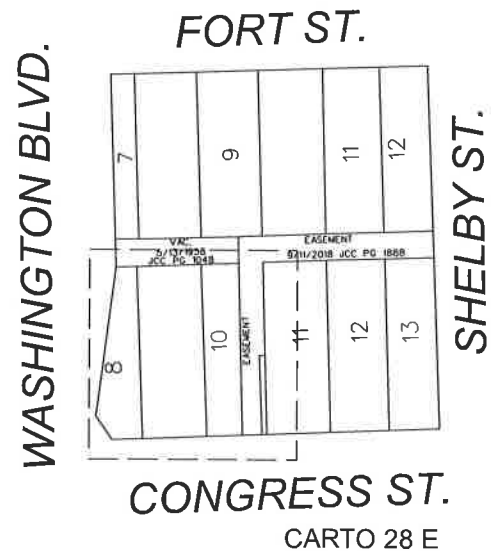
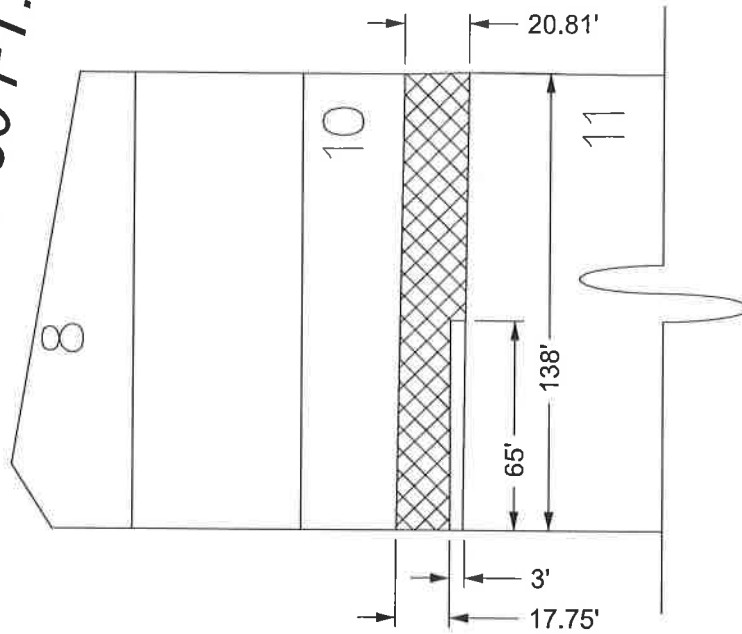
PROVIDED, that any construction in the public rights-of-way such as curbs and sidewalks shall be done under city permit and inspection according to City Engineering Division – DPW specifications with all costs borne by the abutting owner(s), their heir or assigns; and further

PROVIDED, That the City Clerk shall within 30 days record a certified copy of this resolution with the Wayne County Register of Deeds.

MAP-23-58



WASHINGTON BLVD 80 FT. WD.
 CONGRESS ST. 60 FT. WD.



- OUTRIGHT VACATION

(FOR OFFICE USE ONLY)

B					
A					
DESCRIPTION	DRWN	CHKD	APPD	DATE	
REVISIONS					
DRAWN BY	AP	CHECKED	LC		
DATE	04-26-23	APPROVED	JD		

REQUEST TO OUTRIGHT VACATE
 THE NORTH/SOUTH PUBLIC ALLEY,
 VARIOUS WIDTHS
 IN THE BLOCK BOUND BY
 FORT, SHELBY, CONGRESS ST.
 AND WASHINGTON BLVD.

CITY OF DETROIT CITY ENGINEERING DIVISION SURVEY BUREAU	
JOB NO.	01-01
DRWG. NO.	MAP-23-58