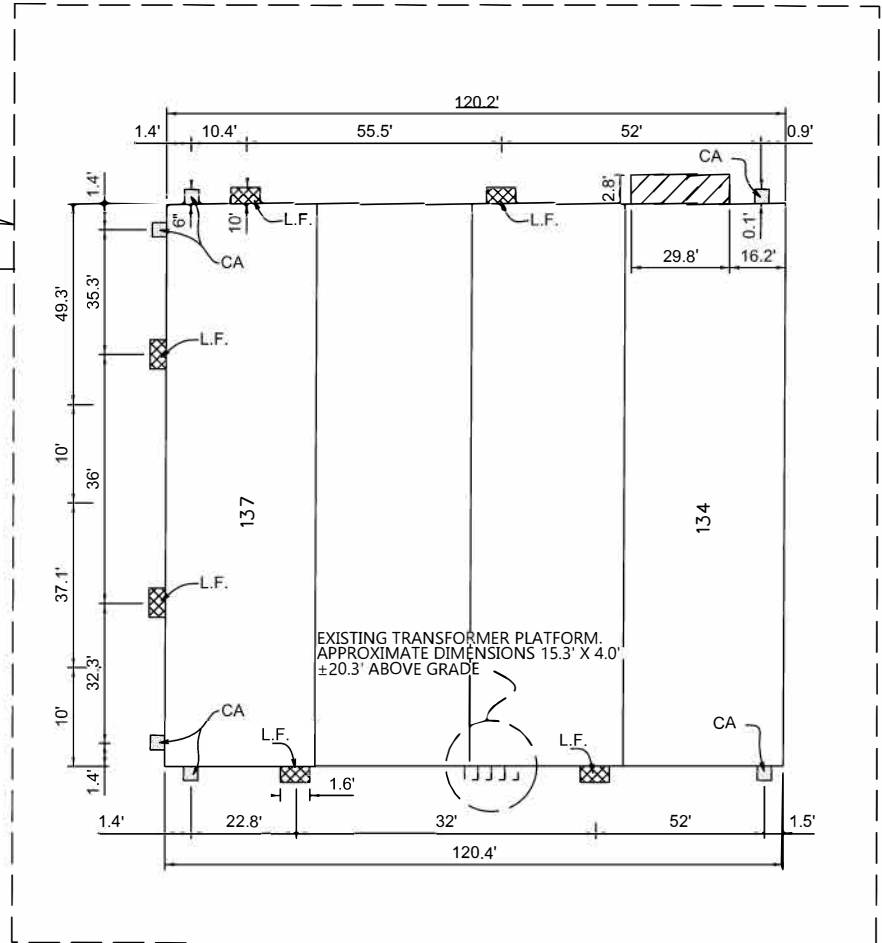
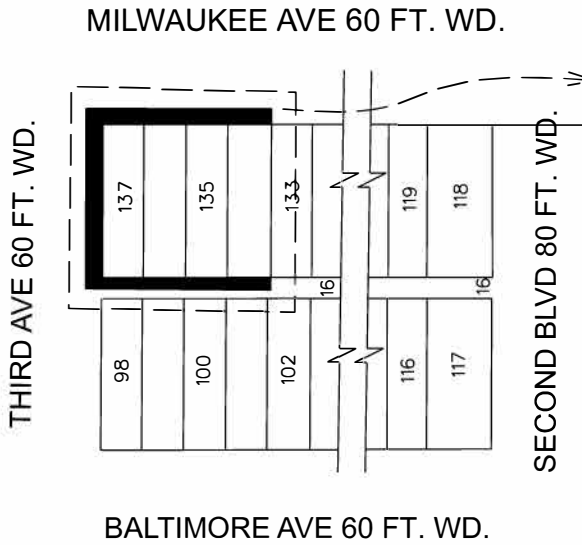


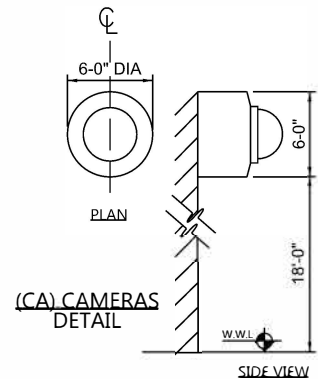
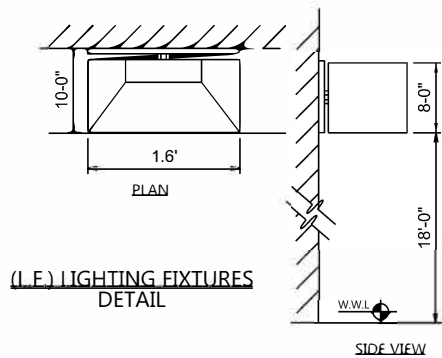
Petition x2022-92

MAP-22-11



LEGEND

- REQUEST ENCROACHMENT
- (L.F.) LIGHTING FIXTURES
- (CA) CAMERAS
- CANOPY



(FOR OFFICE USE ONLY)

CARTO 31 E

**MULTIPLE ENCROACHMENTS
AT 707 W MILWAUKEE AVE,
IN THE BLOCK BOUNDED BY W
MILWAUKEE AVE, 3RD ST, W
BALTIMORE AVE, AND SECOND AVE**

**CITY OF DETROIT
CITY ENGINEERING DIVISION
SURVEY BUREAU**

B					
A					
DESCRIPTION	DRWN	CHKD	APPD	DATE	
REVISIONS					
DRAWN BY	KJ	CHECKED	SA		
DATE	2-17-22	APPROVED	JD		

JOB NO.

DRWG. NO. 01-01