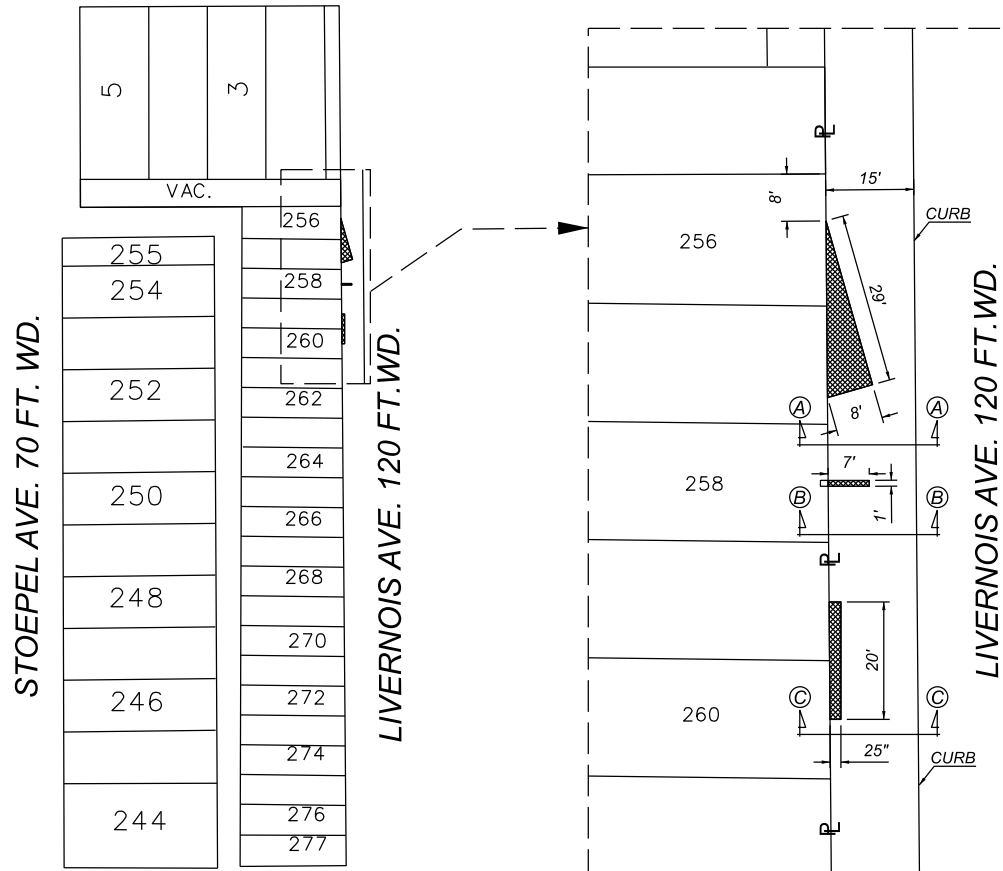
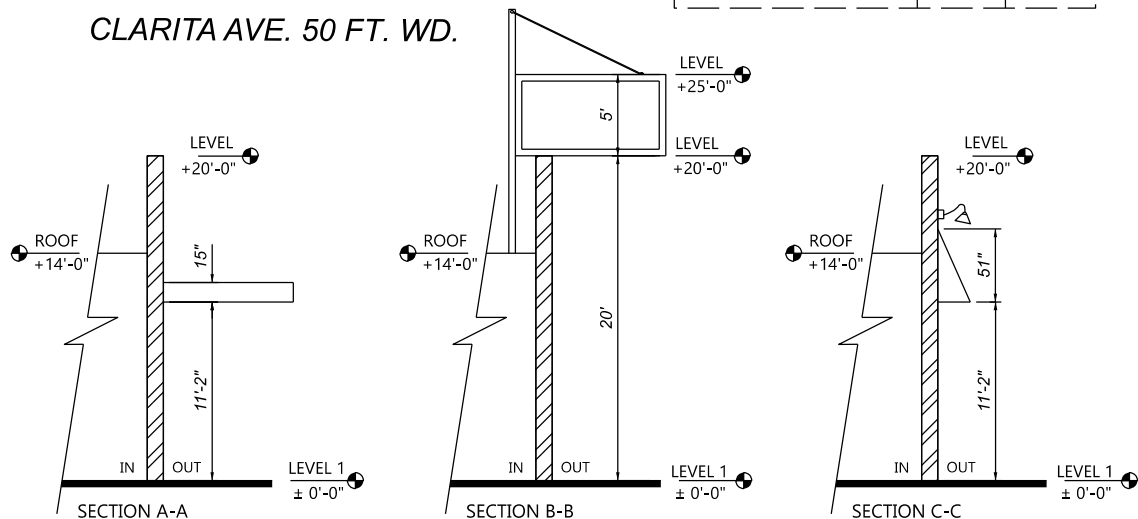




7 MILE ROAD 86 FT. WD.



CLARITA AVE. 50 FT. WD.



■ - REQUEST ENCROACHMENT

(FOR OFFICE USE ONLY)

CARTO 89 A

B					
A					
DESCRIPTION	DRWN	CHKD	APPD	DATE	
REVISIONS					
DRAWN BY	SA	CHECKED	JD		
DATE	10-15-2021	APPROVED			

REQUEST ENCROACHMENT
 INTO LIVERNOIS AVE.
 AT 19011 LIVERNOIS

CITY OF DETROIT CITY ENGINEERING DIVISION SURVEY BUREAU	
JOB NO.	01-01
DRWG. NO.	