

DESIGN CRITERIA:
 THE AWNING SUPPORTS
 ARE DESIGNED FOR 115 MPH,
 3 SEC. GUST ULTIMATE WIND SPEED
 WIND UPLIFT @ 22 PSF & 30 PSF
 GROUND SNOW LOADS FOR
 EXPOSURE B, RISK CATEGORY II
 AS PER 2018 - MBC AND ASCE 7-10

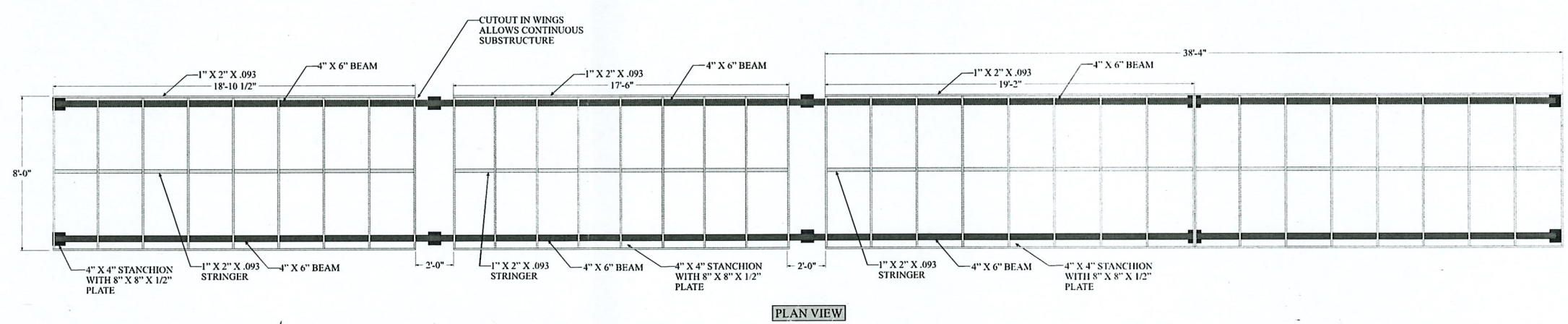
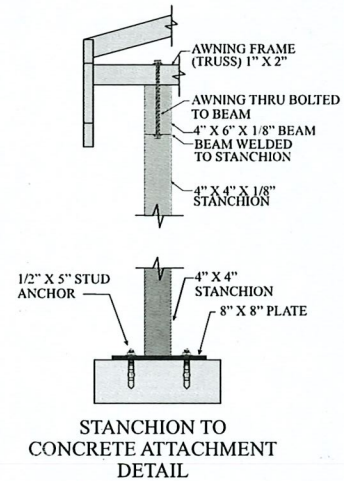
ALL MOUNTING HARDWARE SHALL
 BE NON-CORROSIVE

ALL WELDING SHOULD BE
 USING E70 ELECTRODES
 AS PER AWS D 1.1 & D 1.2

ALL ALUMINUM SECTIONS SHALL
 BE 6063-T6 ALLOY

A PROTECTIVE BARRIER SHALL BE
 PROVIDED BETWEEN ALL STEEL AND
 ALUMINUM TO PREVENT CORROSION

THIS PROJECT SHALL ADHERE TO THE
 FOLLOWING CODES:
 2015 MICHIGAN BUILDING CODE
 2015 INTERNATIONAL FIRE PREVENTION CODE
 2009 ANSI ACCESSIBILITY CODE



Marygrove
 AWNINGS
 TONY LOCKARD
 ADAM STREET VENTURES
 18-24 WEST ADAMS
 DETROIT, MI 48226
 827/2021

NOTES:
 ALL FRAMING ALUMINUM
 1" X 1" X .093 UNLESS NOTED
 FRAMES & SUBSTRUCTURE: BLACK
 FABRIC: FERRARI SATIN BLACK 502V2-8450C



AWN2021-00012