

ISSUED	
4/28/2022	



PRODUCT SPEC SHEET

P-3618SQ

MODEL: P-3618SQ

DESCRIPTION: Concrete Security Planter

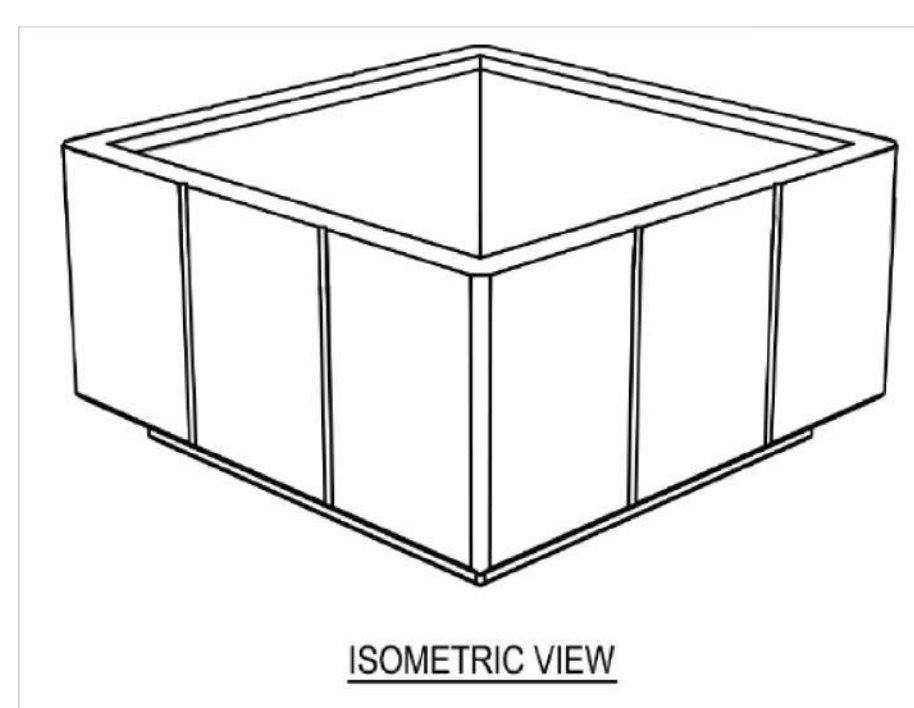
REINFORCING: Welded #3 Rebar Frame

DIMENSIONS: 36"L x 36"W x 18"H

WEIGHT: Approx. 880 lbs.

FINISH OPTIONS: Tan River Rock (pictured)
Gray Limestone
Red Quartzite
Smooth Gray Concrete

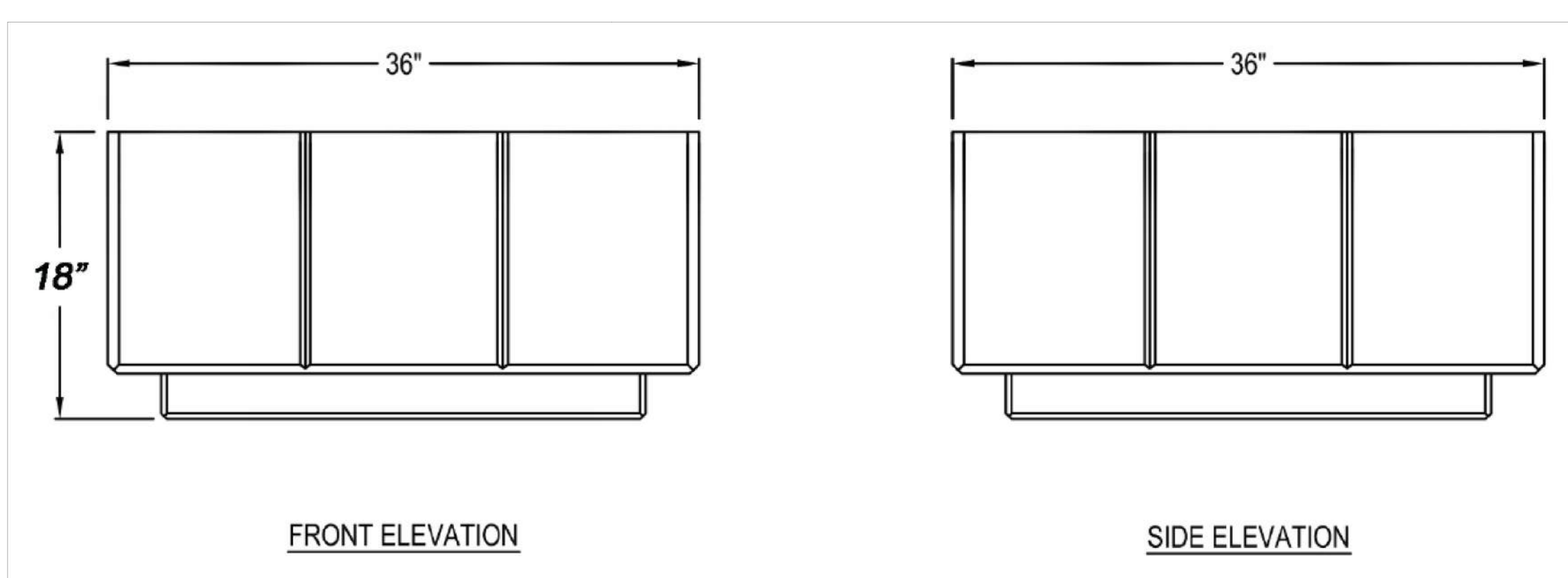
Sherwin-Williams Concrete Stain
Available for Finish. Just Provide Us
with the Color Code



OPTIONAL:

P-3630SQ

DIMENSIONS: 36"L x 36" W x 30"H



See our complete product lineup at www.bohlmann.com or call 712.263.3743 to request a proposal

Bohlmann Quality Products - 2302 Yellow Smoke Road - Denison, IA, 51442

COLORTOP™ SOLVENT-BASED SOLID COLOR CONCRETE SEALER

AVAILABLE COLORS

These colors are a representation. Actual color will vary due to the concrete finishing method (how smooth or porous the surface is), producing a mottling or distressed appearance.

				
Tile Red HC10	Naturally Red HC126	Terra Cotta HC167	Cedarwood Brown HC103	Red Terrazzo Tile HC102
				
Terracotta Orange HC159	White-Washed Terracotta HC135	Aztec Sand HC136	Neutral Balance Tan HC125	Silk Chocolate HC117
				
Sandstone HC157	Bombay HC133	Cemented Deal HC141	Siberian Haze HC149	Fresh Concrete HC165
				
Hint of Gray HC156	Muddy Gray HC172	Autumn Brown HC101	Charred Walnut HC109	Cabernet Brown HC107
				
Gray Horizons HC140	Gull Gray HC132	Pearl Gray HC164	Silver Gray HC124	Black HC108
				
Extra-White HC148	Fall Grass HC145	Patio Green HC105	Bombay Breeze HC146	Drive-In Twilight HC155

*Colors may vary slightly in Concrete Stain Color Water Based