



CITY OF DETROIT  
DEPARTMENT OF PUBLIC WORKS  
CITY ENGINEERING DIVISION

COLEMAN A. YOUNG MUNICIPAL CENTER  
2 WOODWARD AVE. SUITE 601  
DETROIT, MICHIGAN 48226  
PHONE: (313) 224-3949 • TTY: 711  
FAX: (313) 224-3471  
WWW.DETROITMI.GOV

August 31, 2022

Honorable City Council:

**RE: Petition No. x2022-272 – 123.Net, Inc, request for encroachment of a fiber optic cabinet and related conduits into the berm on the south side of Cambridge Road, between Livernois Avenue and Warrington Drive.**

Petition No. x2022-272 – 123.Net, Inc, request for encroachment of a fiber optic cabinet and related conduits into the berm on the south side of Cambridge Road, 60 ft. wide, between Livernois Avenue, 120 ft. wide, and Warrington Drive, 50 ft. wide.

The petition was referred to the City Engineering Division – DPW for investigation and report. This is our report.

The request is being made as part of the telecommunications installation in partnership with DTE Energy.

The request was approved by the Solid Waste Division – DPW, and City Engineering Division – DPW. Traffic Engineering Division

Detroit Water and Sewerage Department (DWSD) reports being involved, but they have no objection provided the DWSD encroachment provisions are followed. The DWSD provisions have been made a part of the resolution.

All other involved City Departments, including the Public Lighting Authority and Public Lighting Department; also privately owned utility companies have reported no objections to the encroachment. Provisions protecting all utility installations are part of the attached resolution.

I am recommending adoption of the attached resolution.

Respectfully submitted,

Richard Doherty, P.E., City Engineer  
City Engineering Division – DPW

/JK

Cc: Ron Brundidge, Director, DPW  
Mayor's Office – City Council Liaison

COUNCIL MEMBER \_\_\_\_\_

**RESOLVED**, that the Department of Public Works, City Engineering Division is hereby authorized and directed to issue permits to 123.Net, Inc or their assigns to install and maintain encroachment within Cambridge Road, further described as: Land in the City of Detroit, Wayne County, Michigan;

Fiber Optic Cabinet and 3” conduits, to be installed on the south side of Cambridge Road northerly of and adjacent to lot 230 of” Sherwood Forest Subdivision” as recorded in Liber 39, Page 11 of Plats, Wayne County Records. Said fiber optic cabinet will be installed upon a 42” x 48” concrete pad. Conduits will connect to a fiber utility hand hole from the utility pole existing immediately east of the public alley, 18 ft. wide, adjacent to said lot 230. Conduits will then pass through the handhole to the cabinet. Conduits will be covered 48” below grade while crossing the public alley to the utility pole.

PROVIDED, that if there is any cost for the removing and/or rerouting of any utility facilities, it shall be done at the expense of the petitioner and/or property owner; and be it further

PROVIDED, that access is maintained to all fire department connections, and be it further

PROVIDED, that by approval of this petition the Detroit Water and Sewerage Department (DWSD) does not waive any of its rights to its facilities located in the right-of-way, and at all times, DWSD, its agents or employees, shall have the right to enter upon the right-of-way to maintain, repair, alter, service, inspect, or install its facilities. All costs incident to the damaging, dismantling, demolishing, removal and replacement of structures or other improvements herein permitted and incurred in gaining access to DWSD’s facilities for maintenance, repairing, alteration, servicing or inspection caused by the encroachment shall be borne by the petitioner. All costs associated with gaining access to DWSD’s facilities, which could normally be expected had the petitioner not encroached into the right-of-way, shall be borne by DWSD; and be it further

PROVIDED, that all construction performed under this petition shall not be commenced until after (5) days written notice to DWSD. Seventy-two (72) hours’ notice shall also be provided in accordance with P.A. 53 1974, as amended, utilizing the MISS DIG one call system; and be it further

PROVIDED, that construction under this petition is subject to inspection and approval by DWSD forces. The cost of such inspection shall, at the discretion of DWSD, be borne by the petitioner; and be it further

PROVIDED, that if DWSD facilities located within the right-of-way shall break or be damaged as the result of any action on the part of the petitioner, then in such event the petitioner agrees to be liable for all costs incident to the repair, replacement or relocation of such broken or damaged DWSD facilities; and be it further

PROVIDED, that the petitioner shall hold DWSD harmless for any damages to the encroaching device constructed or installed under this petition which may be caused by the failure of DWSD's facilities; and be it further

PROVIDED, 123.Net, Inc or their assigns shall apply to the Buildings and Safety Engineering Department for a building permit prior to any construction. Also, if it becomes necessary to open cut public streets, bore, jack, occupy or barricade city rights-of-way for maintenance of encroachments such work shall be according to detail permit application drawings submitted to the City Engineering Division – DPW prior to any public right-of-way construction; and further

PROVIDED, that the necessary permits shall be obtained from the City Engineering Division – DPW and the Buildings and Safety Engineering Department. The encroachments shall be constructed and maintained under their rules and regulations; and further

PROVIDED, that all cost for the construction, maintenance, permits and use of the encroachments shall be borne by 123.Net, Inc or their assigns, and further

PROVIDED, that all costs incurred by privately owned utility companies and/or city departments to alter, adjust, and/or relocate their existing utility facilities located in close proximity to the encroachments shall be borne by 123.Net, Inc or their assigns. Should damages to utilities occur 123.Net, Inc or their assigns shall be liable for all incidental repair costs and waives all claims for damages to the encroaching installations; and further

PROVIDED, that no other rights in the public streets, alleys or other public place shall be considered waived by this permission which is granted expressly on the condition that said encroachments shall be removed at any time when so directed by the City Council, and the public property affected shall be restored to a condition satisfactory to the City Engineering Division – DPW; and further

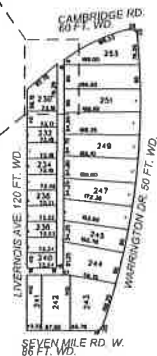
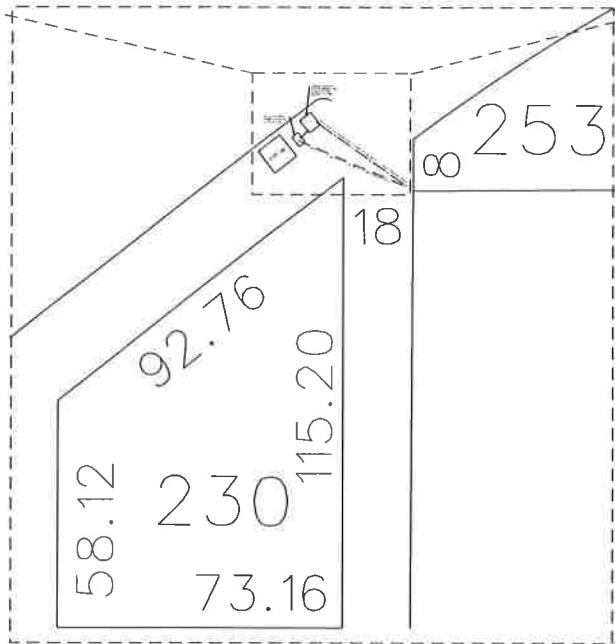
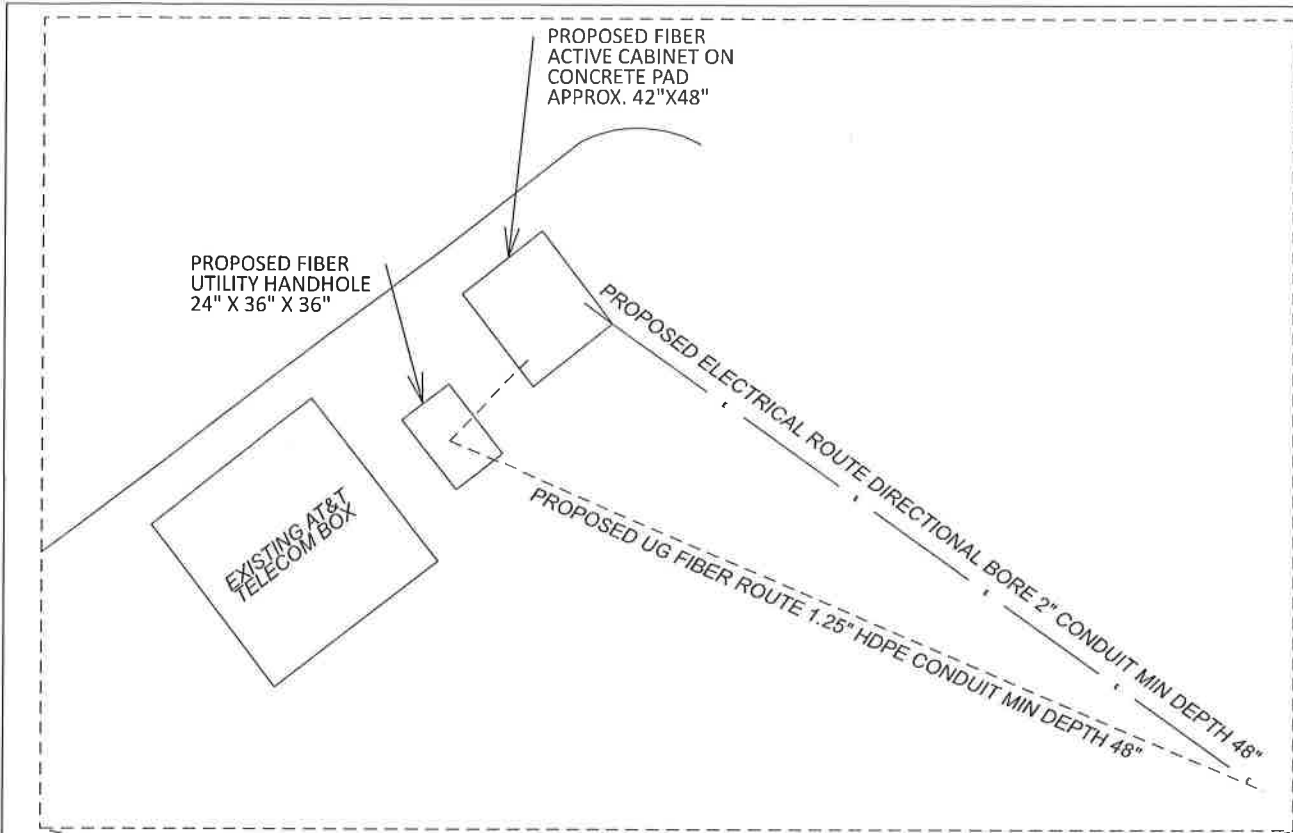
PROVIDED, that 123.Net, Inc or their assigns shall file with the Department of Public Works – City Engineering Division an indemnity agreement in form approved by the Law Department. The agreement shall save and protect the City of Detroit from any and all claims, damages or expenses that may arise by reason of the issuance of the permits and the faithful or unfaithful performance of 123.Net, Inc or their assigns of the terms thereof. Further, 123.Net, Inc or their assigns shall agree to pay all claims, damages or expenses that may arise out of the use, repair and maintenance of the proposed encroachments; and further

PROVIDED, that construction of the encroachments shall constitute acceptance of the terms and conditions as set forth in this resolution; and be it further

PROVIDED, this resolution is revocable at the will, whim or caprice of the City Council, and 123.Net, Inc acquires no implied or other privileges hereunder not expressly stated herein; and further

PROVIDED, that the encroachment permits shall not be assigned or transferred without the written approval of the City Council; and be it further

PROVIDED, that the City Clerk shall within 30 days record a certified copy of this resolution with the Wayne County Register of Deeds.



PETITION ID MAP-22-63

(FOR OFFICE USE ONLY)

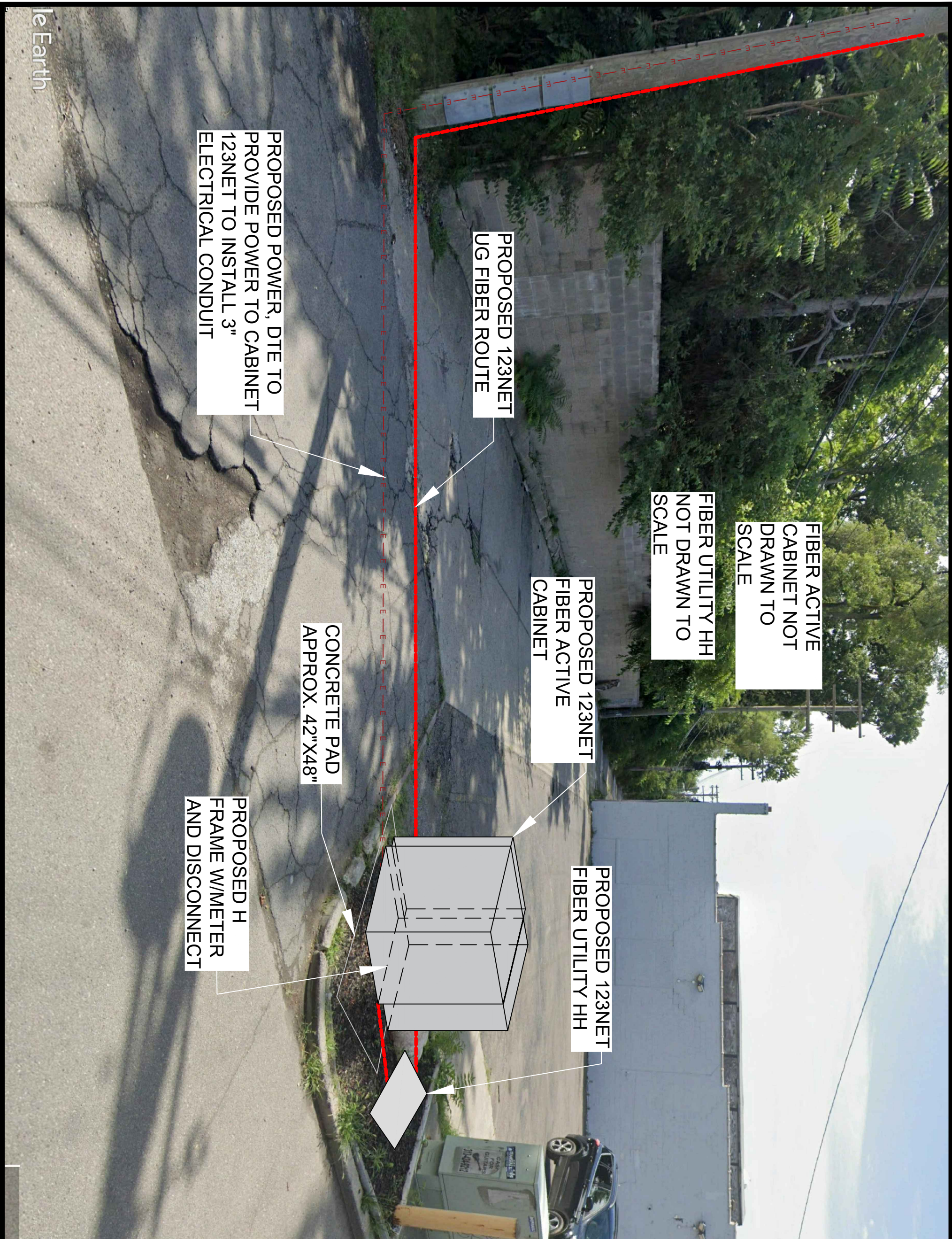
CARTO 27 D

B					
A					
DESCRIPTION	DRWN	CHKD	APPD	DATE	
REVISIONS					
DRAWN BY	MC	CHECKED			
DATE	08-03-22	APPROVED JD			

REQUEST ENCROACHMENT  
 INTO CAMBRIDGE AND NORTH SOUTH  
 ALLEY BETWEEN LOTS 230 & 253  
 FOR UTILITY UPGRADES

CITY OF DETROIT CITY ENGINEERING DIVISION SURVEY BUREAU	
JOB NO.	
DRWG. NO.	22-63





PROJECT: DETROIT UNIVERSITY DISTRICT HUT

LOCATION: DETROIT MI SCALE: NTS

OID: S11-62309DE0 DATE: 5/19/22  
 DESIGNER: J.A.P. REV: ---

**123** NET  
 24700 NORTHWESTERN HWY, SUITE 700  
 SOUTHFIELD, MI 48075  
 866-603-4774  
<http://www.123.net>

NOTE: ALL UTILITIES SHOWN WERE FROM AS-BUILT MAPS. THESE ARE SCALED AND APPROXIMATE LOCATION OF EXISTING UTILITIES. BEFORE ANY CONSTRUCTION BEGINS, MISS DIG WILL BE NOTIFIED. SURVEY WILL COMMENCE AND ROUTE WILL BE ADJUSTED AS NEEDED.

SHEET  
**D2**