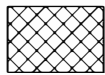
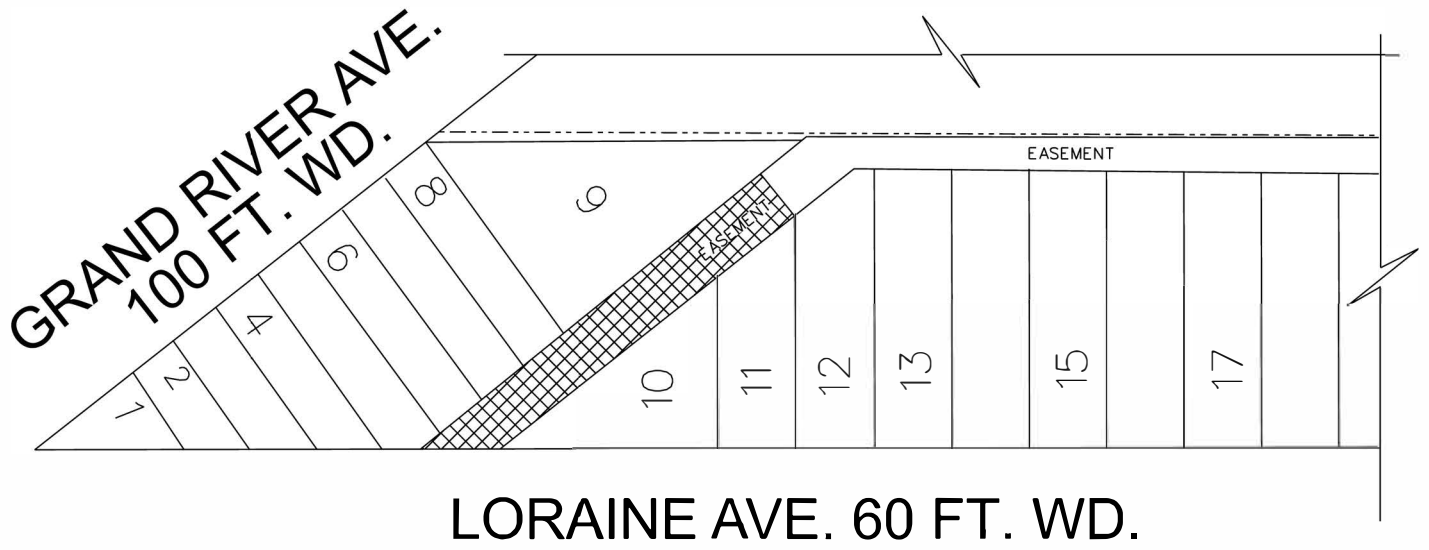
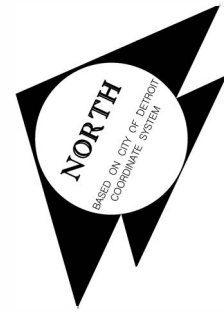


REAL ESTATE INTERESTS LLC 660
 WOODWARD AVE., SUITE 1500,
 DETROIT, MICHIGAN 48225
 W. EMERY MATTHEWS
 PHONE NO. 313.408.5384



- OUTRIGHT VACATION

(FOR OFFICE USE ONLY)

CARTO 20 B

REQUEST TO OUTRIGHT VACATE
 OF A PUBLIC EASEMENT IN AN
 ALREADY VACATED ALLEY 20 FT. WD.
 EAST OF LORLAINE AND
 SOUTH OF GRAND RIVER.

CITY OF DETROIT
 CITY ENGINEERING DIVISION
 SURVEY BUREAU

JOB NO. 01-01

DRWG. NO.

B					
A					
DESCRIPTION	DRWN	CHKD	APPD	DATE	
REVISIONS					
DRAWN BY	SA	CHECKED	JD		
DATE	04-14-21	APPROVED			