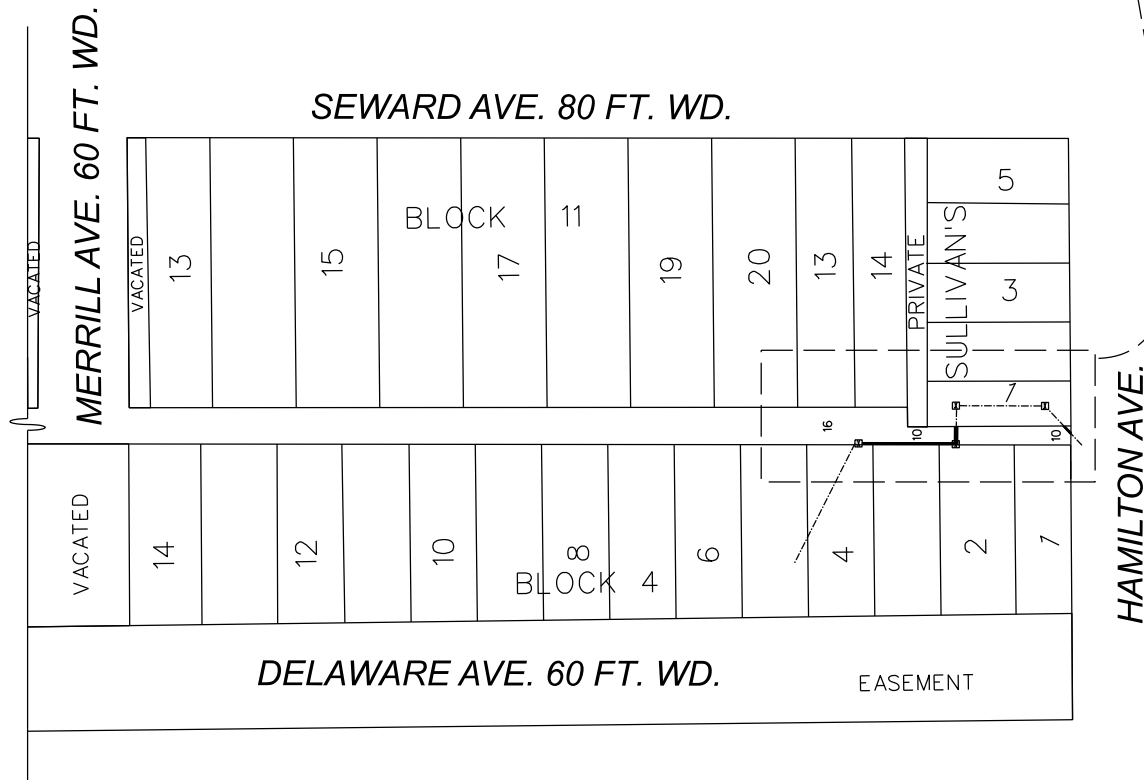
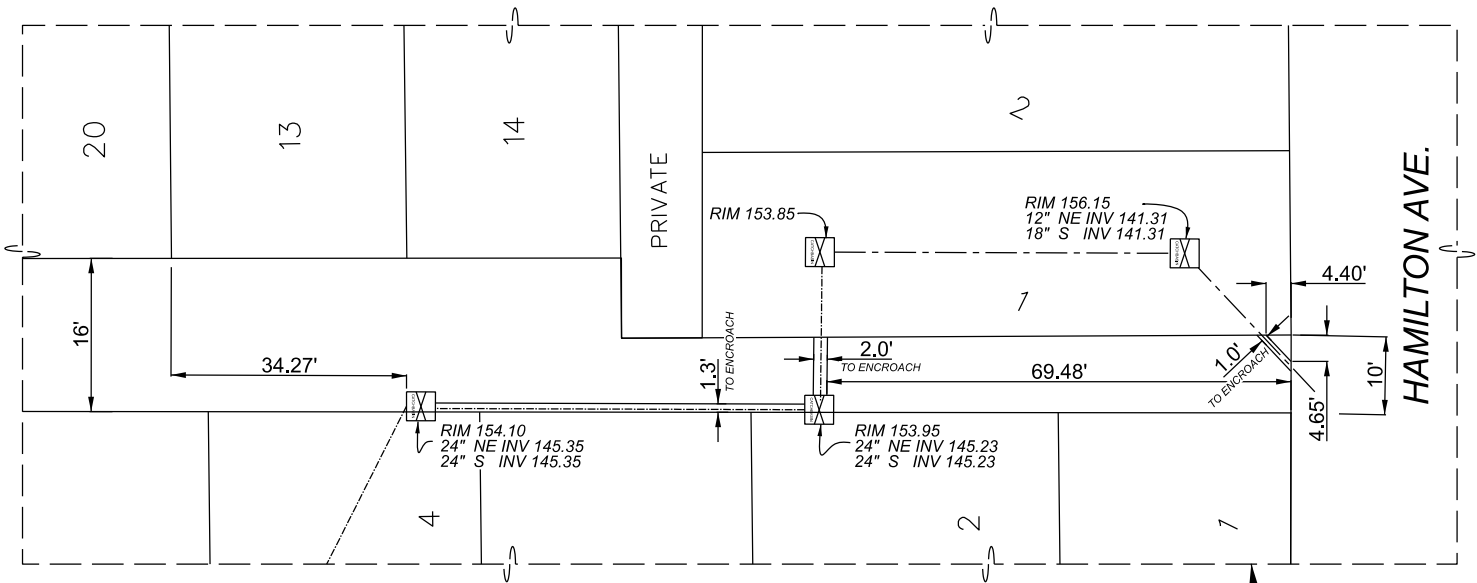


PETITION NO. 1583
 HOBBS + BLACK ARCHITECTS
 100 N. STATE STREET
 ANN ARBOR, MICHIGAN 48104
 RUSSELL W. HINKLE, AIA
 PHONE NO. (734) 663-4189



■ - REQUEST ENCROACHMENT

(FOR OFFICE USE ONLY)

CARTO 31 C

B					
A					
DESCRIPTION	DRWN	CHKD	APPD	DATE	
REVISIONS					
DRAWN BY	SA	CHECKED	JD		
DATE	11-01-2021	APPROVED			

REQUEST ENCROACHMENT
 OF THE COMBINED
 SANITARY/STORM WATER EASEMENT
 THE EAST/WEST PUBLIC ALLEY 20 FT. WD.
 IN THE BLOCK BOUND BY
 MERRILL AVE., SEWARD AVE.,
 HAMILTON AVE. AND DELAWARE AVE.

CITY OF DETROIT
 CITY ENGINEERING DIVISION
 SURVEY BUREAU

JOB NO. 01-01
 DRWG. NO. X 1583