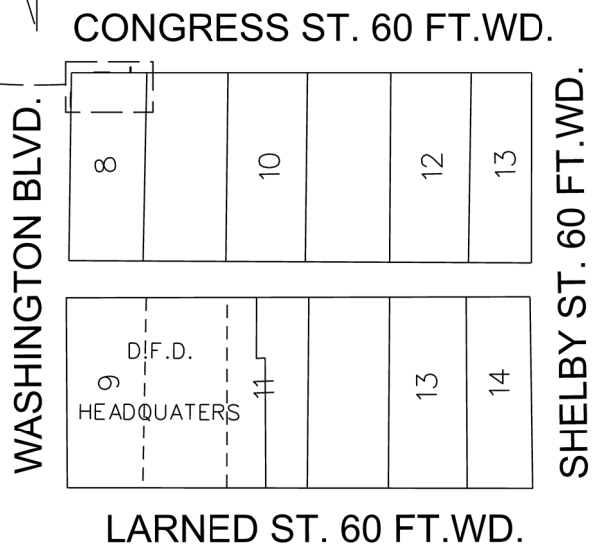
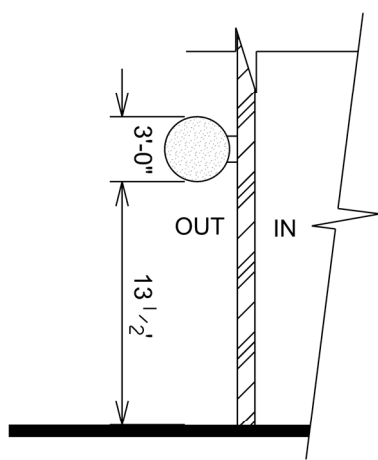
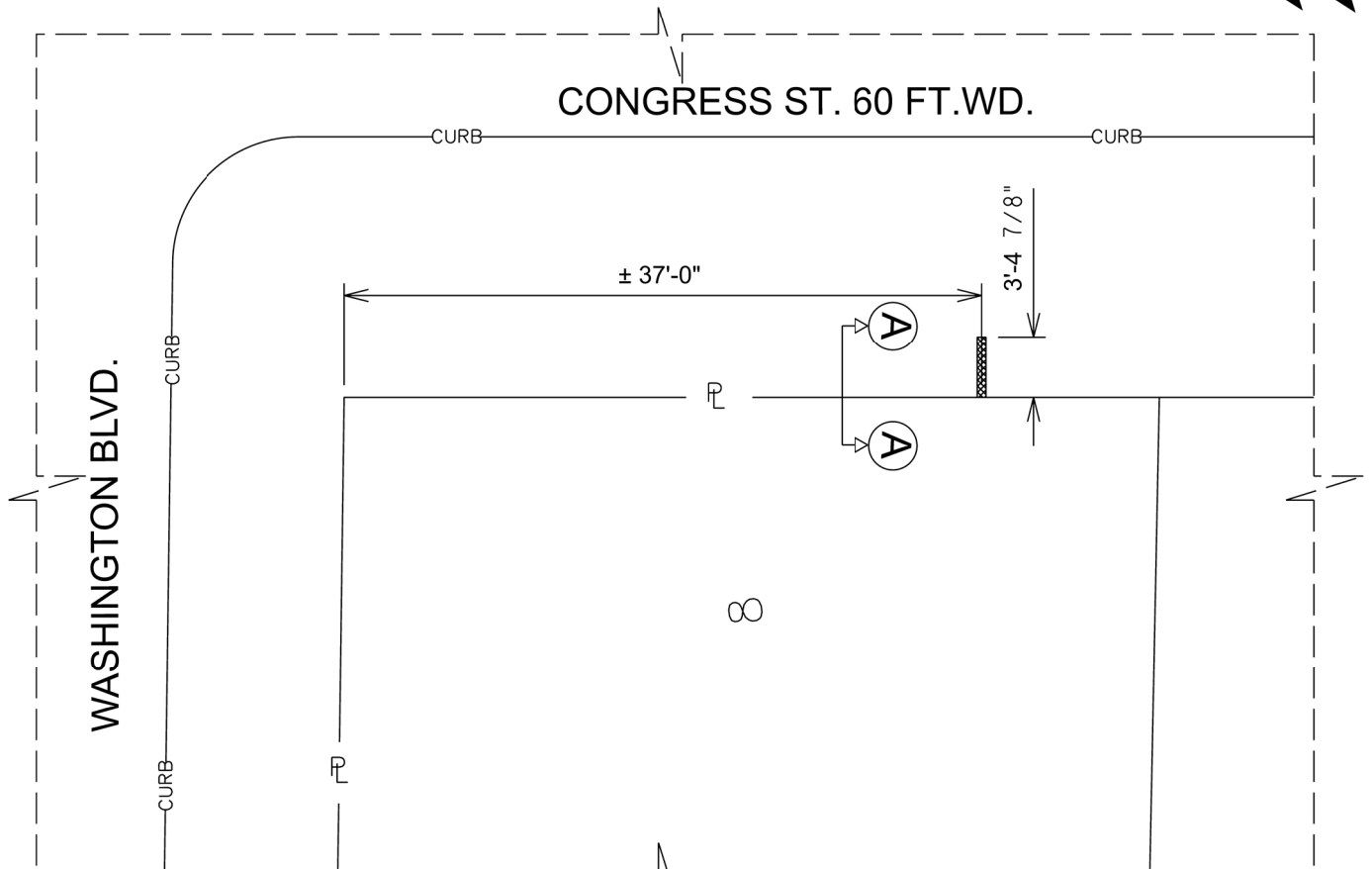


PETITION NO.
 AH ASSOCIATES, LLC
 333 W FORT ST., SUITE 1350
 DETROIT, MI, 48226



 - REQUEST ENCROACHMENT

(FOR OFFICE USE ONLY)

CARTO 28 E

B					
A					
DESCRIPTION	DRWN	CHKD	APPD	DATE	
REVISIONS					
DRAWN BY	SA	CHECKED	JD		
DATE	07-12-2021	APPROVED			

REQUEST ENCROACHMENT
 FOR ON-SITE ADVERTISING
 FOR THE GROUND LEVEL BUSINESS
 LOCATED AT 243 W. CONGRESS.

CITY OF DETROIT CITY ENGINEERING DIVISION SURVEY BUREAU	
JOB NO.	01-01
DRWG. NO.	