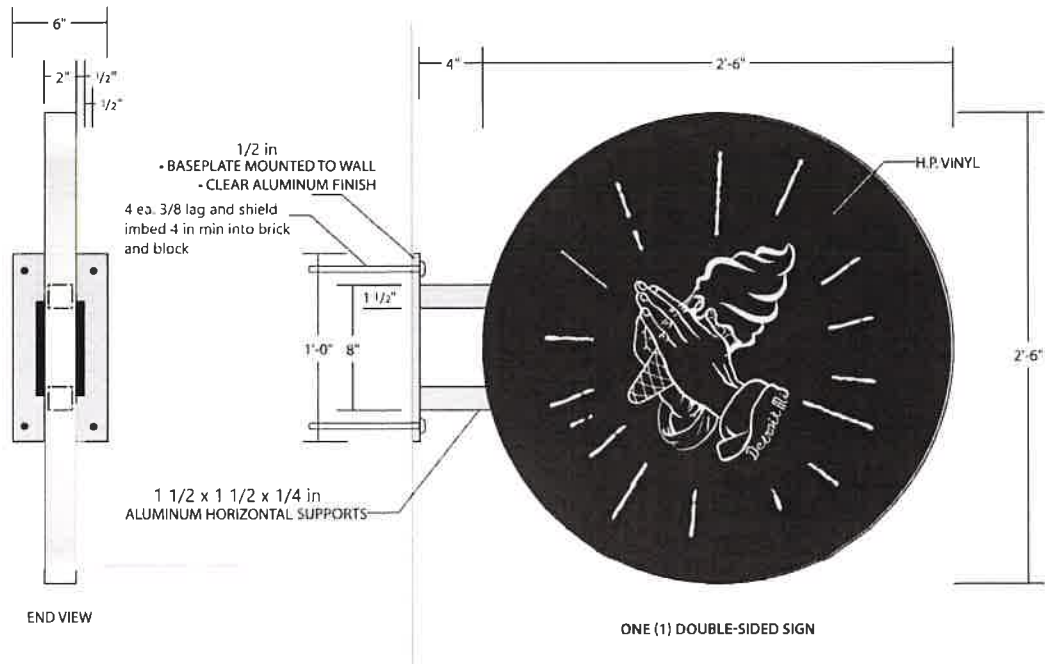


SGN2021-00189

Application for the existing non illuminated
Projecting sign on the north elevation at 4.9 #



9'3" 1/3

SCALE: 1 1/2" = 1'-0"



File Name: 0370_1_P202	Date: 1.8.15
Customer: FRESH 101	Drawn by: BUS
Location:	Checked by:

This drawing is the property of SPECTRUM NEON CO. Detroit, MI and is submitted in connection with the transaction to which it pertains and is not to be traced or copied. It must not be used in any manner detrimental to our interests and must be returned upon request.

www.spectrumneon.com

SPECTRUM NEON CO.
SIGN & LIGHTING

1280 Kempur
Madison Hts., MI 48071
P. 313.366.7333
F. 313.366.6328



Existing projecting sign
on the north elevation
- non illuminated

9' 3"
underclearance

4240 Cass Ave , Ste 100
North (front) elevation

— 15' 7" Storefront —



We are applying for a permit for the
existing projecting sign

- There is no east or west elevation at this address since those are neighboring stores.