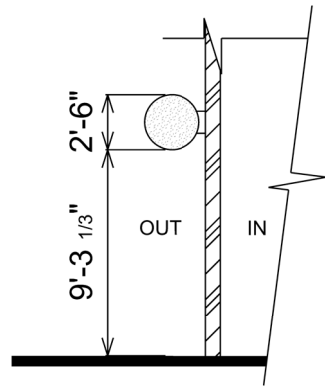
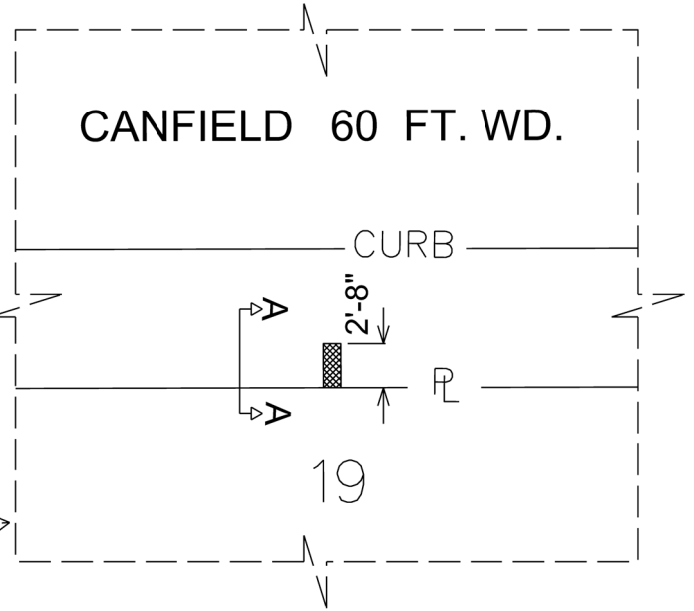


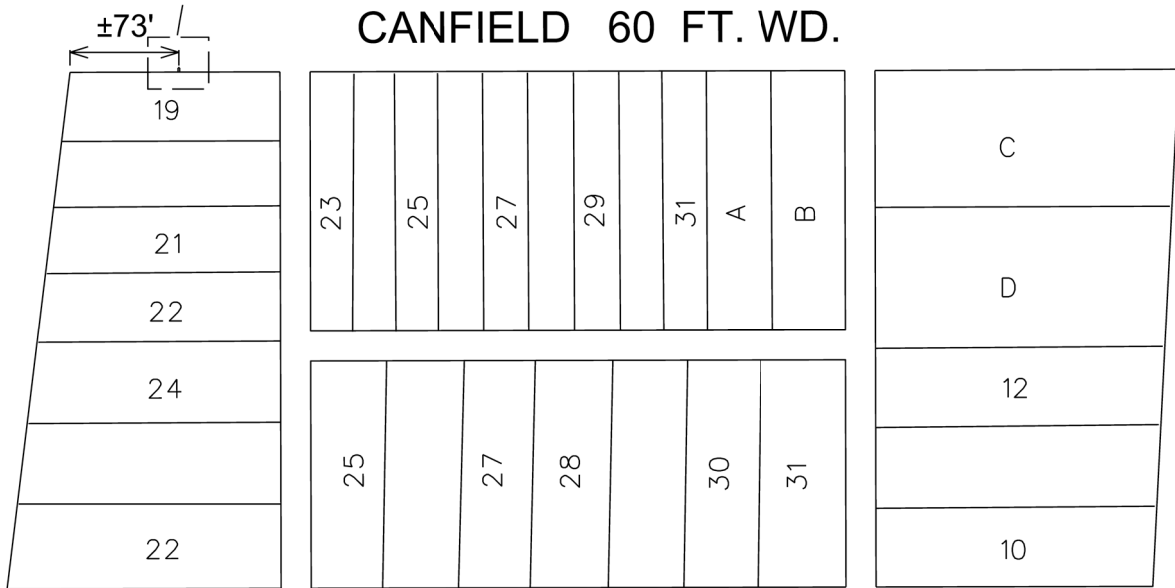
PETITION NO.
 THE AUBURN LLC
 1117 GRISWOLD STREET, SUITE 1416
 DETROIT, MI, 48226



SECTION A-A



CASS AVE. 80 FT. WD



CANFIELD 60 FT. WD.

WILLIS 100 FT. WD.

WOODWARD AVE. 120 FT. WD.



- REQUEST ENCROACHMENT

(FOR OFFICE USE ONLY)

CARTO 30 E

B					
A					
DESCRIPTION	DRWN	CHKD	APPD	DATE	
REVISIONS					
DRAWN BY	SA	CHECKED	JD		
DATE	07-12-2021	APPROVED			

REQUEST ENCROACHMENT
 INTO THE SOUTH SIDE OF WEST CANFIELD,
 BETWEEN CASS AVE. AND WOODWARD AVE.,
 FOR THE PURPOSE OF ERECTING A SIGN
 FOR ON-SITE ADVERTISING

CITY OF DETROIT
 CITY ENGINEERING DIVISION
 SURVEY BUREAU

JOB NO. 01-01

DRWG. NO.