

City Engineering Division, Department of Public Works Maps and Records Bureau

NOTICE OF PROPOSED CHANGE IN PROPERTY

Date: _____

Petition: _____

- | | |
|---|---|
| <input type="checkbox"/> AT&T Telecommunication | <input type="checkbox"/> Berm Use |
| <input type="checkbox"/> Comcast Television (CATV) | <input type="checkbox"/> Conversion to Easement |
| <input type="checkbox"/> Detroit Edison (DTE) | <input type="checkbox"/> Dedication |
| <input type="checkbox"/> Fire Department | <input type="checkbox"/> Encroachment |
| <input type="checkbox"/> Great Lakes Water Authority | <input type="checkbox"/> Outright Vacation |
| <input type="checkbox"/> Land Bank Authority | <input type="checkbox"/> Temporary Closing |
| <input type="checkbox"/> Michcon (DTE) | |
| <input type="checkbox"/> Planning & Development Department | |
| <input type="checkbox"/> Public Lighting Authority | |
| <input type="checkbox"/> Public Lighting Department | |
| <input type="checkbox"/> Police Department | |
| <input type="checkbox"/> Solid Waste Division, DPW | |
| <input type="checkbox"/> Street Design Bureau, DPW | |
| <input type="checkbox"/> Street Maintenance Division, DPW | |
| <input type="checkbox"/> Traffic Engineering Division, DPW | |
| <input type="checkbox"/> Water and Sewerage Department | |
| <input type="checkbox"/> Detroit Thermal | |
| <input type="checkbox"/> International Transmission Company (ITC) | |

A petition drawing is attached. Property shown on the attached print is proposed to be changed as indicated. Kindly report (using the back of this sheet) the nature of your services, if any affected by the proposed change and the estimated costs of removing and rerouting such services (if necessary). If a response is not received after a second notice of proposed change has been issued DPW will make the determination to move forward with the petition.

Please return one copy to City Engineering Division, DPW within two weeks of the submittal date. Retain one copy and print for you file.

Ron Brundidge, Director, Department of Public Works

By: Richard Doherty, CED DPW
City Engineer

**TO: City Engineering Division, DPW
2 Woodward Ave., Suite 642
Detroit, Michigan 48226-3462
Survey Bureau: 313-224-3970**

Petition: _____

The proposed change in property (referred to on the other side of this sheet) would affect our services as follows:

- Not Involved
- Involved; but no objections to the property change.
- Involved; objection to the property change.
- Involved; the nature of our services and the estimated costs of removing and/or rerouting such services are:

Objections, Please leave a brief explanation for any objection or the nature of an estimated cost:

(Utility or City Department)

By

Title

Date

Area code – Telephone number

Janice M. Winfrey
City Clerk

City of Detroit
OFFICE OF THE CITY CLERK

Andre P. Gilbert II
Deputy City Clerk

DEPARTMENTAL REFERENCE COMMUNICATION

Tuesday, January 19, 2021

To: The Department or Commission Listed Below

From: Janice M. Winfrey, Detroit City Clerk

The following petition is herewith referred to you for report and recommendation to the City Council.

In accordance with that body's directive, kindly return the same with your report in duplicate within four (4) weeks.

LEGISLATIVE POLICY DIVISION PLANNING AND DEVELOPMENT DEPARTMENT
LAW DEPARTMENT FINANCE DEPT/ASSESSMENTS DIVISION

1377 *Thoma Properties II, LLC request to encroach into the utility easement existing over vacated Scott Street, east of Orleans Street, for the purpose of replacing an existing water line.*



CITY OF DETROIT
DEPARTMENT OF PUBLIC WORKS
CITY ENGINEERING DIVISION

COLEMAN A. YOUNG MUNICIPAL CENTER
2 WOODWARD AVE. SUITE 601
DETROIT, MICHIGAN 48226
PHONE: (313) 224-3949 TTY: 711
WWW.DETROITMI.GOV

To: Clerk's Office
From: The Department of Public Works
City Engineering Division
MapsandRecordsBureau@DetroitMI.Gov
(313) 224-3970

Petitioner:
Thoma Properties II, LLC
Represented by Michael L. Priest & Associates, Inc.
40655 Koppernick Road
Canton, MI 48187
734-459-8560

On behalf of the above mentioned petitioner the Department of Public Works: City Engineering Division is submitting a petition request for the below mentioned action. The petitioner has received a project consultation from the Department of Public Works: City Engineering Division and has been advised the following:

Type of action recommended:

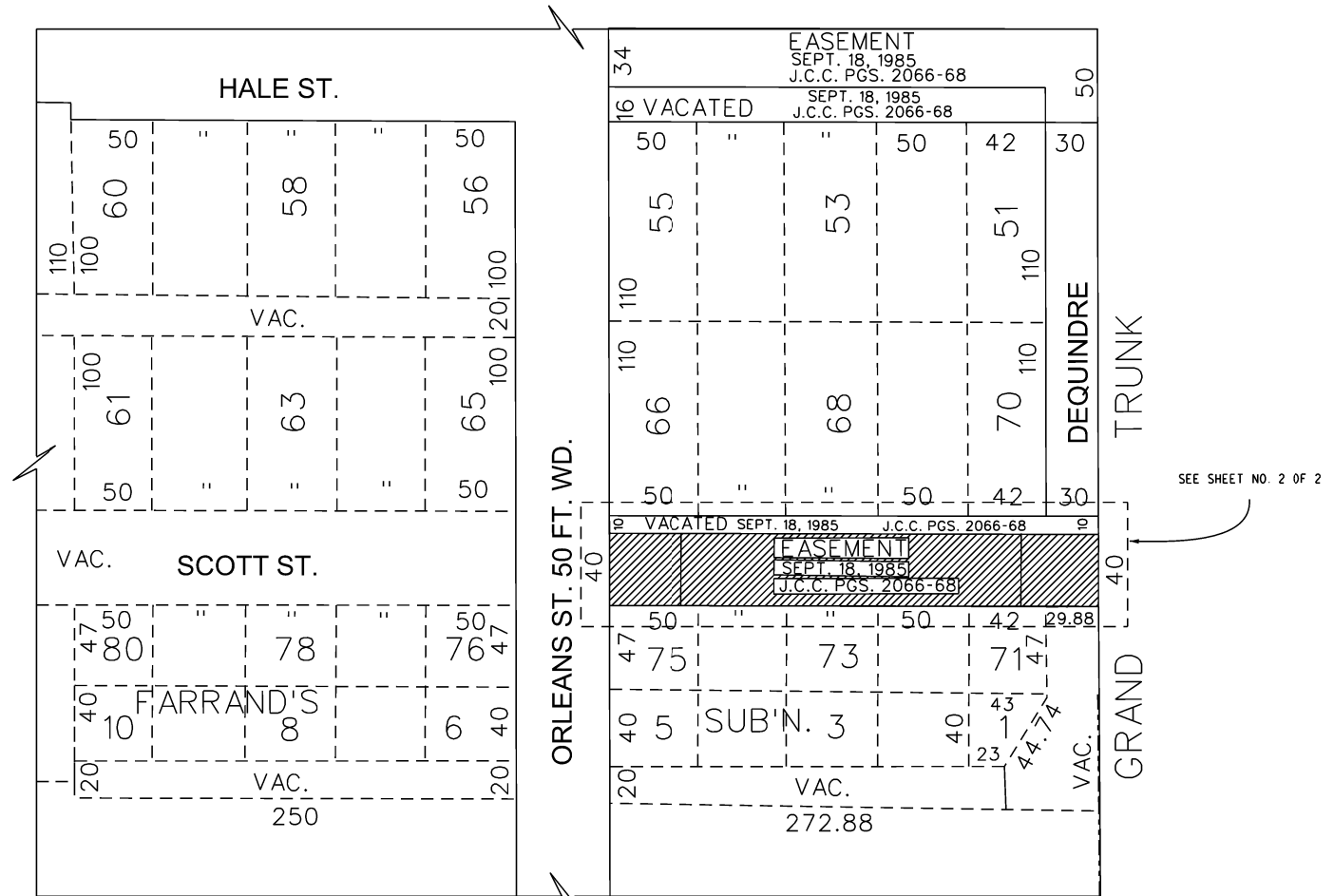
Petition for encroachment into the utility easement existing over vacated Scott Street, east of Orleans Street, for the purpose of replacing an existing water line.

Reviewed by:

Jered Dean
Manager II

Maps and Records Bureau
MapsandRecordBureau@Detroitmi.gov
313-224-3970

PETITION NO. 1377
 THOMA PROPERTIES II, LLC
 40655 KOPPERNICK ROAD
 CANTON, MICHIGAN 48187
 C/O DPW - CITY ENGINEERING
 COLEMAN A. YOUNG MUNICIPAL CENTER
 DETROIT, MICHIGAN 48226
 JERED DEAN
 PHONE NO. (313) 224-3985



SEE SHEET NO. 2 OF 2



- REQUEST ENCROACHMENT
 (FOR THE PURPOSE OF REPLACING AN EXISTING WATER LINE)

(FOR OFFICE USE ONLY)

CARTO 39 C

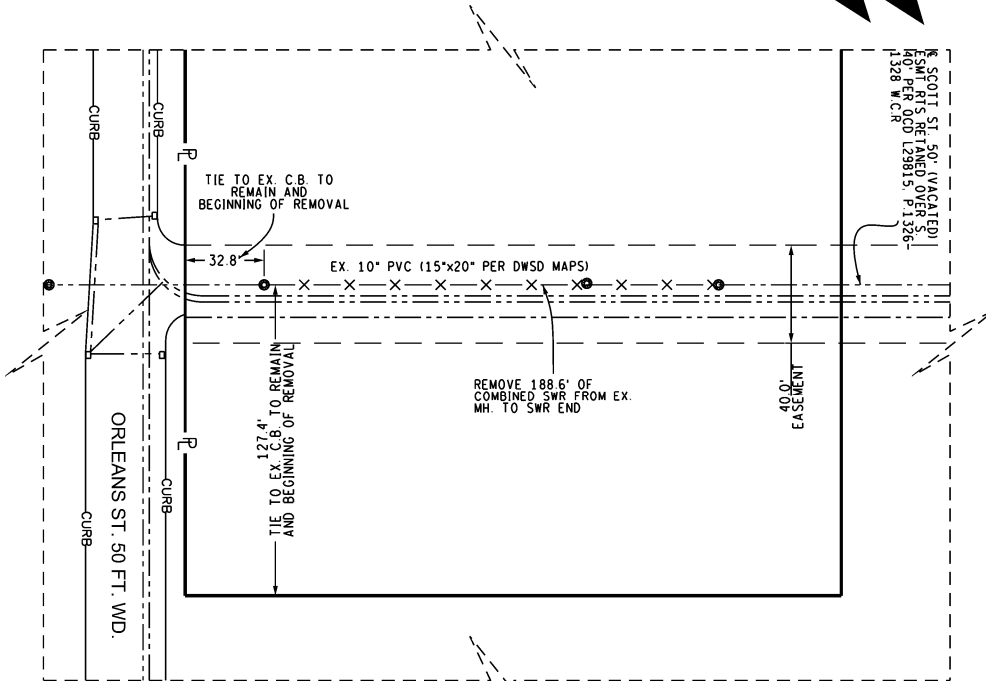
REQUEST ENCROACHMENT
INTO THE UTILITY EASEMENT EXISTING OVER VACATED SCOT ST.,
EAST OF ORLEANS ST.,
FOR THE PURPOSE OF REPLACING AN EXISTING WATER LINE.

CITY OF DETROIT
CITY ENGINEERING DIVISION
SURVEY BUREAU

JOB NO. 01-01
DRWG. NO. X 1377

SHEET NO.
1 OF 2

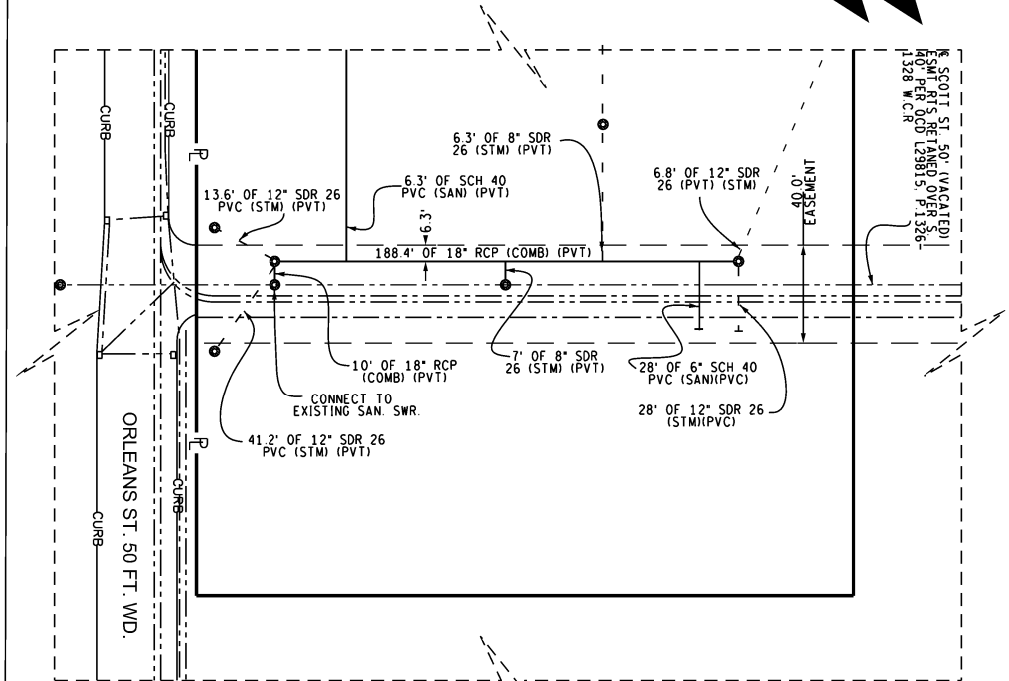
B					
A					
DESCRIPTION	DRWN	CHKD	APPD	DATE	
REVISIONS					
DRAWN BY	SA	CHECKED	JD		
DATE	03-03-21	APPROVED			



DEMOLITION / ABANDONMENT PLAN

LEGEND

- BOUNDARY
- x-x-x-x- TO BE REMOVED
- - - - EASEMENT
- - - - EX. WATER MAIN
- EX. COMBINED



PROPOSED UTILITY PLAN

Range of depth approx. 7.38 ft. below grade at the easterly end and 6.67 ft. below grade at the westerly end.

LEGEND

- BOUNDARY
- PROPOSED COMBINED
- EX. COMBINED
- - - - EX. WATER MAIN
- - - - PROPOSED STORM

B					
	A				
DESCRIPTION		DRWN	CHKD	APPD	DATE
REVISIONS					
DRAWN BY	SA	CHECKED		JD	
DATE	03-03-21	APPROVED			

**REQUEST ENCROACHMENT
INTO THE UTILITY EASEMENT EXISTING OVER VACATED SCOT ST.,
EAST OF ORLEANS ST.,
FOR THE PURPOSE OF REPLACING AN EXISTING WATER LINE.**

**CITY OF DETROIT
CITY ENGINEERING DIVISION
SURVEY BUREAU**

**JOB NO. 01-01
DRWG. NO. X 1377**

**SHEET NO.
2 OF 2**

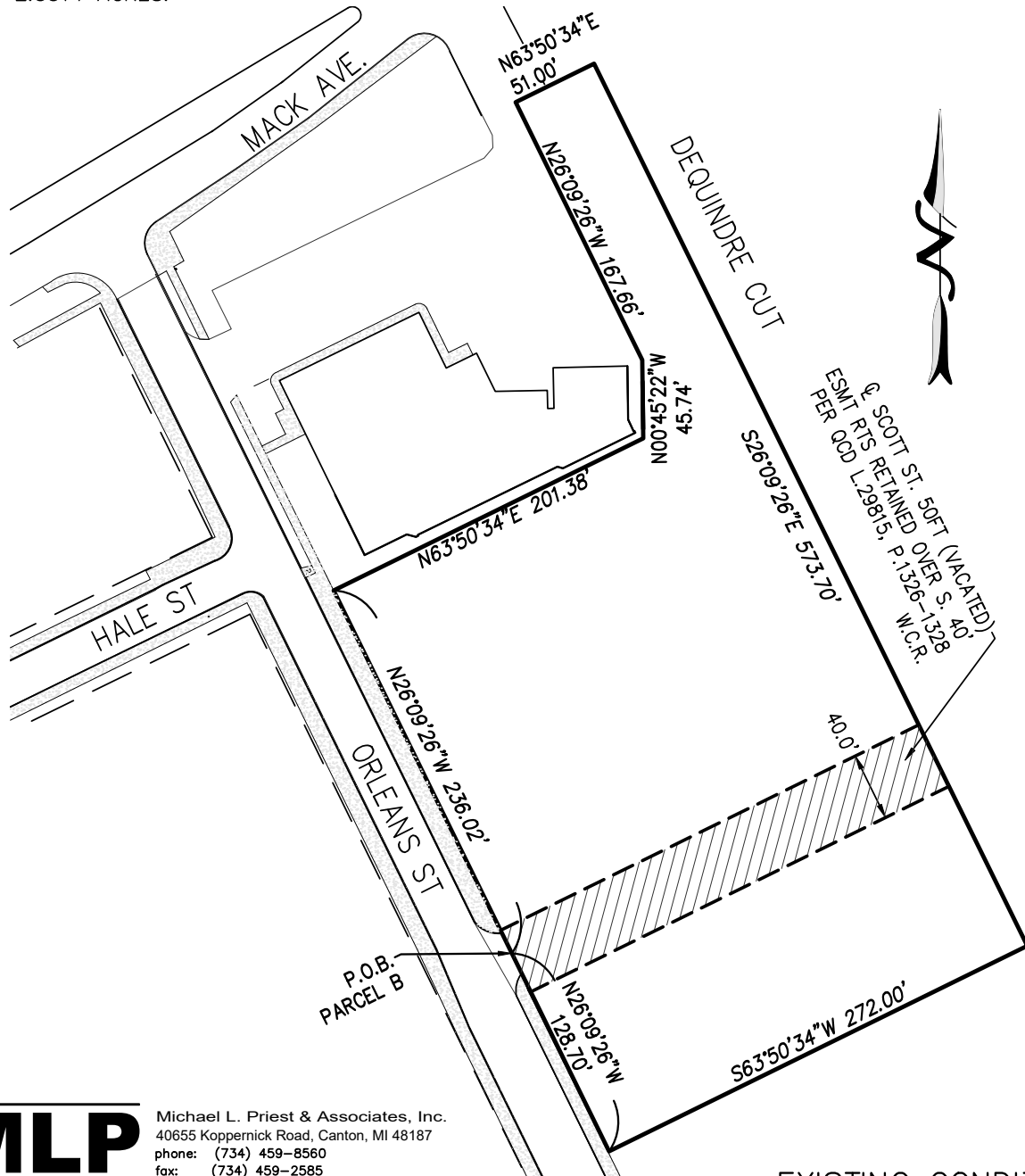
EDIBLES REX – CLIMB ON DETROIT ENCROACHMENT DETAIL

LEGAL DESCRIPTION:

DESCRIPTION OF PARCEL B:

A PARCEL OF LAND LOCATED IN PART OF PRIVATE CLAIMS 8 AND 17, CITY OF DETROIT, WAYNE COUNTY, MICHIGAN, DESCRIBED AS:

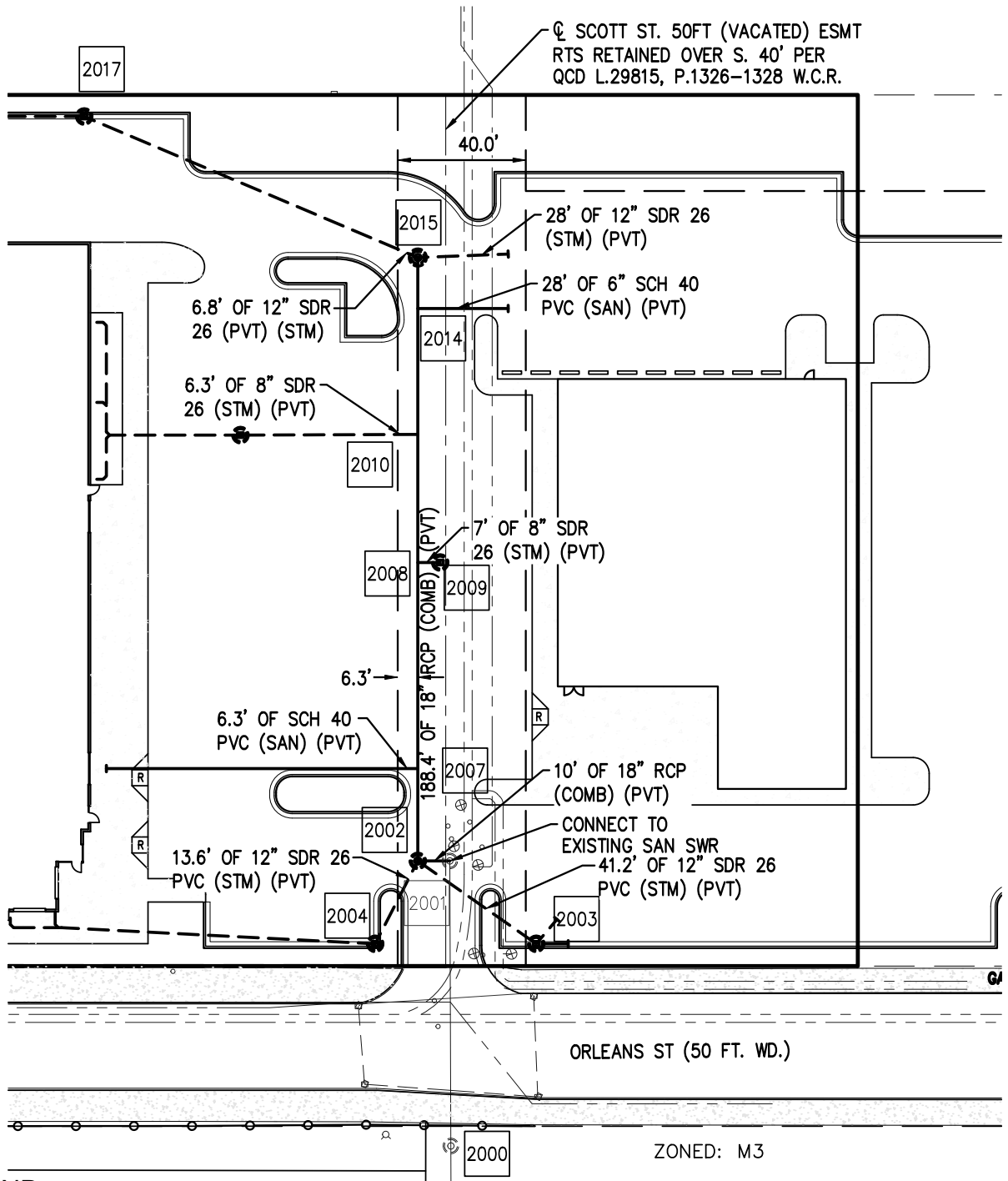
BEGINNING AT THE INTERSECTION OF THE EASTERLY LINE OF ORLEANS STREET (50 FEET WIDE) AND THE CENTERLINE OF VACATED SCOTT STREET (50 FEET WIDE); THENCE ALONG SAID EASTERLY LINE OF ORLEANS STREET N26°09'26"W 236.02 FEET; THENCE N63°50'34"E 201.38 FEET; THENCE N00°45'22"W 45.74 FEET; THENCE N26°09'26"W 167.66 FEET; THENCE N63°50'34"E 51.00 FEET TO THE WESTERLY LINE OF THE CANADIAN NATIONAL RAILROAD RIGHT-OF-WAY (60 FEET WIDE); THENCE ALONG SAID RAILROAD RIGHT-OF-WAY S26°09'26"E 573.70 FEET; THENCE S63°50'34"W 272.00 FEET TO THE EASTERY LINE OF ORLEANS STREET (50 FEET WIDE); THENCE ALONG SAID LINE OF ORLEANS STREET N26°09'26"W 128.70 FEET TO THE POINT OF BEGINNING. THE ABOVE DESCRIBED PARCEL CONTAINS 2.5314 ACRES.



Michael L. Priest & Associates, Inc.
40655 Koppernick Road, Canton, MI 48187
phone: (734) 459-8560
fax: (734) 459-2585

EXISTING CONDITIONS PLAN

EDIBLES REX – CLIMB ON DETROIT ENCROACHMENT DETAIL



LEGEND:

- BOUNDARY
- PROPOSED COMBINED
- EXISTING COMBINED
- EXISTING WATER MAIN
- PROPOSED STORM



Michael L. Priest & Associates, Inc.
 40655 Koppernick Road, Canton, MI 48187
 phone: (734) 459-8560
 fax: (734) 459-2585

PROPOSED UTILITY PLAN

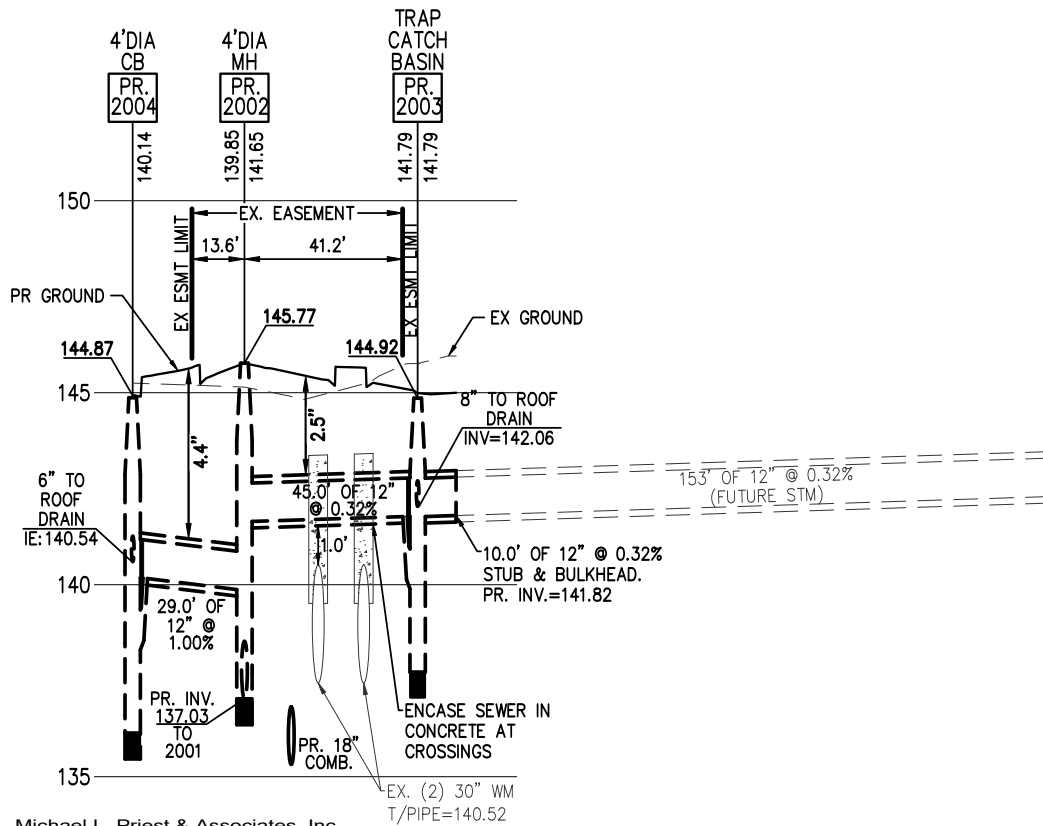
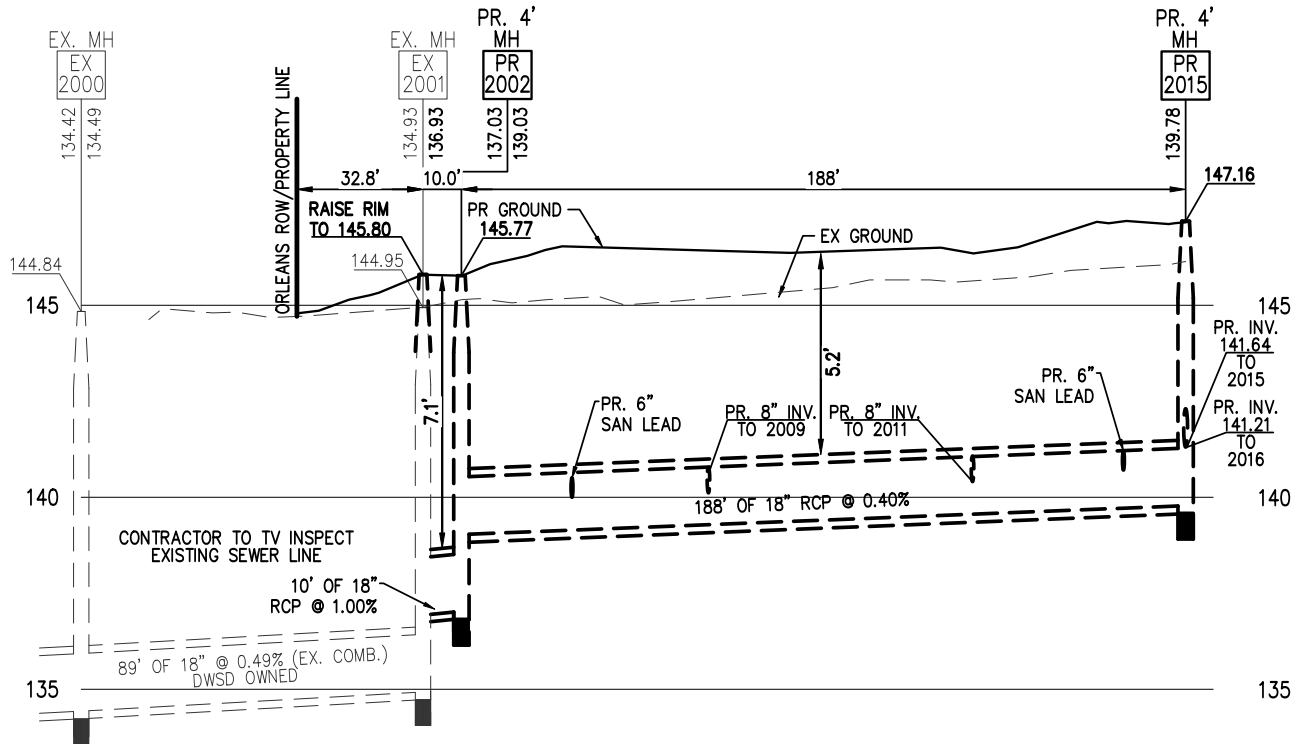
DATE: 01-15-2021

SCALE: 1" = 50'

SURVEY NO.: 2010.08

SHEET NO.: 3 OF 7

EDIBLES REX – CLIMB ON DETROIT ENCROACHMENT DETAIL



Michael L. Priest & Associates, Inc.
40655 Koppernick Road, Canton, MI 48187
phone: (734) 459-8560
fax: (734) 459-2585

PROFILES PLAN

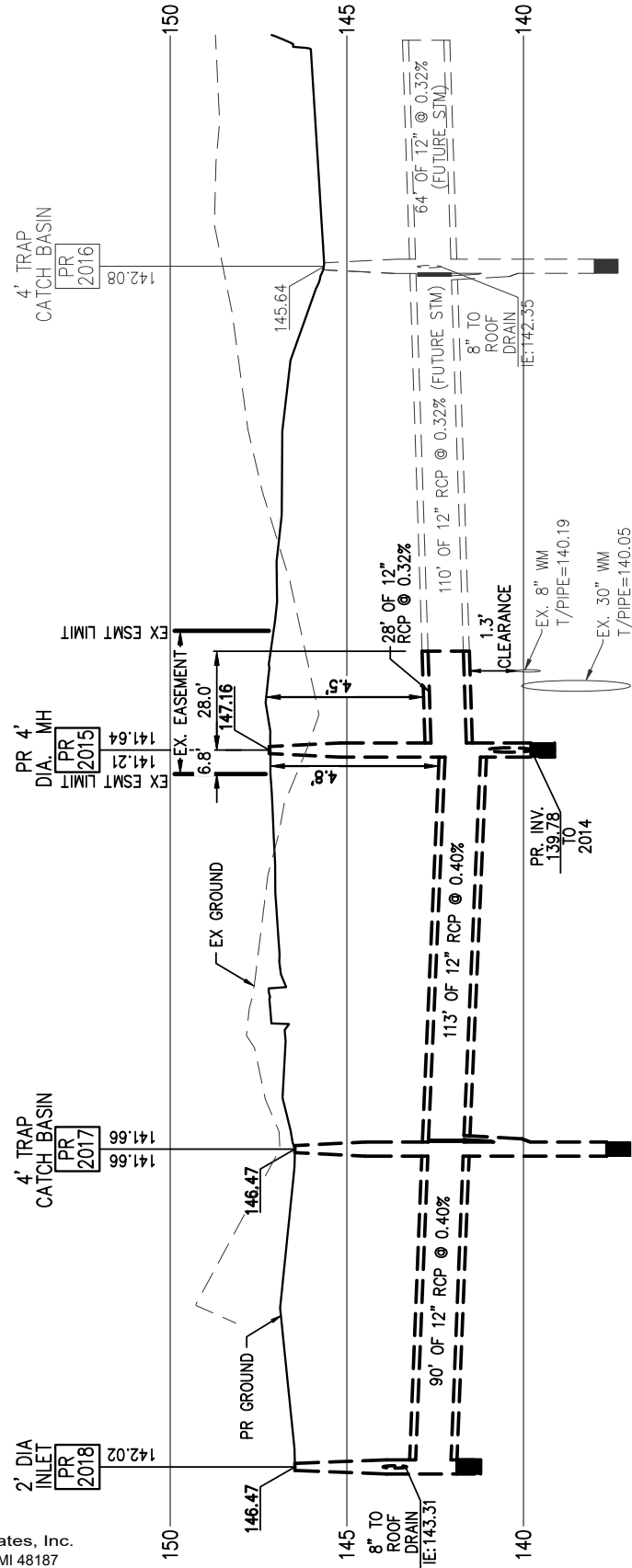
DATE: 01-15-2021

SCALE: 1" = 50'

SURVEY NO.: 2010.08

SHEET NO.: 4 OF 7

EDIBLES REX – CLIMB ON DETROIT ENCROACHMENT DETAIL



Michael L. Priest & Associates, Inc.
 40655 Koppernick Road, Canton, MI 48187
 phone: (734) 459-8560
 fax: (734) 459-2585

PROFILES PLAN

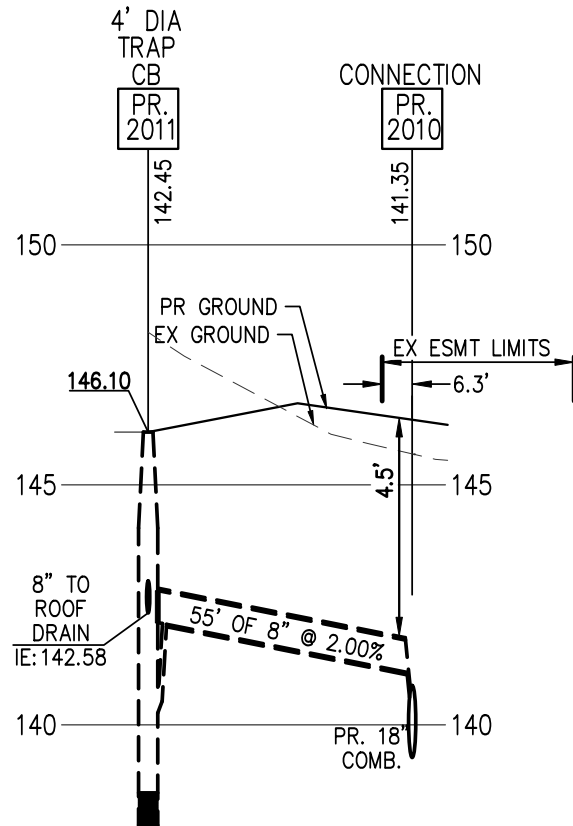
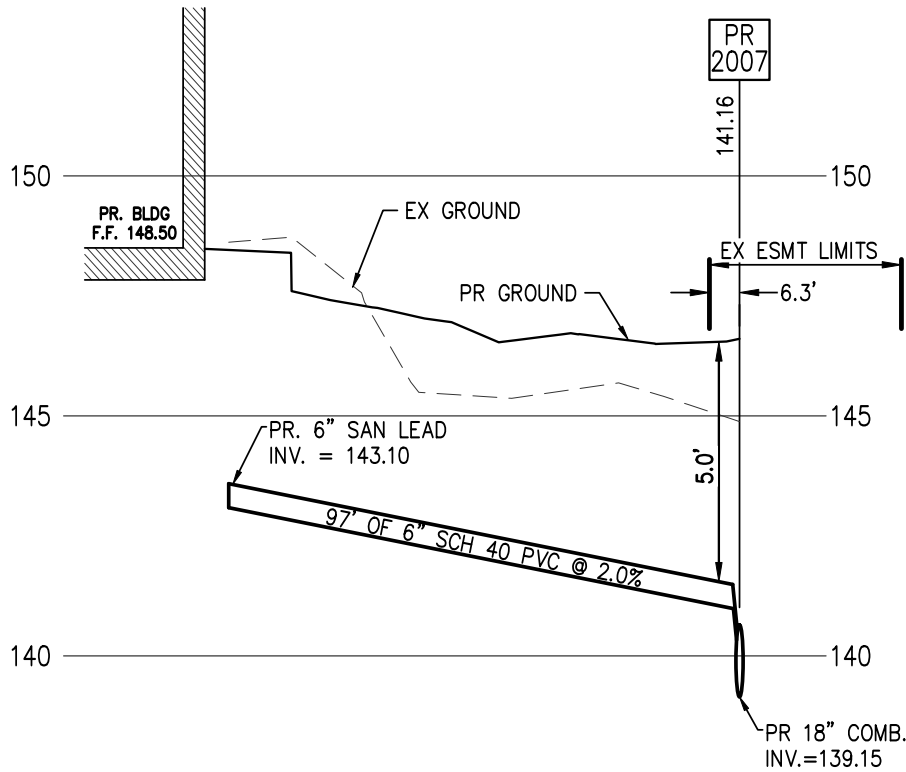
DATE: 01-15-2021

SCALE: 1" = 50'

SURVEY NO.: 2010.08

SHEET NO.: 5 OF 7

EDIBLES REX – CLIMB ON DETROIT ENCROACHMENT DETAIL



MLP

Michael L. Priest & Associates, Inc.
40655 Koppernick Road, Canton, MI 48187
phone: (734) 459-8560
fax: (734) 459-2585

PROFILES PLAN

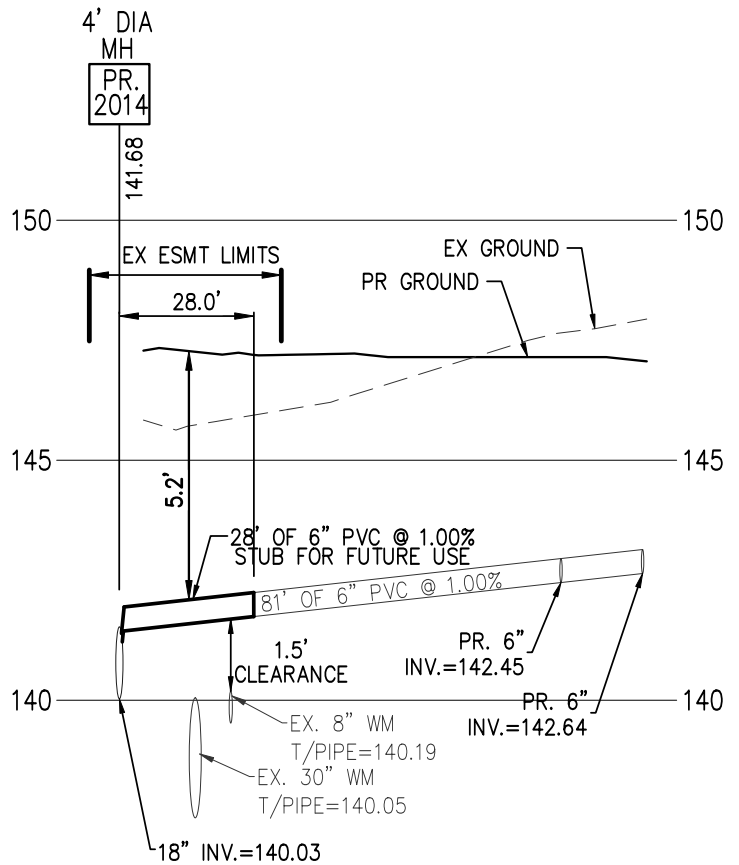
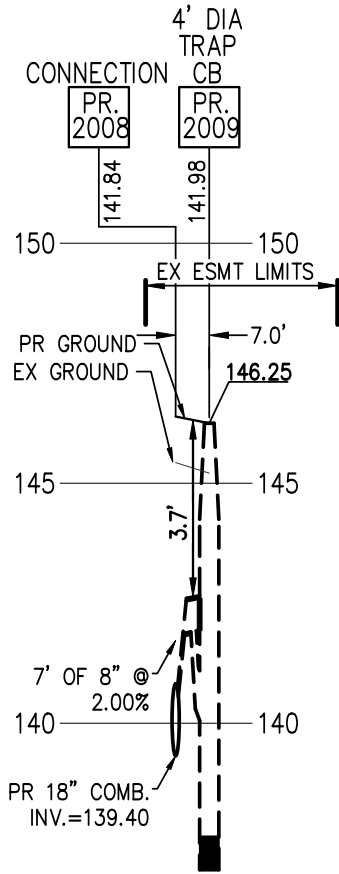
DATE: 01-15-2021

SCALE: 1" = 40'

SURVEY NO.: 2010.08

SHEET NO.: 6 OF 7

EDIBLES REX – CLIMB ON DETROIT ENCROACHMENT DETAIL



Michael L. Priest & Associates, Inc.
 40655 Koppernick Road, Canton, MI 48187
 phone: (734) 459-8560
 fax: (734) 459-2585

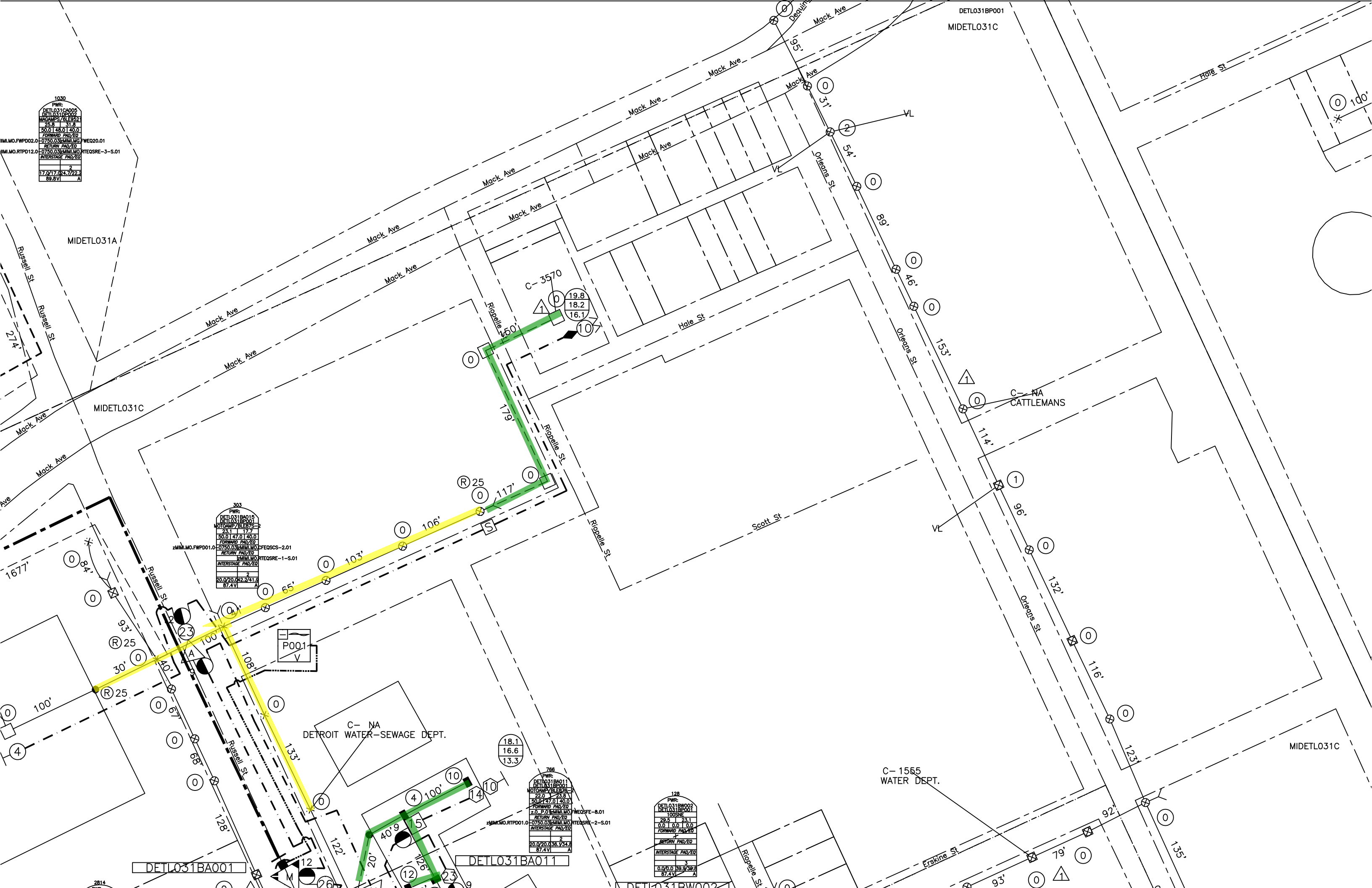
PROFILES PLAN

DATE: 01-15-2021

SCALE: 1" = 40'

SURVEY NO.: 2010.08

SHEET NO.: 7 OF 7



1030

PWR:	
DETLO31CA005	DETLO31BP002
MOTORP/BLBS75	
25.8	31.8
50.0	48.0
FORWARD PAD/EO	
20.0/20.042.2741.8	
RETURN PAD/EO	
20.0/20.042.2741.8	
INTERSTAGE PAD/EO	
20.0/20.042.2741.8	
89.8VI	

303

PWR:	
DETLO31BA015	DETLO31BP001
MOTORP/BLBS75	
23.1	17.7
50.0	47.0
FORWARD PAD/EO	
20.0/20.042.2741.8	
RETURN PAD/EO	
20.0/20.042.2741.8	
INTERSTAGE PAD/EO	
20.0/20.042.2741.8	
87.4VI	

768

PWR:	
DETLO31BA011	DETLO31BP001
MOTORP/BLBS75	
22.0	23.8
50.0	47.0
FORWARD PAD/EO	
20.0/20.036.1754.8	
RETURN PAD/EO	
20.0/20.036.1754.8	
INTERSTAGE PAD/EO	
20.0/20.036.1754.8	
87.4VI	

128

PWR:	
DETLO31RW002	DETLO31BP001
100SNE	
29.5	23.1
0.0	0.0
FORWARD PAD/EO	
0.0/0.0	
RETURN PAD/EO	
0.0/0.0	
INTERSTAGE PAD/EO	
0.0/0.0	
87.4VI	

DETLO31BP001
MIDETLO31C

MIDETLO31A

MIDETLO31C

DETLO31BA001

DETLO31BA011

DETLO31RW002

MIDETLO31C

C- NA
DETROIT WATER-SEWAGE DEPT.

C- 1555
WATER DEPT.

C- NA
CATTLEMANS

C- 3570

1030
PWR:
DETLO31CA005
DETLO31BP002
MOTORP/BLBS75
25.8 31.8
50.0 48.0
FORWARD PAD/EO
20.0/20.042.2741.8
RETURN PAD/EO
20.0/20.042.2741.8
INTERSTAGE PAD/EO
20.0/20.042.2741.8
89.8VI

303
PWR:
DETLO31BA015
DETLO31BP001
MOTORP/BLBS75
23.1 17.7
50.0 47.0
FORWARD PAD/EO
20.0/20.042.2741.8
RETURN PAD/EO
20.0/20.042.2741.8
INTERSTAGE PAD/EO
20.0/20.042.2741.8
87.4VI

768
PWR:
DETLO31BA011
DETLO31BP001
MOTORP/BLBS75
22.0 23.8
50.0 47.0
FORWARD PAD/EO
20.0/20.036.1754.8
RETURN PAD/EO
20.0/20.036.1754.8
INTERSTAGE PAD/EO
20.0/20.036.1754.8
87.4VI

128
PWR:
DETLO31RW002
DETLO31BP001
100SNE
29.5 23.1
0.0 0.0
FORWARD PAD/EO
0.0/0.0
RETURN PAD/EO
0.0/0.0
INTERSTAGE PAD/EO
0.0/0.0
87.4VI

DETLO31BP001
MIDETLO31C

MIDETLO31A

MIDETLO31C

DETLO31BA001

DETLO31BA011

DETLO31RW002

MIDETLO31C

C- NA
DETROIT WATER-SEWAGE DEPT.

C- 1555
WATER DEPT.

C- NA
CATTLEMANS

C- 3570