

**City of Detroit**  
**City Engineering Division, Department of Public Works**  
**Maps and Records Bureau**

**NOTICE OF PROPOSED CHANGE IN PROPERTY**

**Date:** \_\_\_\_\_

**Petition:** \_\_\_\_\_

- |   |   |
|---|---|
| <input type="checkbox"/> AT&T Telecommunication                   |   |
| <input type="checkbox"/> Comcast Television (CATV)                | <input type="checkbox"/> Berm Use               |
| <input type="checkbox"/> Detroit Edison (DTE)                     |   |
| <input type="checkbox"/> Fire Department                          | <input type="checkbox"/> Conversion to Easement |
| <input type="checkbox"/> Great Lakes Water Authority              |   |
| <input type="checkbox"/> Land Bank Authority                      | <input type="checkbox"/> Dedication             |
| <input type="checkbox"/> Michcon (DTE)                            |   |
| <input type="checkbox"/> Planning & Development Department        | <input type="checkbox"/> Encroachment           |
| <input type="checkbox"/> Public Lighting Authority                |   |
| <input type="checkbox"/> Public Lighting Department               | <input type="checkbox"/> Outright Vacation      |
| <input type="checkbox"/> Police Department                        |   |
| <input type="checkbox"/> Solid Waste Division, DPW                | <input type="checkbox"/> Temporary Closing      |
| <input type="checkbox"/> Street Design Bureau, DPW                |   |
| <input type="checkbox"/> Street Maintenance Division, DPW         |   |
| <input type="checkbox"/> Traffic Engineering Division, DPW        |   |
| <input type="checkbox"/> Water and Sewerage Department            |   |
| <input type="checkbox"/> Detroit Thermal                          |   |
| <input type="checkbox"/> International Transmission Company (ITC) |   |

A petition drawing is attached. Property shown on the attached print is proposed to be changed as indicated. Kindly report (using the back of this sheet) the nature of your services, if any affected by the proposed change and the estimated costs of removing and rerouting such services (if necessary). If a response is not received after a second notice of proposed change has been issued DPW will make the determination to move forward with the petition.

Please return one copy to City Engineering Division, DPW within two weeks of the submittal date. Retain one copy and print for you file.

Ron Brundidge, Director, Department of Public Works

By: Richard Doherty, CED DPW  
City Engineer

**TO: City Engineering Division, DPW  
2 Woodward Ave., Suite 642  
Detroit, Michigan 48226-3462  
Survey Bureau: 313-224-3970**

**Petition: \_\_\_\_\_**

The proposed change in property (referred to on the other side of this sheet) would affect our services as follows:

- Not Involved
- Involved; but no objections to the property change.
- Involved; objection to the property change.
- Involved; the nature of our services and the estimated costs of removing and/or rerouting such services are:

**Objections, Please leave a brief explanation for any objection or the nature of an estimated cost:**

\_\_\_\_\_  
(Utility or City Department)

\_\_\_\_\_  
By

\_\_\_\_\_  
Title

\_\_\_\_\_  
Date

\_\_\_\_\_  
Area code – Telephone number

Janice M. Winfrey  
City Clerk

**City of Detroit**  
OFFICE OF THE CITY CLERK

Andre P. Gilbert II  
Deputy City Clerk

**DEPARTMENTAL REFERENCE COMMUNICATION**

*Tuesday, January 19, 2021*

*To: The Department or Commission Listed Below*

*From: Janice M. Winfrey, Detroit City Clerk*

---

The following petition is herewith referred to you for report and recommendation to the City Council.

In accordance with that body's directive, kindly return the same with your report in duplicate within four (4) weeks.

---

LEGISLATIVE POLICY DIVISION PLANNING AND DEVELOPMENT DEPARTMENT  
LAW DEPARTMENT FINANCE DEPT/ASSESSMENTS DIVISION

**1377** *Thoma Properties II, LLC request to encroach into the utility easement existing over vacated Scott Street, east of Orleans Street, for the purpose of replacing an existing water line.*



CITY OF DETROIT  
DEPARTMENT OF PUBLIC WORKS  
CITY ENGINEERING DIVISION

COLEMAN A. YOUNG MUNICIPAL CENTER  
2 WOODWARD AVE. SUITE 601  
DETROIT, MICHIGAN 48226  
PHONE: (313) 224-3949 TTY: 711  
WWW.DETROITMI.GOV

---

To: Clerk's Office  
From: The Department of Public Works  
City Engineering Division  
MapsandRecordsBureau@DetroitMI.Gov  
(313) 224-3970

Petitioner:  
**Thoma Properties II, LLC**  
**Represented by Michael L. Priest & Associates, Inc.**  
**40655 Koppernick Road**  
**Canton, MI 48187**  
**734-459-8560**

On behalf of the above mentioned petitioner the Department of Public Works: City Engineering Division is submitting a petition request for the below mentioned action. The petitioner has received a project consultation from the Department of Public Works: City Engineering Division and has been advised the following:

**Type of action recommended:**

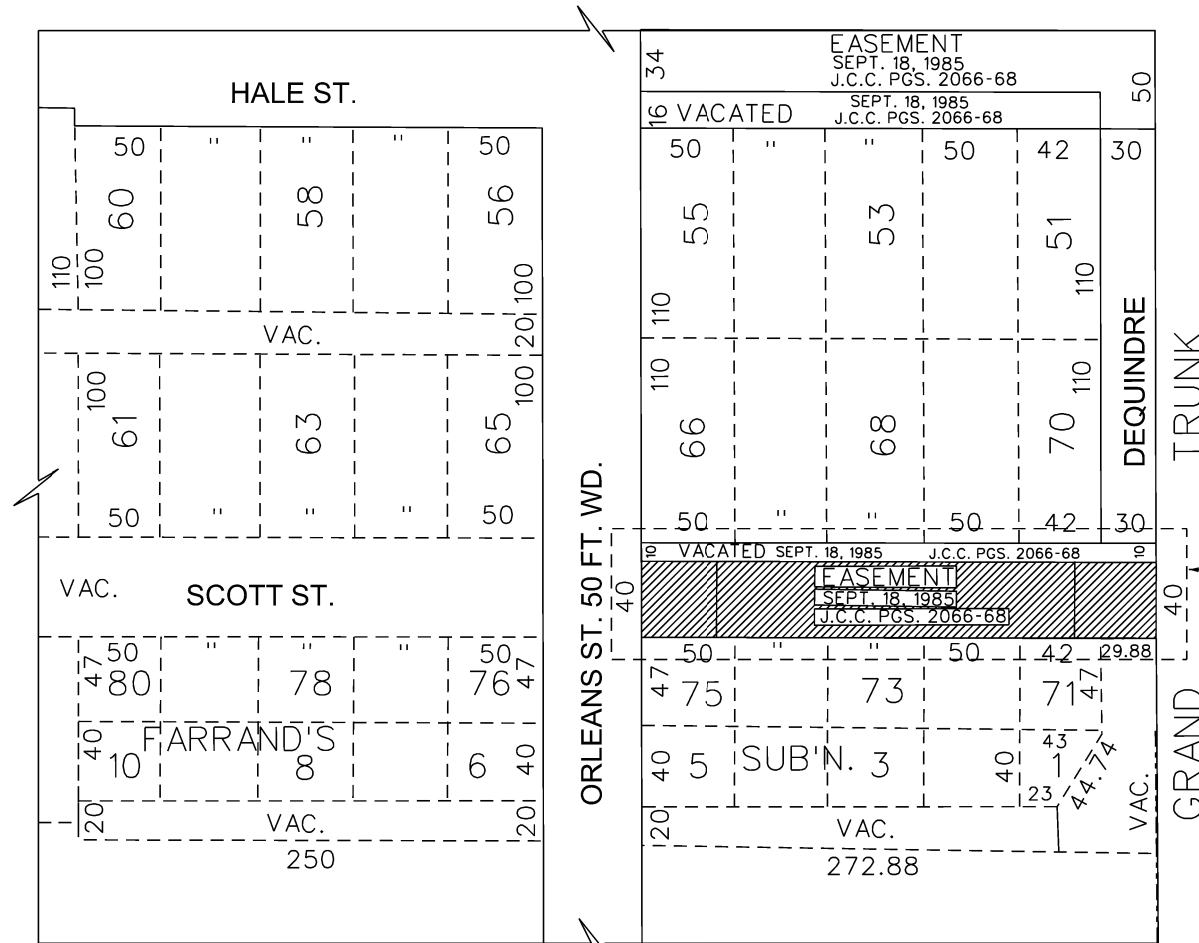
**Petition for encroachment into the utility easement existing over vacated Scott Street, east of Orleans Street, for the purpose of replacing an existing water line.**

Reviewed by:

Jered Dean  
Manager II

Maps and Records Bureau  
[MapsandRecordBureau@Detroitmi.gov](mailto:MapsandRecordBureau@Detroitmi.gov)  
313-224-3970

PETITION NO. 1377  
 THOMA PROPERTIES II, LLC  
 40655 KOPPERNICK ROAD  
 CANTON, MICHIGAN 48187  
 C/O DPW - CITY ENGINEERING  
 COLEMAN A. YOUNG MUNICIPAL CENTER  
 DETROIT, MICHIGAN 48226  
 JERED DEAN  
 PHONE NO. (313) 224-3985



SEE SHEET NO. 2 OF 2



- REQUEST ENCROACHMENT  
 (FOR THE PURPOSE OF REPLACING AN EXISTING WATER LINE)

(FOR OFFICE USE ONLY)

CARTO 39 C

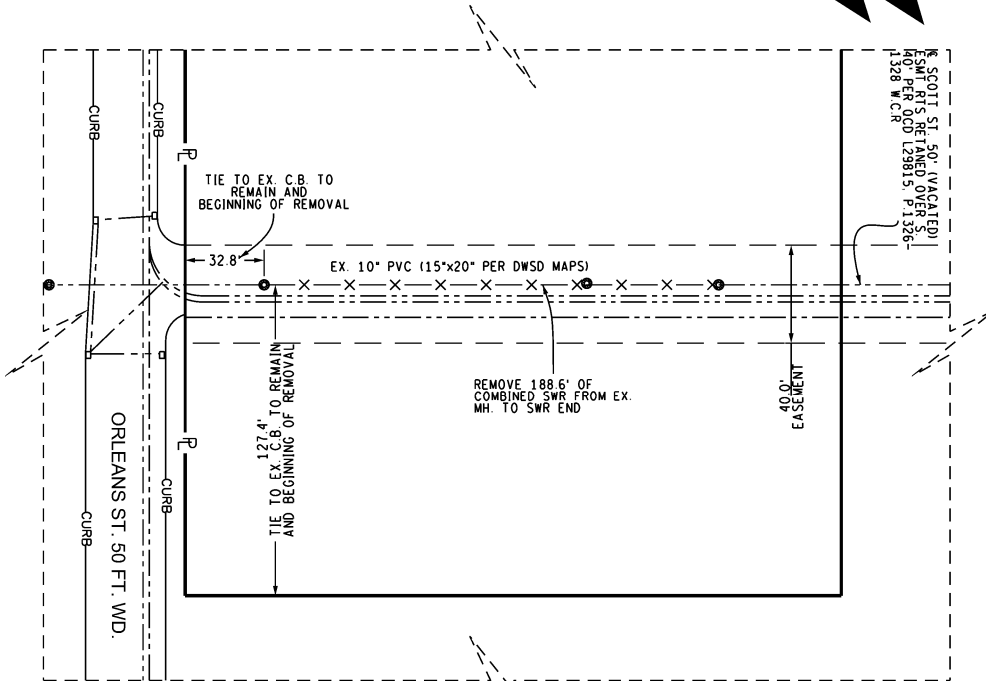
**REQUEST ENCROACHMENT**  
**INTO THE UTILITY EASEMENT EXISTING OVER VACATED SCOT ST.,**  
**EAST OF ORLEANS ST.,**  
**FOR THE PURPOSE OF REPLACING AN EXISTING WATER LINE.**

**CITY OF DETROIT**  
**CITY ENGINEERING DIVISION**  
**SURVEY BUREAU**

**JOB NO. 01-01**  
**DRWG. NO. X 1377**

**SHEET NO.**  
**1 OF 2**

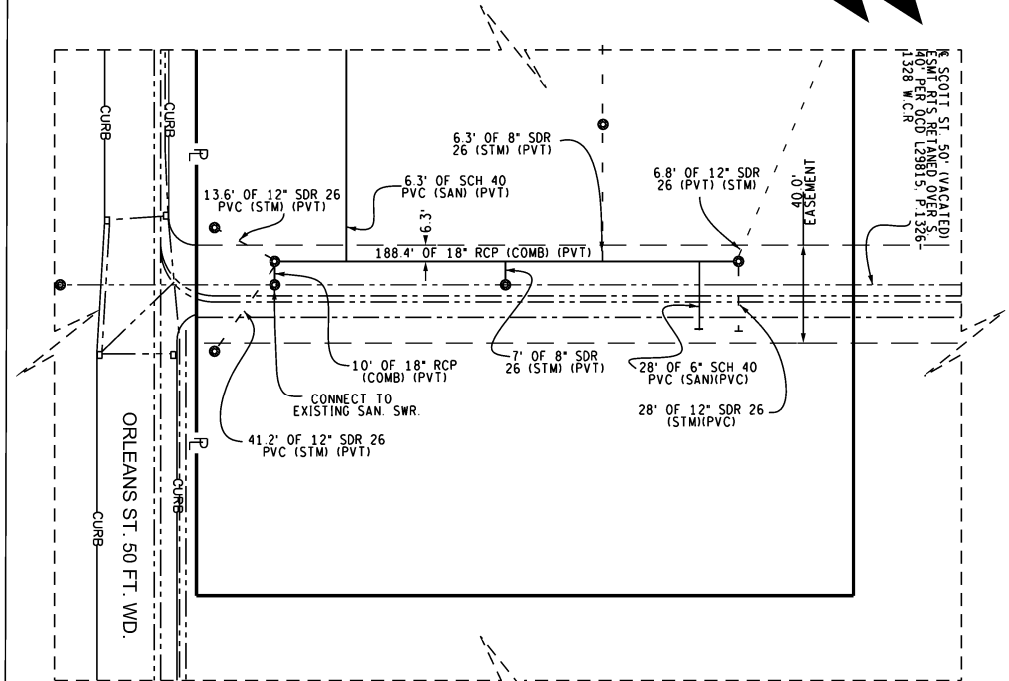
B					
A					
DESCRIPTION	DRWN	CHKD	APPD	DATE	
REVISIONS					
DRAWN BY	SA	CHECKED	JD		
DATE	03-03-21	APPROVED			



DEMOLITION / ABANDONMENT PLAN

LEGEND

- BOUNDARY
- x-x-x-x- TO BE REMOVED
- - - - - EASEMENT
- - - - - EX. WATER MAIN
- - - - - EX. COMBINED



PROPOSED UTILITY PLAN

Range of depth approx. 7.38 ft. below grade at the easterly end and 6.67 ft. below grade at the westerly end.

LEGEND

- BOUNDARY
- PROPOSED COMBINED
- EX. COMBINED
- - - - - EX. WATER MAIN
- - - - - PROPOSED STORM

B					
A					
DESCRIPTION	DRWN	CHKD	APPD	DATE	
REVISIONS					
DRAWN BY	SA	CHECKED	JD		
DATE	03-03-21	APPROVED			

REQUEST ENCROACHMENT  
 INTO THE UTILITY EASEMENT EXISTING OVER VACATED SCOT ST.,  
 EAST OF ORLEANS ST.,  
 FOR THE PURPOSE OF REPLACING AN EXISTING WATER LINE.

CITY OF DETROIT CITY ENGINEERING DIVISION SURVEY BUREAU	
JOB NO. 01-01	SHEET NO.
DRWG. NO. X 1377	2 OF 2

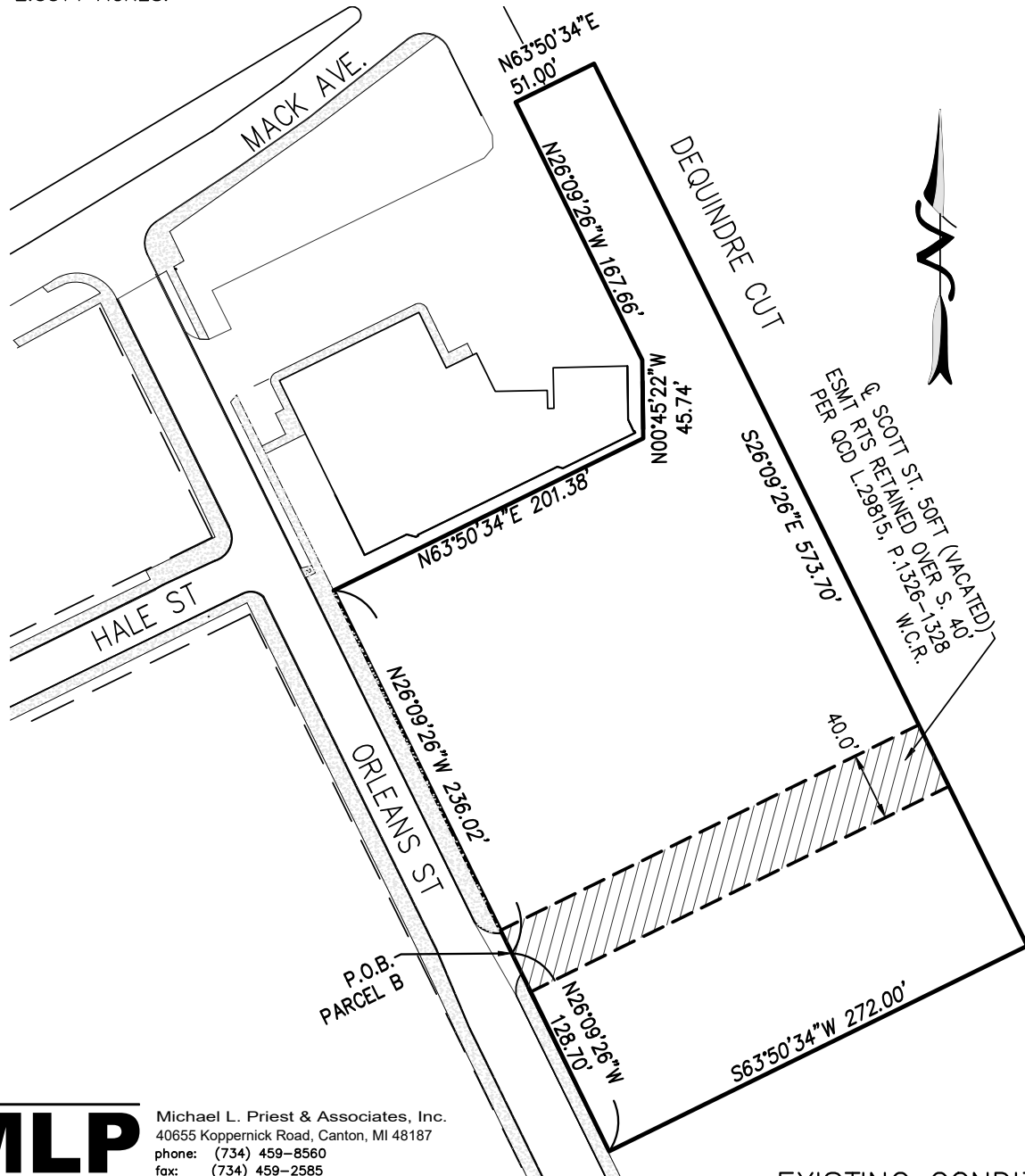
# EDIBLES REX – CLIMB ON DETROIT ENCROACHMENT DETAIL

**LEGAL DESCRIPTION:**

**DESCRIPTION OF PARCEL B:**

A PARCEL OF LAND LOCATED IN PART OF PRIVATE CLAIMS 8 AND 17, CITY OF DETROIT, WAYNE COUNTY, MICHIGAN, DESCRIBED AS:

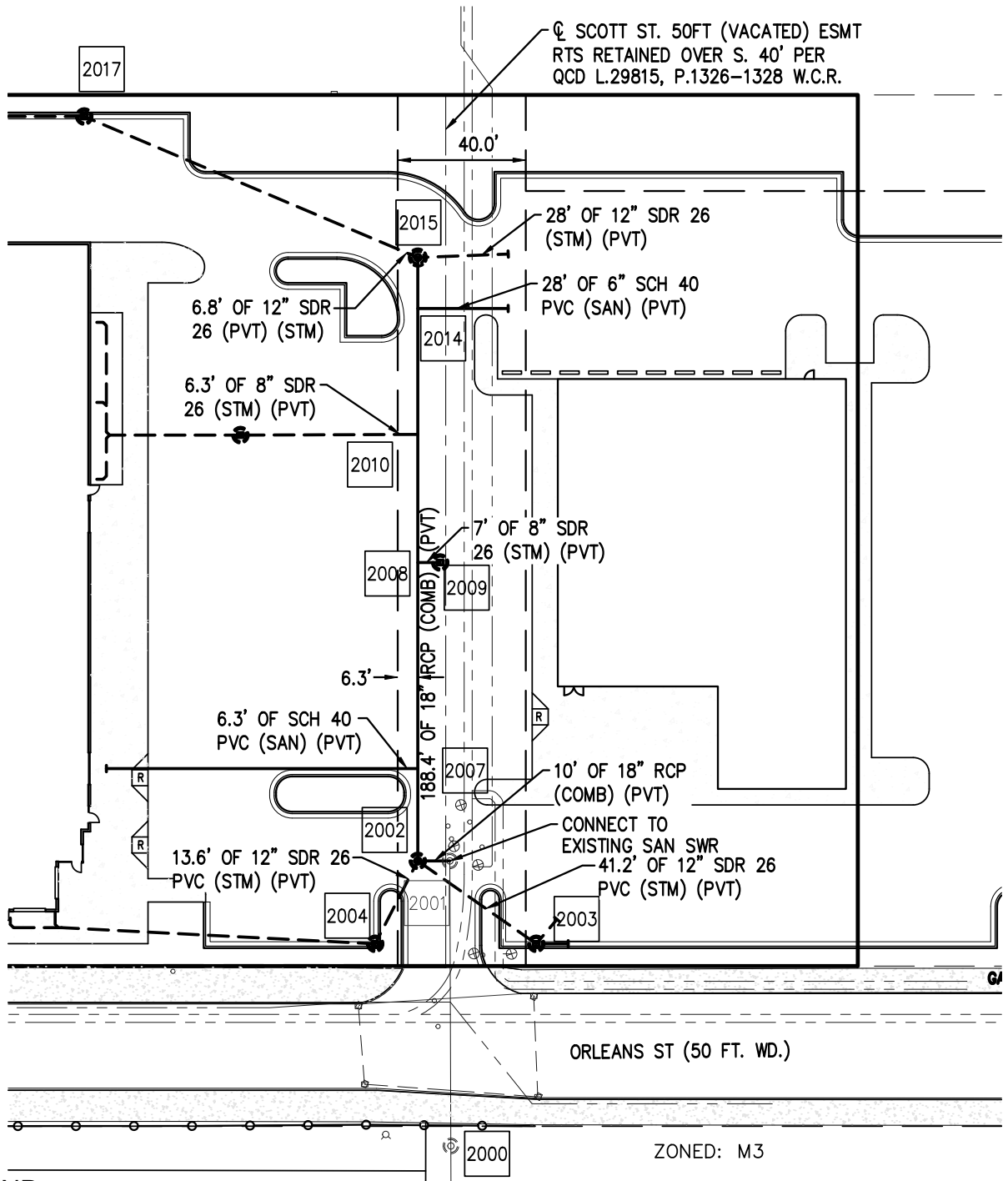
BEGINNING AT THE INTERSECTION OF THE EASTERLY LINE OF ORLEANS STREET (50 FEET WIDE) AND THE CENTERLINE OF VACATED SCOTT STREET (50 FEET WIDE); THENCE ALONG SAID EASTERLY LINE OF ORLEANS STREET N26°09'26"W 236.02 FEET; THENCE N63°50'34"E 201.38 FEET; THENCE N00°45'22"W 45.74 FEET; THENCE N26°09'26"W 167.66 FEET; THENCE N63°50'34"E 51.00 FEET TO THE WESTERLY LINE OF THE CANADIAN NATIONAL RAILROAD RIGHT-OF-WAY (60 FEET WIDE); THENCE ALONG SAID RAILROAD RIGHT-OF-WAY S26°09'26"E 573.70 FEET; THENCE S63°50'34"W 272.00 FEET TO THE EASTERY LINE OF ORLEANS STREET (50 FEET WIDE); THENCE ALONG SAID LINE OF ORLEANS STREET N26°09'26"W 128.70 FEET TO THE POINT OF BEGINNING. THE ABOVE DESCRIBED PARCEL CONTAINS 2.5314 ACRES.



Michael L. Priest & Associates, Inc.  
40655 Koppernick Road, Canton, MI 48187  
phone: (734) 459-8560  
fax: (734) 459-2585

EXISTING CONDITIONS PLAN

# EDIBLES REX – CLIMB ON DETROIT ENCROACHMENT DETAIL



## LEGEND:

- BOUNDARY
- PROPOSED COMBINED
- EXISTING COMBINED
- EXISTING WATER MAIN
- PROPOSED STORM



Michael L. Priest & Associates, Inc.  
 40655 Koppernick Road, Canton, MI 48187  
 phone: (734) 459-8560  
 fax: (734) 459-2585

PROPOSED UTILITY PLAN

DATE: 01-15-2021

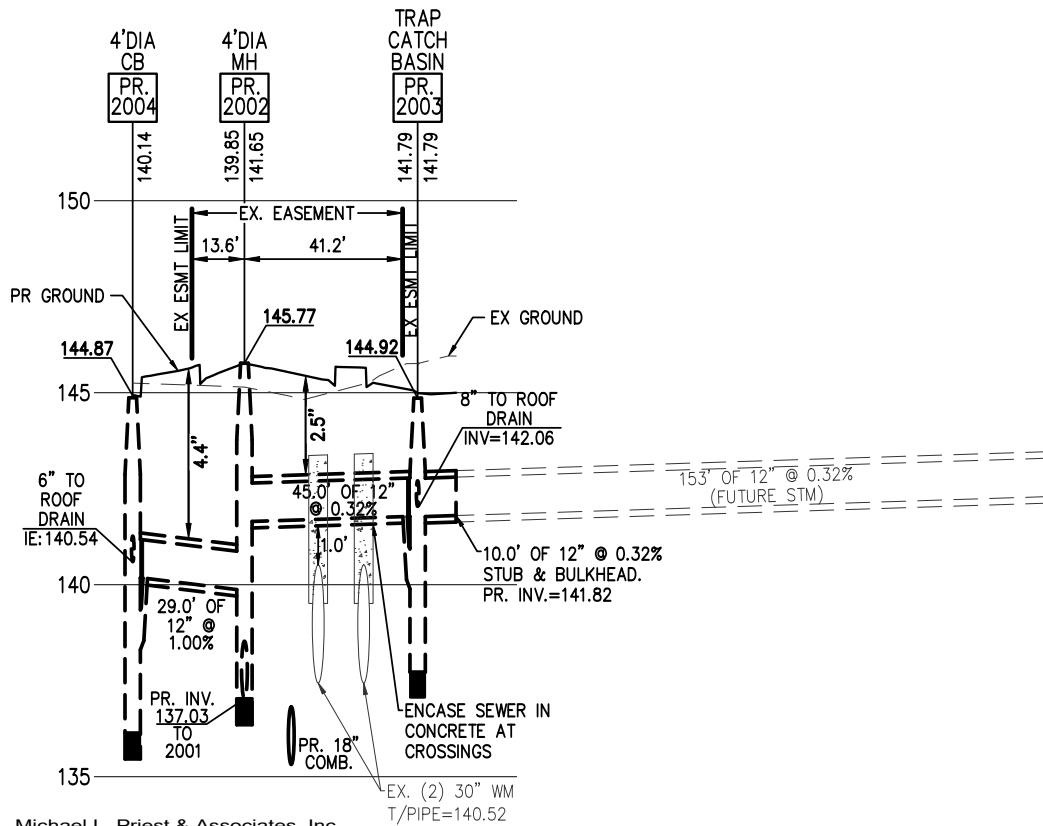
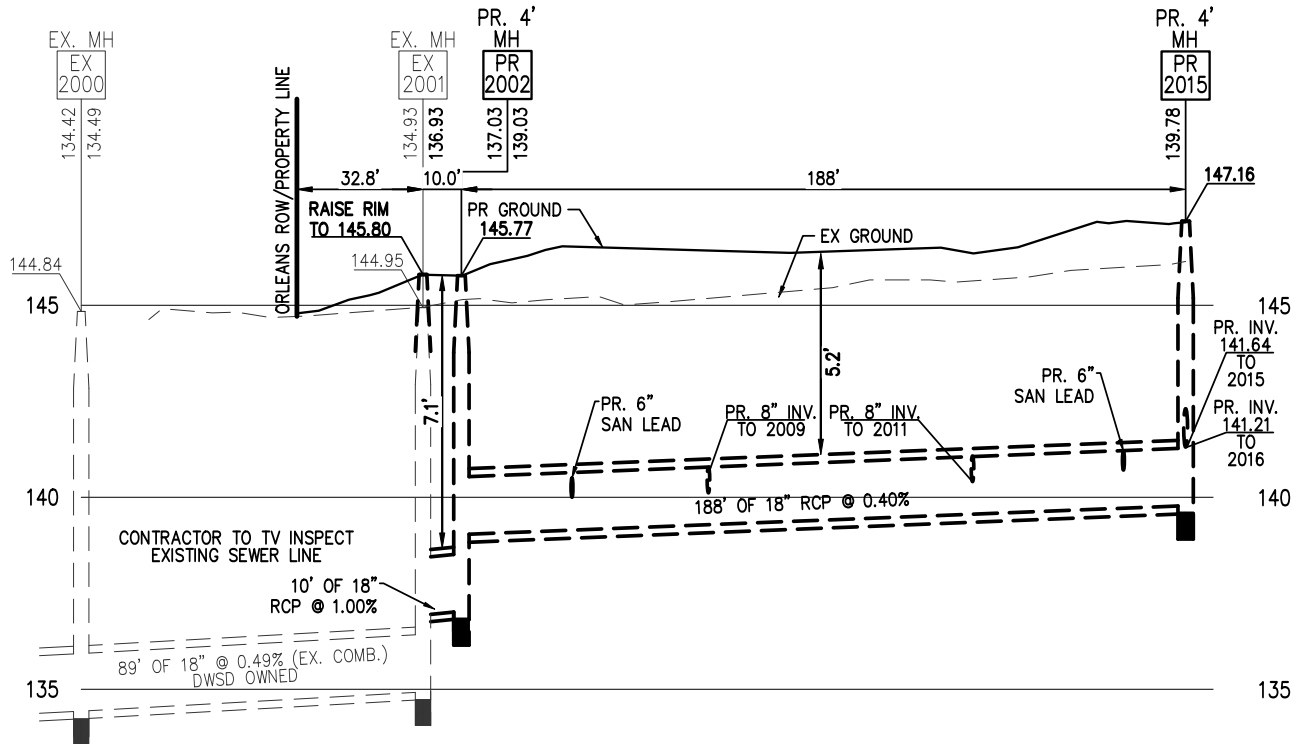
SCALE: 1" = 50'

SURVEY NO.: 2010.08

SHEET NO.: 3 OF 7



# EDIBLES REX – CLIMB ON DETROIT ENCROACHMENT DETAIL



Michael L. Priest & Associates, Inc.  
 40655 Koppernick Road, Canton, MI 48187  
 phone: (734) 459-8560  
 fax: (734) 459-2585

PROFILES PLAN

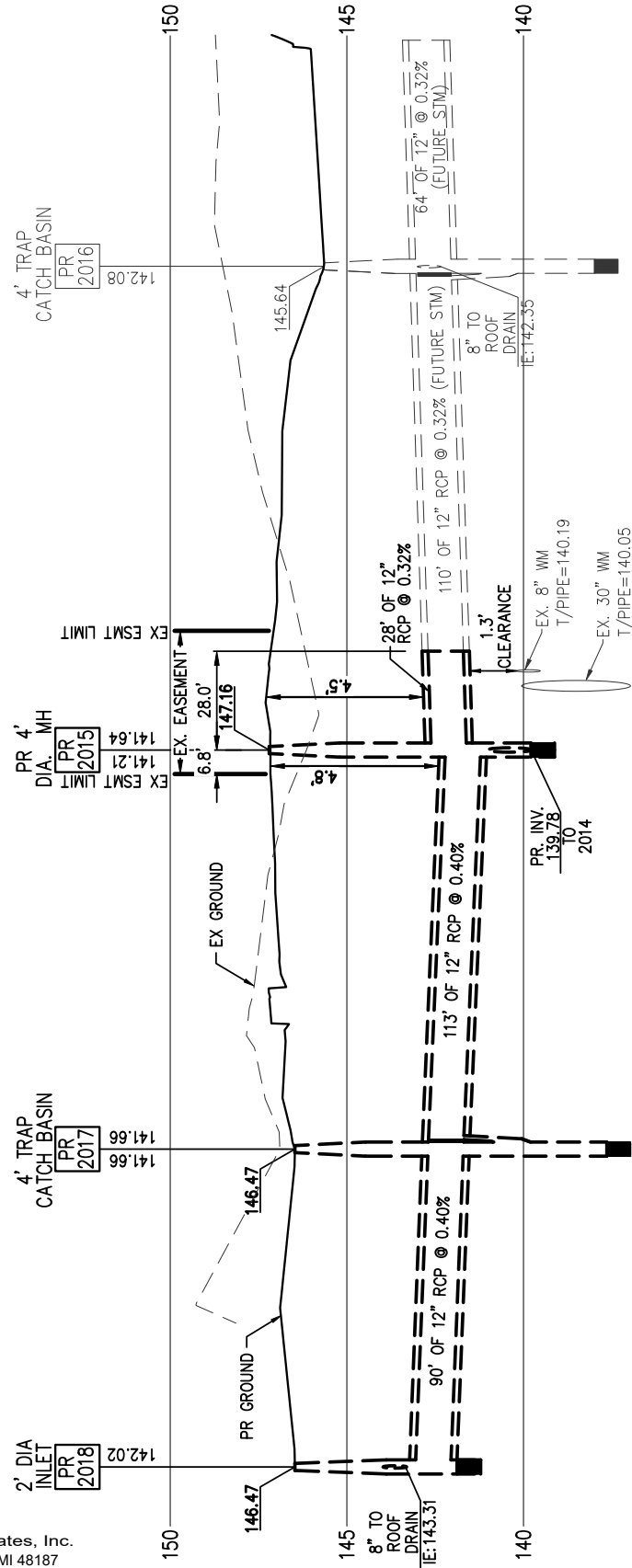
DATE: 01-15-2021

SCALE: 1" = 50'

SURVEY NO.: 2010.08

SHEET NO.: 4 OF 7

# EDIBLES REX – CLIMB ON DETROIT ENCROACHMENT DETAIL



Michael L. Priest & Associates, Inc.  
 40655 Koppernick Road, Canton, MI 48187  
 phone: (734) 459-8560  
 fax: (734) 459-2585

PROFILES PLAN

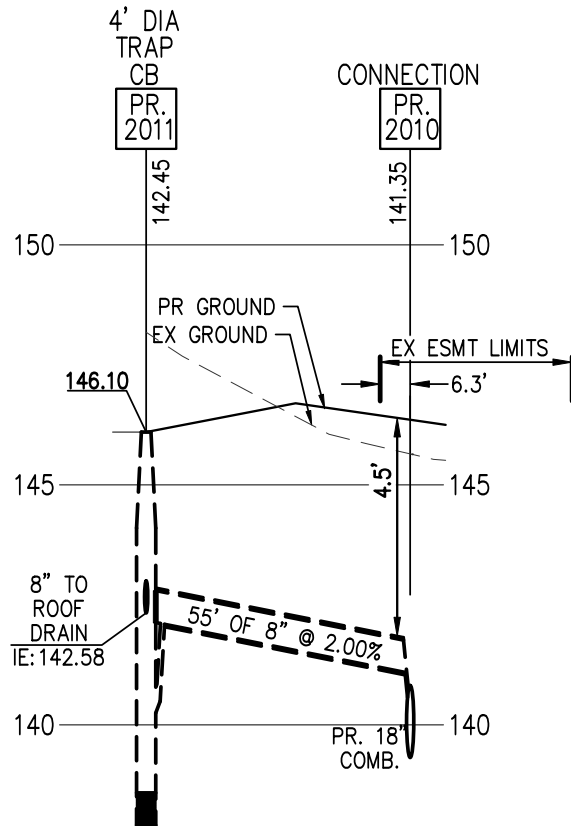
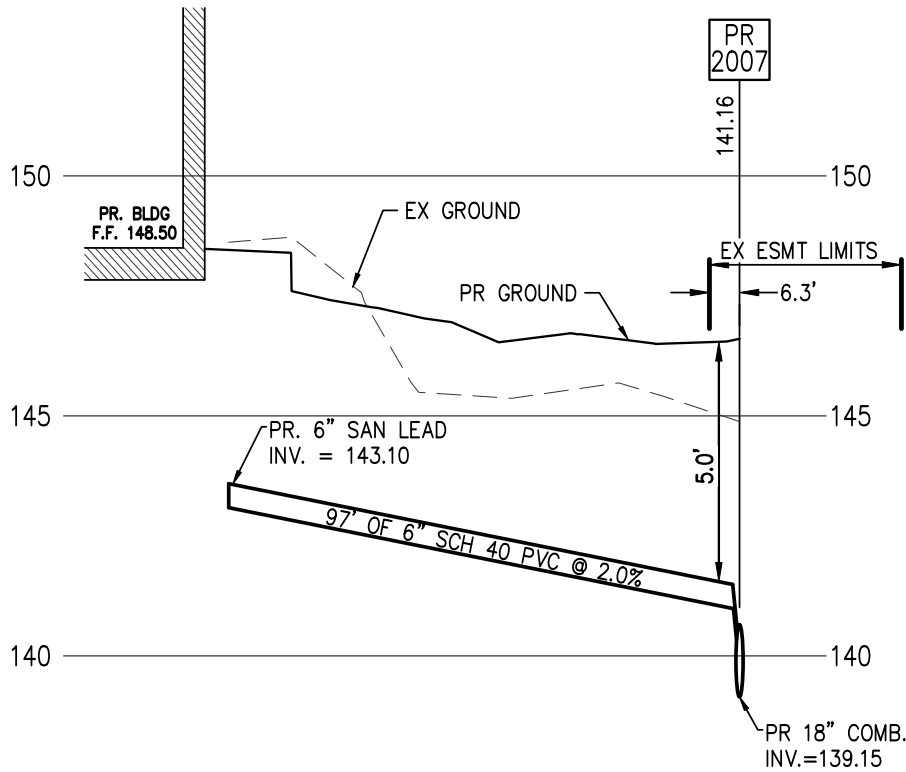
DATE: 01-15-2021

SCALE: 1" = 50'

SURVEY NO.: 2010.08

SHEET NO.: 5 OF 7

# EDIBLES REX – CLIMB ON DETROIT ENCROACHMENT DETAIL



**MLP**

Michael L. Priest & Associates, Inc.  
40655 Koppernick Road, Canton, MI 48187  
phone: (734) 459-8560  
fax: (734) 459-2585

PROFILES PLAN

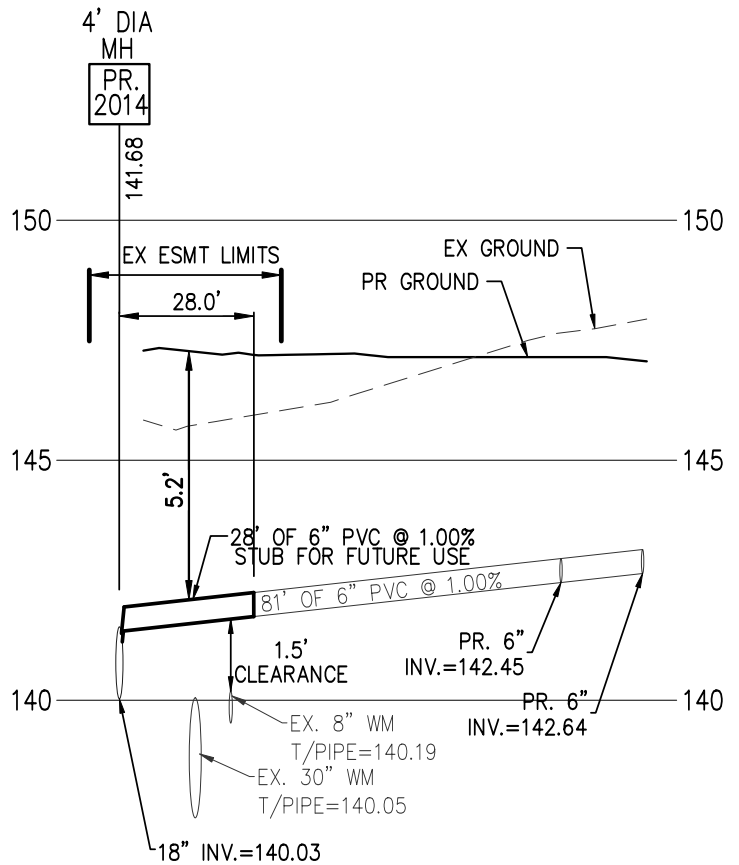
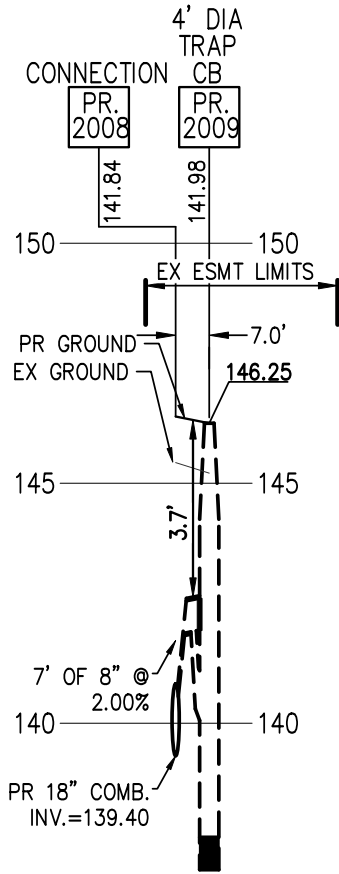
DATE: 01-15-2021

SCALE: 1" = 40'

SURVEY NO.: 2010.08

SHEET NO.: 6 OF 7

# EDIBLES REX – CLIMB ON DETROIT ENCROACHMENT DETAIL



Michael L. Priest & Associates, Inc.  
40655 Koppernick Road, Canton, MI 48187  
phone: (734) 459-8560  
fax: (734) 459-2585

PROFILES PLAN

DATE: 01-15-2021

SCALE: 1" = 40'

SURVEY NO.: 2010.08

SHEET NO.: 7 OF 7