

**City of Detroit**  
**City Engineering Division, Department of Public Works**  
**Maps and Records Bureau**

**NOTICE OF PROPOSED CHANGE IN PROPERTY**

**Date:** \_\_\_\_\_

**Petition:** \_\_\_\_\_

- |   |   |
|---|---|
| <input type="checkbox"/> AT&T Telecommunication                   | <input type="checkbox"/> Berm Use               |
| <input type="checkbox"/> Comcast Television (CATV)                | <input type="checkbox"/> Conversion to Easement |
| <input type="checkbox"/> Detroit Edison (DTE)                     | <input type="checkbox"/> Dedication             |
| <input type="checkbox"/> Fire Department                          | <input type="checkbox"/> Encroachment           |
| <input type="checkbox"/> Great Lakes Water Authority              | <input type="checkbox"/> Outright Vacation      |
| <input type="checkbox"/> Land Bank Authority                      | <input type="checkbox"/> Temporary Closing      |
| <input type="checkbox"/> Michcon (DTE)                            |   |
| <input type="checkbox"/> Planning & Development Department        |   |
| <input type="checkbox"/> Public Lighting Authority                |   |
| <input type="checkbox"/> Public Lighting Department               |   |
| <input type="checkbox"/> Police Department                        |   |
| <input type="checkbox"/> Solid Waste Division, DPW                |   |
| <input type="checkbox"/> Street Design Bureau, DPW                |   |
| <input type="checkbox"/> Street Maintenance Division, DPW         |   |
| <input type="checkbox"/> Traffic Engineering Division, DPW        |   |
| <input type="checkbox"/> Water and Sewerage Department            |   |
| <input type="checkbox"/> Detroit Thermal                          |   |
| <input type="checkbox"/> International Transmission Company (ITC) |   |

A petition drawing is attached. Property shown on the attached print is proposed to be changed as indicated. Kindly report (using the back of this sheet) the nature of your services, if any affected by the proposed change and the estimated costs of removing and rerouting such services (if necessary). If a response is not received after a second notice of proposed change has been issued DPW will make the determination to move forward with the petition.

Please return one copy to City Engineering Division, DPW within two weeks of the submittal date. Retain one copy and print for you file.

Ron Brundidge, Director, Department of Public Works

By: Richard Doherty, CED DPW  
City Engineer

**TO: City Engineering Division, DPW  
2 Woodward Ave., Suite 642  
Detroit, Michigan 48226-3462  
Survey Bureau: 313-224-3970**

**Petition: \_\_\_\_\_**

The proposed change in property (referred to on the other side of this sheet) would affect our services as follows:

- Not Involved
- Involved; but no objections to the property change.
- Involved; objection to the property change.
- Involved; the nature of our services and the estimated costs of removing and/or rerouting such services are:

**Objections, Please leave a brief explanation for any objection or the nature of an estimated cost:**

\_\_\_\_\_  
(Utility or City Department)

\_\_\_\_\_  
By

\_\_\_\_\_  
Title

\_\_\_\_\_  
Date

\_\_\_\_\_  
Area code – Telephone number

Janice M. Winfrey  
City Clerk

**City of Detroit**  
OFFICE OF THE CITY CLERK

Andre P. Gilbert II  
Deputy City Clerk

**DEPARTMENTAL REFERENCE COMMUNICATION**

*Tuesday, January 19, 2021*

*To: The Department or Commission Listed Below*

*From: Janice M. Winfrey, Detroit City Clerk*

---

The following petition is herewith referred to you for report and recommendation to the City Council.

In accordance with that body's directive, kindly return the same with your report in duplicate within four (4) weeks.

---

LEGISLATIVE POLICY DIVISION PLANNING AND DEVELOPMENT DEPARTMENT  
LAW DEPARTMENT FINANCE DEPT/ASSESSMENTS DIVISION

**1372** *Diversified Fuels Properties LLC request to encroach into east and west sides of Dexter Avenue, north of West Grand Blvd, for the purpose of testing soil around the fuel tanks located at 2019 West Grand Blvd. in Detroit, MI.*



CITY OF DETROIT  
DEPARTMENT OF PUBLIC WORKS  
CITY ENGINEERING DIVISION

COLEMAN A. YOUNG MUNICIPAL CENTER  
2 WOODWARD AVE. SUITE 601  
DETROIT, MICHIGAN 48226  
PHONE: (313) 224-3949 TTY: 711  
WWW.DETROITMI.GOV

---

To: Clerk's Office  
From: The Department of Public Works  
City Engineering Division  
MapsandRecordsBureau@DetroitMI.Gov  
(313) 224-3970

Petitioner:  
**Diversified Fuels Properties LLC**  
**Represented by PM Environmental, Inc.**  
**3340 Ranger Road**  
**Lansing, MI 48906**  
**517-321-3331**

On behalf of the above mentioned petitioner the Department of Public Works: City Engineering Division is submitting a petition request for the below mentioned action. The petitioner has received a project consultation from the Department of Public Works: City Engineering Division and has been advised the following:

**Type of action recommended:**

**Petition for encroachment of monitoring wells to be installed into the east and west sides of Dexter Avenue, north of West Grand Blvd, for the purpose of testing soil around the fuel tanks located at 2019 West Grand Blvd.**

Reviewed by:

Jered Dean  
Manager II

Maps and Records Bureau  
[MapsandRecordBureau@Detroitmi.gov](mailto:MapsandRecordBureau@Detroitmi.gov)  
313-224-3970



**Corporate Headquarters**  
Lansing, Michigan  
3340 Ranger Road, Lansing, MI 48906  
f: 877.884.6775  
t: 517.321.3331

**Michigan Locations**  
Berkley      Bay City  
Grand Rapids      Detroit  
Chesterfield      Lansing

January 8, 2021

Mr. Jered Dean  
Buildings, Safety, Engineering, and Environmental Department  
Coleman A. Young Municipal Center  
2 Woodward Avenue, 4<sup>th</sup> Floor  
Detroit, Michigan 48226

**RE: Request to Install Up to Five Groundwater Monitoring Wells Within the Dexter Avenue Right-of-Way**

To Mr. Dean,

PM Environmental, Inc. (PM) is under contract with Diversified Fuels, Inc. (Owner) to investigate the extent of impact resulting from an open leaking underground storage tank (LUST) gasoline release (C-0146-20) at the commercial property located at 2021 W Grand Boulevard, Detroit, Wayne County, Michigan.

PM is requesting approval, in addition to submitting a permit application, to conduct subsurface work on behalf of Diversified Fuels, Inc. within the Dexter Avenue right-of-way, as shown in the attached Figure 1. PM will install five (5) soil borings to a maximum depth of 20 feet below ground surface to collect soil samples. The soil borings will be completed with permanent groundwater monitoring wells. The investigation will begin as soon as the permit is granted and will continue until regulatory closure of release C-0146-20 is achieved. Following closure, all well materials will be removed from the ground and the area returned to normal conditions.

If you have any questions related to this report, please do not hesitate to contact our office at (248) 336-9988 or via email at [repp@pmenv.com](mailto:repp@pmenv.com).

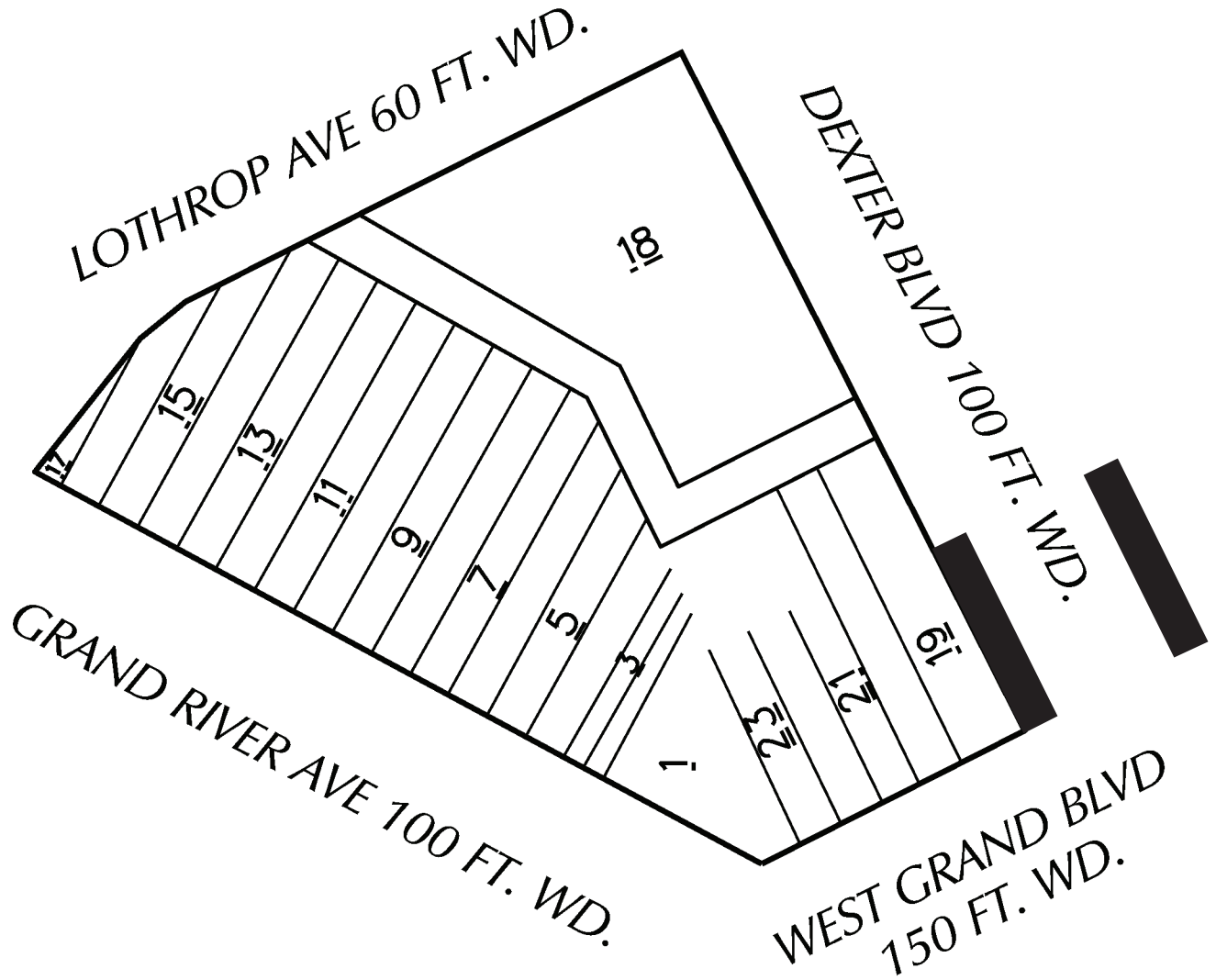
Sincerely,  
**PM Environmental, Inc.**

Tracy L. Repp, CPG  
Senior Project Geologist

Attached:

Figure 1: Proposed Soil Boring/Permanent Monitoring Well Location Map  
Figure 2: Typical Monitoring Well Construction Diagram

PETITION NO.XXXX  
 C/O TRACY L REPP  
 PM ENVIRONMENTAL, INC. (PM)  
 (248) 336-9988  
 REPP@PMENV.COM



 - SOIL BORING/MONITORING WELL

(FOR OFFICE USE ONLY)

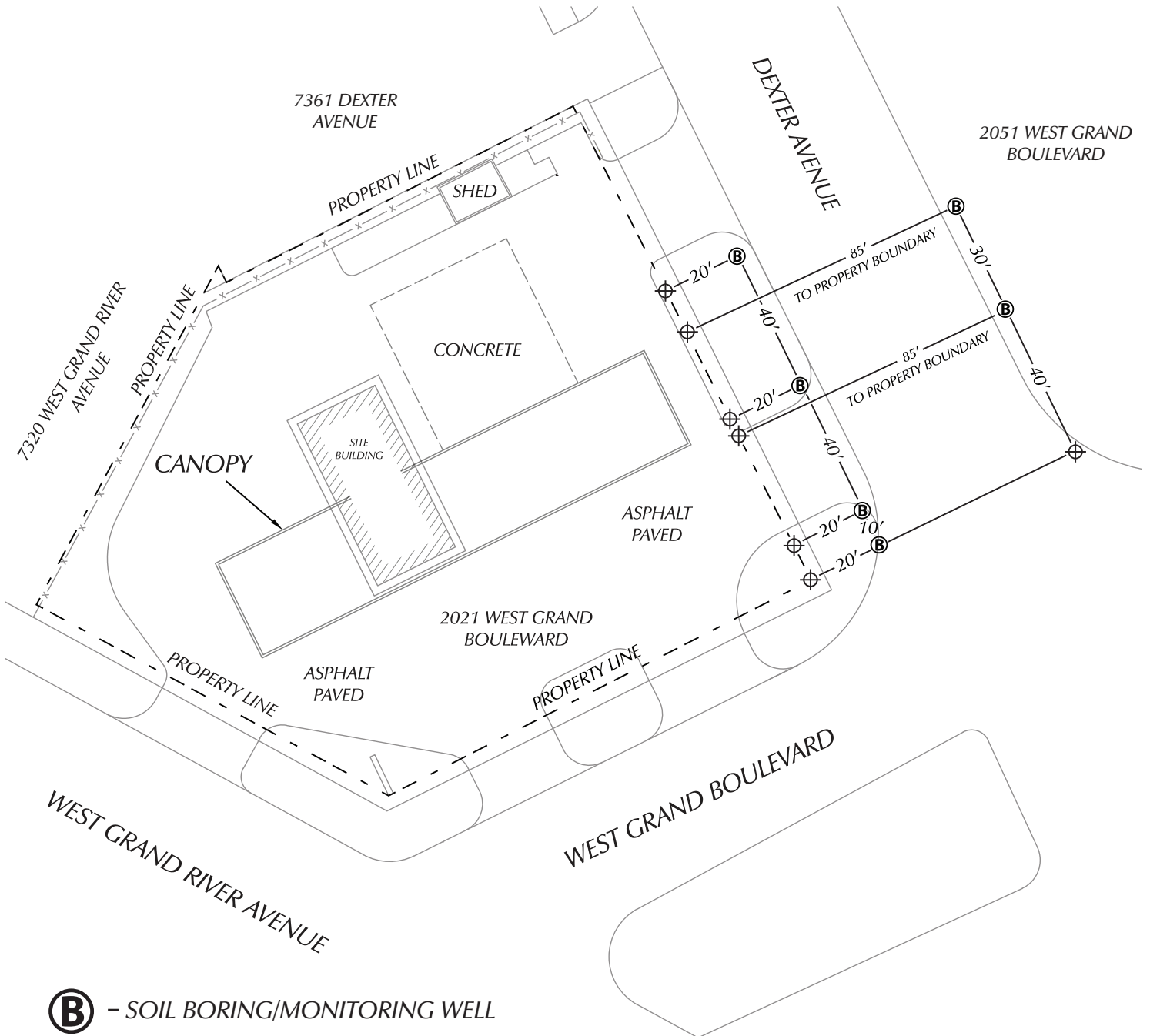
CARTO 21 C

<b>B</b>					
	<b>A</b>				
DESCRIPTION		DRWN	CHKD	APPD	DATE
REVISIONS					
DRAWN BY		CHECKED			
DATE		APPROVED BY			
01-15-21		JD			

SOIL BORINGS FOR SAMPLES IN THE  
 BLOCK BOUND BY DEXTER BLVD,  
 WEST GRAND BLVD, GRAND RIVER  
 AVE, AND LOTHROP AVE.

<b>CITY OF DETROIT</b>	
CITY ENGINEERING DIVISION	
SURVEY BUREAU	
JOB NO.	01-01
DRWG. NO.	X

PETITION NO.XXXX  
 C/O TRACY L REPP  
 PM ENVIRONMENTAL, INC. (PM)  
 (248) 336-9988  
 REPP@PMENV.COM



- (B)** - SOIL BORING/MONITORING WELL
- (⊕)** - DISTANCE REFERENCE POINT

(FOR OFFICE USE ONLY)

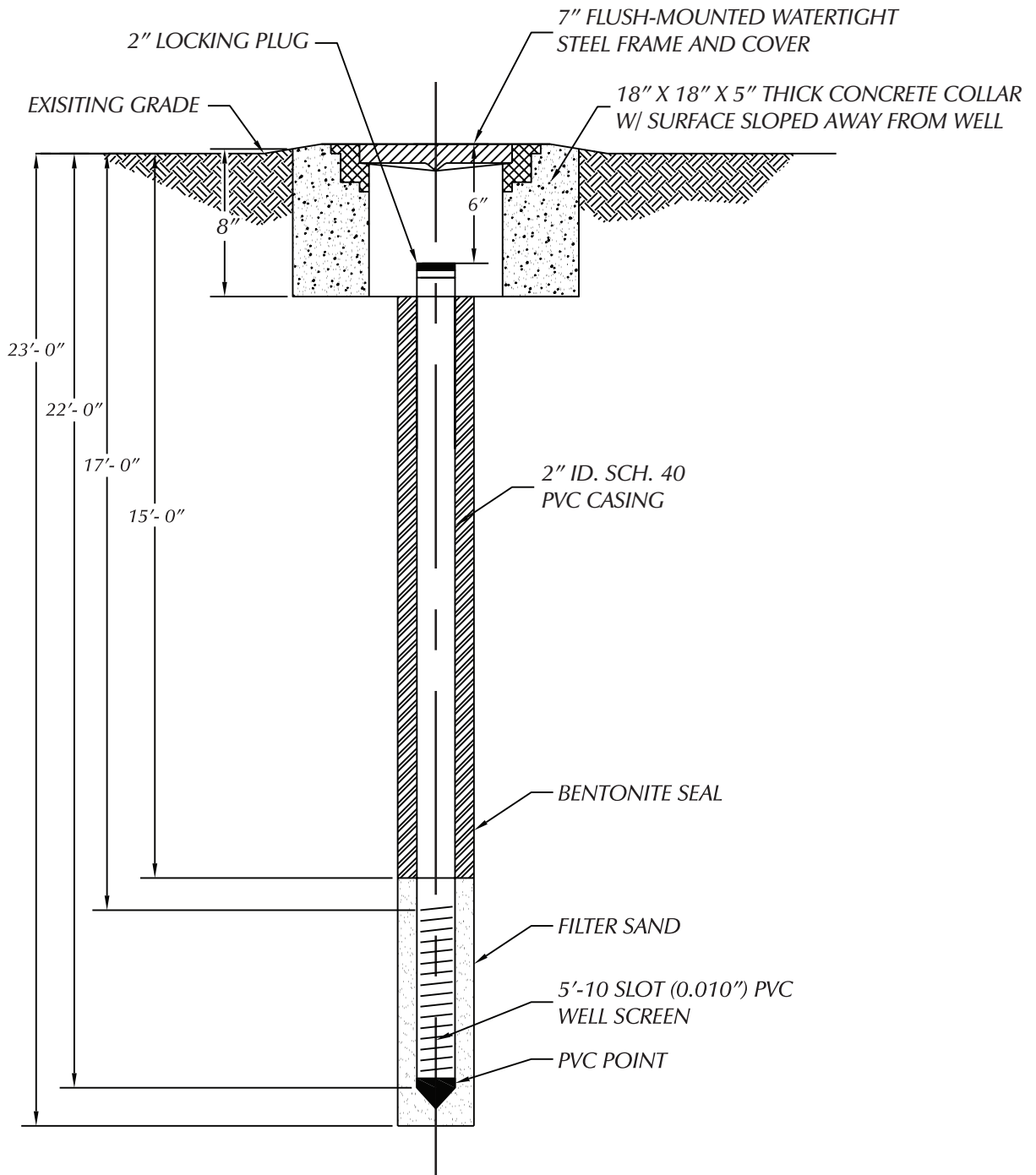
CARTO 21 C

<b>B</b>					
<b>A</b>					
DESCRIPTION	DRWN	CHKD	APPD	DATE	
REVISIONS					
DRAWN BY	KJ		CHECKED		
DATE	01-15-21		APPROVED BY	JD	

SOIL BORINGS FOR SAMPLES IN THE  
 BLOCK BOUND BY DEXTER BLVD,  
 WEST GRAND BLVD, GRAND RIVER  
 AVE, AND LOTHROP AVE.

<b>CITY OF DETROIT</b>	
CITY ENGINEERING DIVISION	
SURVEY BUREAU	
JOB NO.	01-02
DRWG. NO.	X

TYPICAL MONITORING WELL DIAGRAM



(FOR OFFICE USE ONLY)

CARTO 21 C

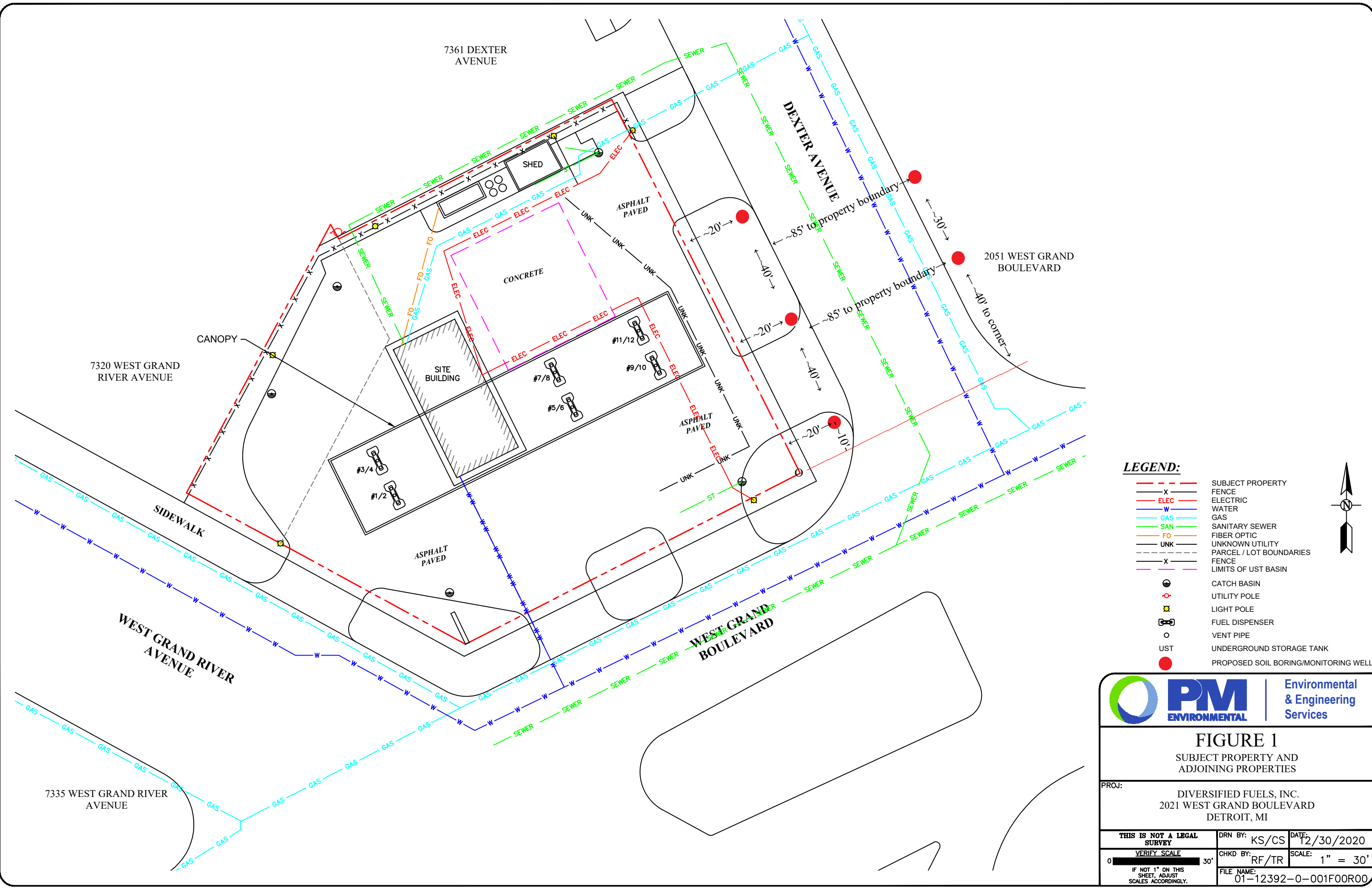
SOIL BORINGS FOR SAMPLES IN THE  
BLOCK BOUND BY DEXTER BLVD,  
WEST GRAND BLVD, GRAND RIVER  
AVE, AND LOTHROP AVE.

CITY OF DETROIT  
CITY ENGINEERING DIVISION  
SURVEY BUREAU

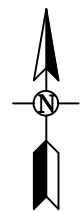
<b>B</b>					
	<b>A</b>				
DESCRIPTION		DRWN	CHKD	APPD	DATE
REVISIONS					
DRAWN BY	CHECKED				
DATE	APPROVED BY				
01-15-21	JD				

JOB NO. 01-03  
DRWG. NO. X





- LEGEND:**
- SUBJECT PROPERTY
  - X- FENCE
  - ELEC- ELECTRIC
  - W- WATER
  - GAS- GAS
  - SAN- SANITARY SEWER
  - FO- FIBER OPTIC
  - UNK- UNKNOWN UTILITY
  - - - PARCEL / LOT BOUNDARIES
  - X- FENCE
  - - - LIMITS OF UST BASIN
  - ⊙ CATCH BASIN
  - ⊙ UTILITY POLE
  - ⊙ LIGHT POLE
  - ⊙ FUEL DISPENSER
  - VENT PIPE
  - UST
  - PROPOSED SOIL BORING/MONITORING WELL



**FIGURE 1**  
SUBJECT PROPERTY AND  
ADJOINING PROPERTIES

PROJ: DIVERSIFIED FUELS, INC.  
2021 WEST GRAND BOULEVARD  
DETROIT, MI

THIS IS NOT A LEGAL SURVEY	DRN BY: KS/CS	DATE: 12/30/2020
VERIFY SCALE	CHKD BY: RF/TR	SCALE: 1" = 30'
IF NOT 1" ON THIS SHEET, ADJUST SCALES ACCORDINGLY.		
FILE NAME: 01-12392-0-001F00R00		