

City of Detroit
City Engineering Division, Department of Public Works
Maps and Records Bureau

NOTICE OF PROPOSED CHANGE IN PROPERTY

Date: _____

Petition: _____

- | | |
|---|---|
| <input type="checkbox"/> AT&T Telecommunication | <input type="checkbox"/> Berm Use |
| <input type="checkbox"/> Comcast Television (CATV) | <input type="checkbox"/> Conversion to Easement |
| <input type="checkbox"/> Detroit Edison (DTE) | <input type="checkbox"/> Dedication |
| <input type="checkbox"/> Fire Department | <input type="checkbox"/> Encroachment |
| <input type="checkbox"/> Great Lakes Water Authority | <input type="checkbox"/> Outright Vacation |
| <input type="checkbox"/> Land Bank Authority | <input type="checkbox"/> Temporary Closing |
| <input type="checkbox"/> Michcon (DTE) | |
| <input type="checkbox"/> Planning & Development Department | |
| <input type="checkbox"/> Public Lighting Authority | |
| <input type="checkbox"/> Public Lighting Department | |
| <input type="checkbox"/> Police Department | |
| <input type="checkbox"/> Solid Waste Division, DPW | |
| <input type="checkbox"/> Street Design Bureau, DPW | |
| <input type="checkbox"/> Street Maintenance Division, DPW | |
| <input type="checkbox"/> Traffic Engineering Division, DPW | |
| <input type="checkbox"/> Water and Sewerage Department | |
| <input type="checkbox"/> Detroit Thermal | |
| <input type="checkbox"/> International Transmission Company (ITC) | |

A petition drawing is attached. Property shown on the attached print is proposed to be changed as indicated. Kindly report (using the back of this sheet) the nature of your services, if any affected by the proposed change and the estimated costs of removing and rerouting such services (if necessary). If a response is not received after a second notice of proposed change has been issued DPW will make the determination to move forward with the petition.

Please return one copy to City Engineering Division, DPW within two weeks of the submittal date. Retain one copy and print for you file.

Ron Brundidge, Director, Department of Public Works

By: Richard Doherty, CED DPW
City Engineer

**TO: City Engineering Division, DPW
2 Woodward Ave., Suite 642
Detroit, Michigan 48226-3462
Survey Bureau: 313-224-3970**

Petition: _____

The proposed change in property (referred to on the other side of this sheet) would affect our services as follows:

- Not Involved
- Involved; but no objections to the property change.
- Involved; objection to the property change.
- Involved; the nature of our services and the estimated costs of removing and/or rerouting such services are:

Objections, Please leave a brief explanation for any objection or the nature of an estimated cost:

(Utility or City Department)

By

Title

Date

Area code – Telephone number

Janice M. Winfrey
City Clerk

City of Detroit
OFFICE OF THE CITY CLERK

Andre P. Gilbert II
Deputy City Clerk

DEPARTMENTAL REFERENCE COMMUNICATION

Tuesday, January 19, 2021

To: The Department or Commission Listed Below

From: Janice M. Winfrey, Detroit City Clerk

The following petition is herewith referred to you for report and recommendation to the City Council.

In accordance with that body's directive, kindly return the same with your report in duplicate within four (4) weeks.

LEGISLATIVE POLICY DIVISION PLANNING AND DEVELOPMENT DEPARTMENT
LAW DEPARTMENT FINANCE DEPT/ASSESSMENTS DIVISION

1372 *Diversified Fuels Properties LLC request to encroach into east and west sides of Dexter Avenue, north of West Grand Blvd, for the purpose of testing soil around the fuel tanks located at 2019 West Grand Blvd. in Detroit, MI.*



CITY OF DETROIT
DEPARTMENT OF PUBLIC WORKS
CITY ENGINEERING DIVISION

COLEMAN A. YOUNG MUNICIPAL CENTER
2 WOODWARD AVE. SUITE 601
DETROIT, MICHIGAN 48226
PHONE: (313) 224-3949 TTY: 711
WWW.DETROITMI.GOV

To: Clerk's Office
From: The Department of Public Works
City Engineering Division
MapsandRecordsBureau@DetroitMI.Gov
(313) 224-3970

Petitioner:
Diversified Fuels Properties LLC
Represented by PM Environmental, Inc.
3340 Ranger Road
Lansing, MI 48906
517-321-3331

On behalf of the above mentioned petitioner the Department of Public Works: City Engineering Division is submitting a petition request for the below mentioned action. The petitioner has received a project consultation from the Department of Public Works: City Engineering Division and has been advised the following:

Type of action recommended:

Petition for encroachment of monitoring wells to be installed into the east and west sides of Dexter Avenue, north of West Grand Blvd, for the purpose of testing soil around the fuel tanks located at 2019 West Grand Blvd.

Reviewed by:

Jered Dean
Manager II

Maps and Records Bureau
MapsandRecordBureau@Detroitmi.gov
313-224-3970



Corporate Headquarters
Lansing, Michigan
3340 Ranger Road, Lansing, MI 48906
f: 877.884.6775
t: 517.321.3331

Michigan Locations
Berkley Bay City
Grand Rapids Detroit
Chesterfield Lansing

January 8, 2021

Mr. Jered Dean
Buildings, Safety, Engineering, and Environmental Department
Coleman A. Young Municipal Center
2 Woodward Avenue, 4th Floor
Detroit, Michigan 48226

RE: Request to Install Up to Five Groundwater Monitoring Wells Within the Dexter Avenue Right-of-Way

To Mr. Dean,

PM Environmental, Inc. (PM) is under contract with Diversified Fuels, Inc. (Owner) to investigate the extent of impact resulting from an open leaking underground storage tank (LUST) gasoline release (C-0146-20) at the commercial property located at 2021 W Grand Boulevard, Detroit, Wayne County, Michigan.

PM is requesting approval, in addition to submitting a permit application, to conduct subsurface work on behalf of Diversified Fuels, Inc. within the Dexter Avenue right-of-way, as shown in the attached Figure 1. PM will install five (5) soil borings to a maximum depth of 20 feet below ground surface to collect soil samples. The soil borings will be completed with permanent groundwater monitoring wells. The investigation will begin as soon as the permit is granted and will continue until regulatory closure of release C-0146-20 is achieved. Following closure, all well materials will be removed from the ground and the area returned to normal conditions.

If you have any questions related to this report, please do not hesitate to contact our office at (248) 336-9988 or via email at repp@pmenv.com.

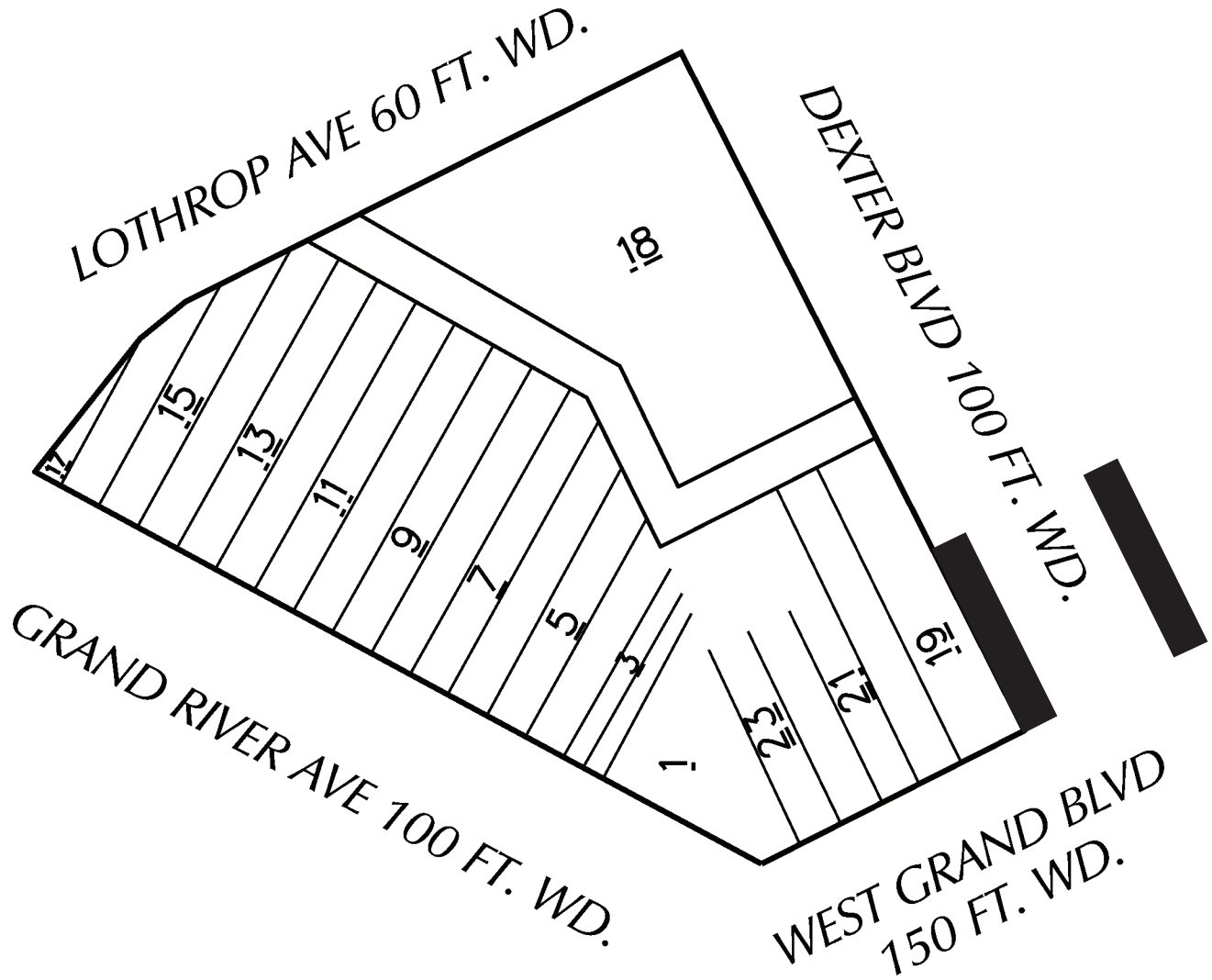
Sincerely,
PM Environmental, Inc.

Tracy L. Repp, CPG
Senior Project Geologist

Attached:

Figure 1: Proposed Soil Boring/Permanent Monitoring Well Location Map
Figure 2: Typical Monitoring Well Construction Diagram

PETITION NO.XXXX
 C/O TRACY L REPP
 PM ENVIRONMENTAL, INC. (PM)
 (248) 336-9988
 REPP@PMENV.COM



 - SOIL BORING/MONITORING WELL

(FOR OFFICE USE ONLY)

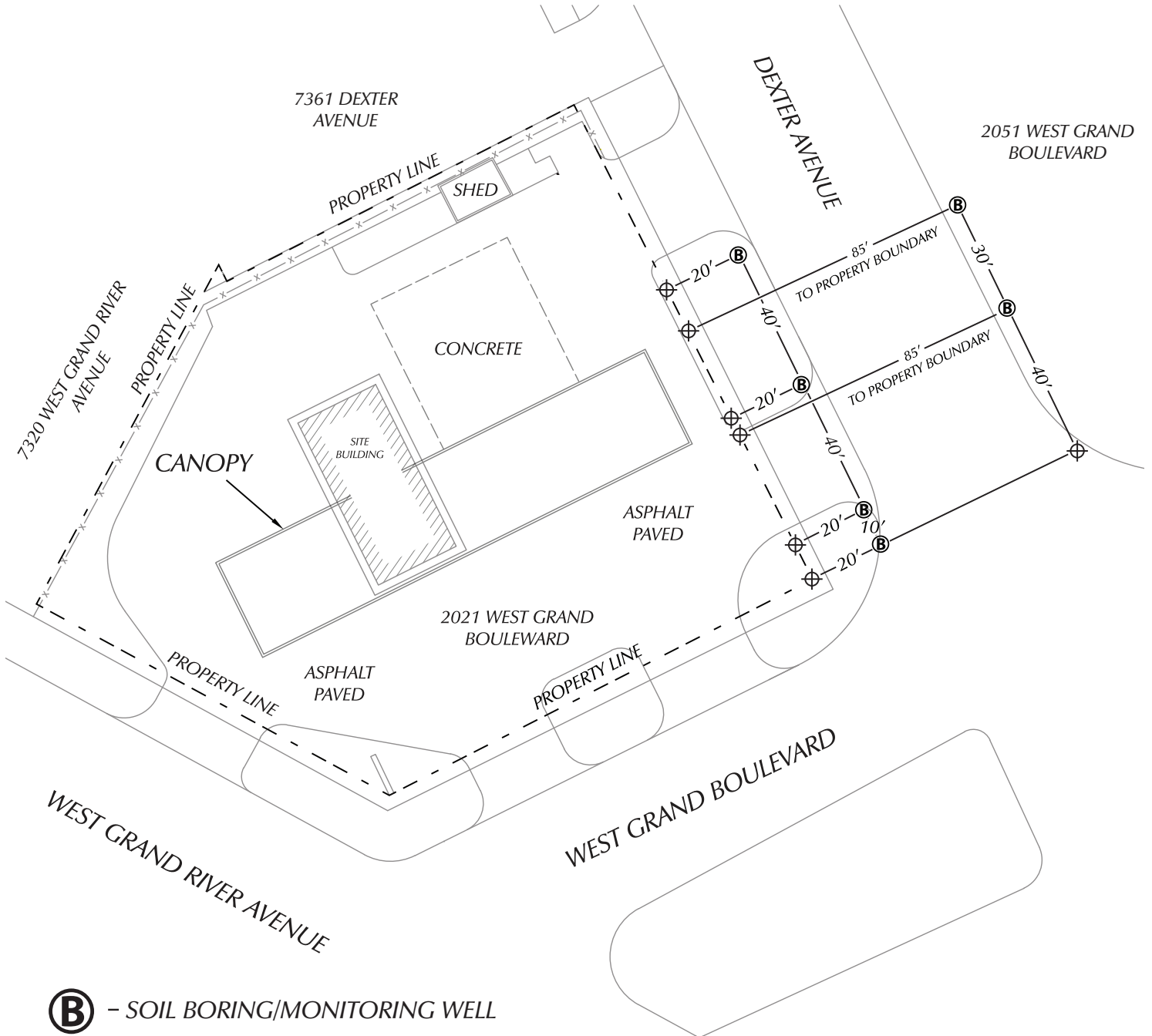
CARTO 21 C

B					
	A				
DESCRIPTION		DRWN	CHKD	APPD	DATE
REVISIONS					
DRAWN BY		CHECKED			
DATE		APPROVED BY			
01-15-21		JD			

SOIL BORINGS FOR SAMPLES IN THE
 BLOCK BOUND BY DEXTER BLVD,
 WEST GRAND BLVD, GRAND RIVER
 AVE, AND LOTHROP AVE.

CITY OF DETROIT	
CITY ENGINEERING DIVISION	
SURVEY BUREAU	
JOB NO.	01-01
DRWG. NO.	X

PETITION NO.XXXX
 C/O TRACY L REPP
 PM ENVIRONMENTAL, INC. (PM)
 (248) 336-9988
 REPP@PMENV.COM



- (B)** - SOIL BORING/MONITORING WELL
- (⊕)** - DISTANCE REFERENCE POINT

(FOR OFFICE USE ONLY)

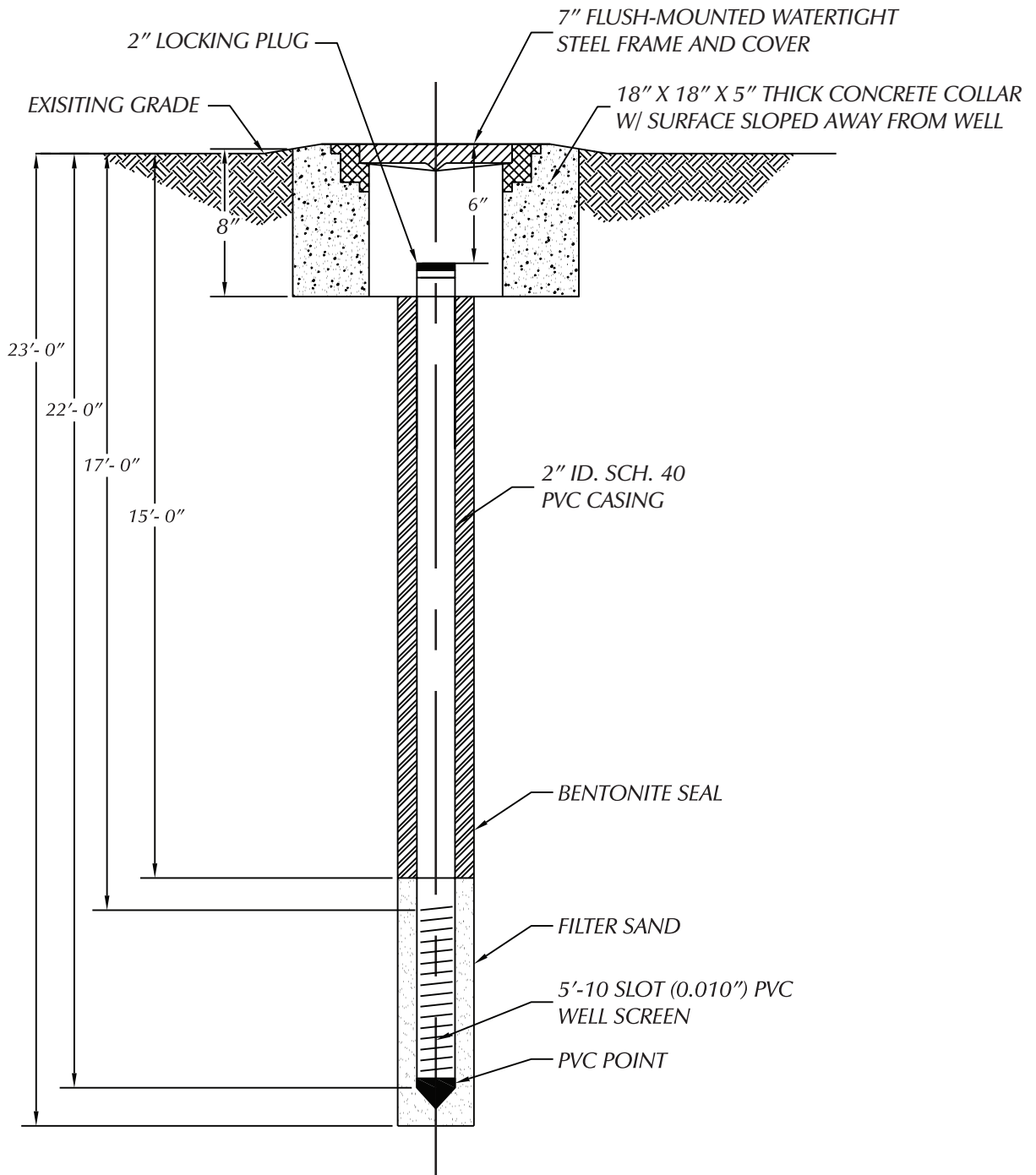
CARTO 21 C

B					
	A				
DESCRIPTION		DRWN	CHKD	APPD	DATE
REVISIONS					
DRAWN BY		CHECKED			
DATE		APPROVED BY			
01-15-21		JD			

SOIL BORINGS FOR SAMPLES IN THE
 BLOCK BOUND BY DEXTER BLVD,
 WEST GRAND BLVD, GRAND RIVER
 AVE, AND LOTHROP AVE.

CITY OF DETROIT	
CITY ENGINEERING DIVISION	
SURVEY BUREAU	
JOB NO.	01-02
DRWG. NO.	X

TYPICAL MONITORING WELL DIAGRAM



(FOR OFFICE USE ONLY)

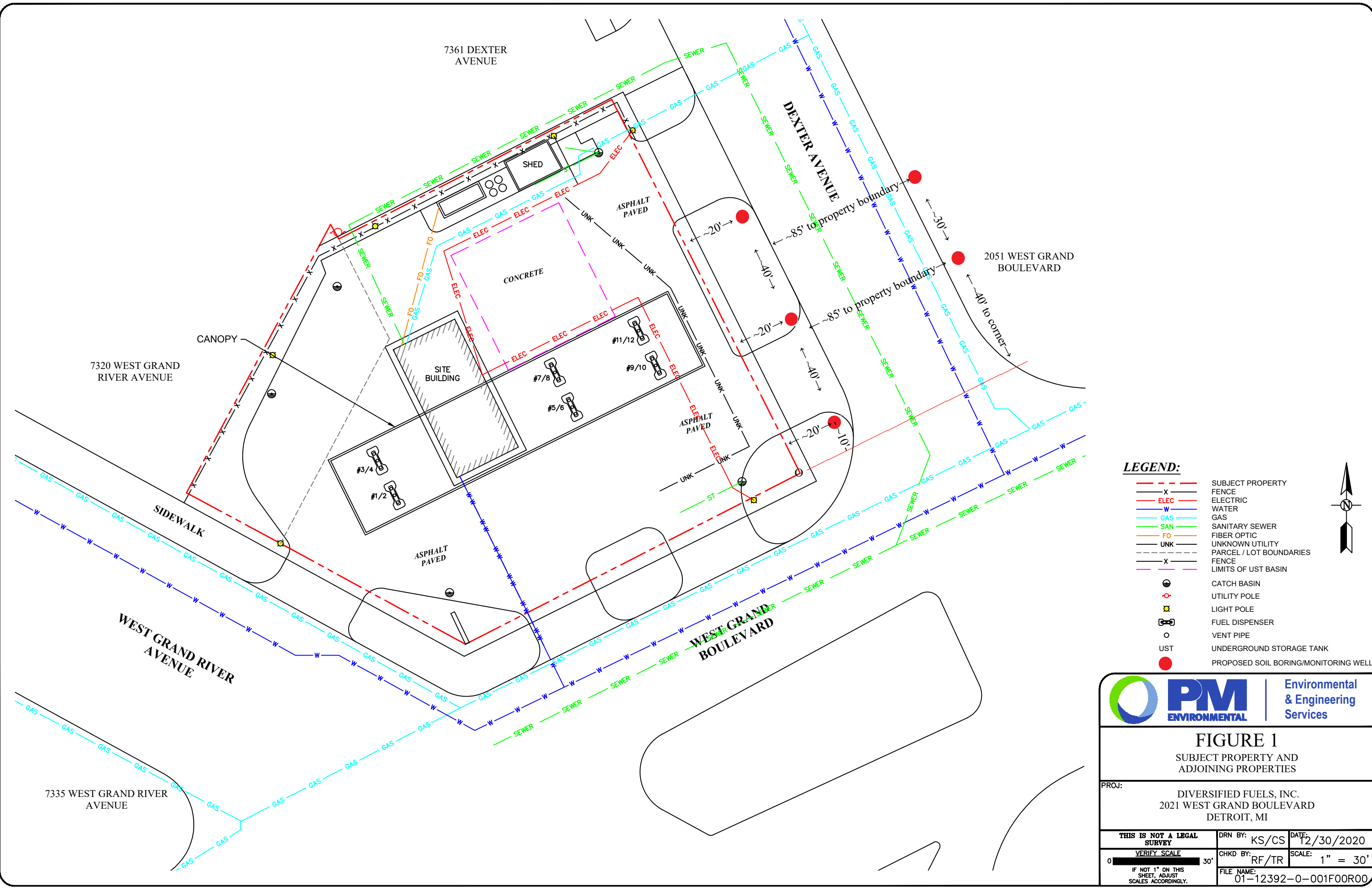
CARTO 21 C

SOIL BORINGS FOR SAMPLES IN THE
 BLOCK BOUND BY DEXTER BLVD,
 WEST GRAND BLVD, GRAND RIVER
 AVE, AND LOTHROP AVE.

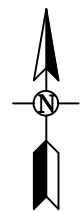
CITY OF DETROIT
 CITY ENGINEERING DIVISION
 SURVEY BUREAU

B					
A					
DESCRIPTION	DRWN	CHKD	APPD	DATE	
REVISIONS					
DRAWN BY	KJ		CHECKED		
DATE	01-15-21		APPROVED BY	JD	

JOB NO. 01-03
 DRWG. NO. X



- LEGEND:**
- SUBJECT PROPERTY
 - X- FENCE
 - ELEC
 - WATER
 - GAS
 - SANITARY SEWER
 - FIBER OPTIC
 - UNK
 - PARCEL / LOT BOUNDARIES
 - X- FENCE
 - LIMITS OF UST BASIN
 - CATCH BASIN
 - UTILITY POLE
 - LIGHT POLE
 - FUEL DISPENSER
 - VENT PIPE
 - UST
 - PROPOSED SOIL BORING/MONITORING WELL



PM Environmental & Engineering Services

FIGURE 1
SUBJECT PROPERTY AND ADJOINING PROPERTIES

PROJ: DIVERSIFIED FUELS, INC.
2021 WEST GRAND BOULEVARD
DETROIT, MI

THIS IS NOT A LEGAL SURVEY	DRN BY: KS/CS	DATE: 12/30/2020
VERIFY SCALE	CHKD BY: RF/TR	SCALE: 1" = 30'
0 IF NOT 1" ON THIS SHEET, ADJUST SCALES ACCORDINGLY.	FILE NAME: 01-12392-0-001F00R00	