

 - SOIL BORING/MONITORING WELL

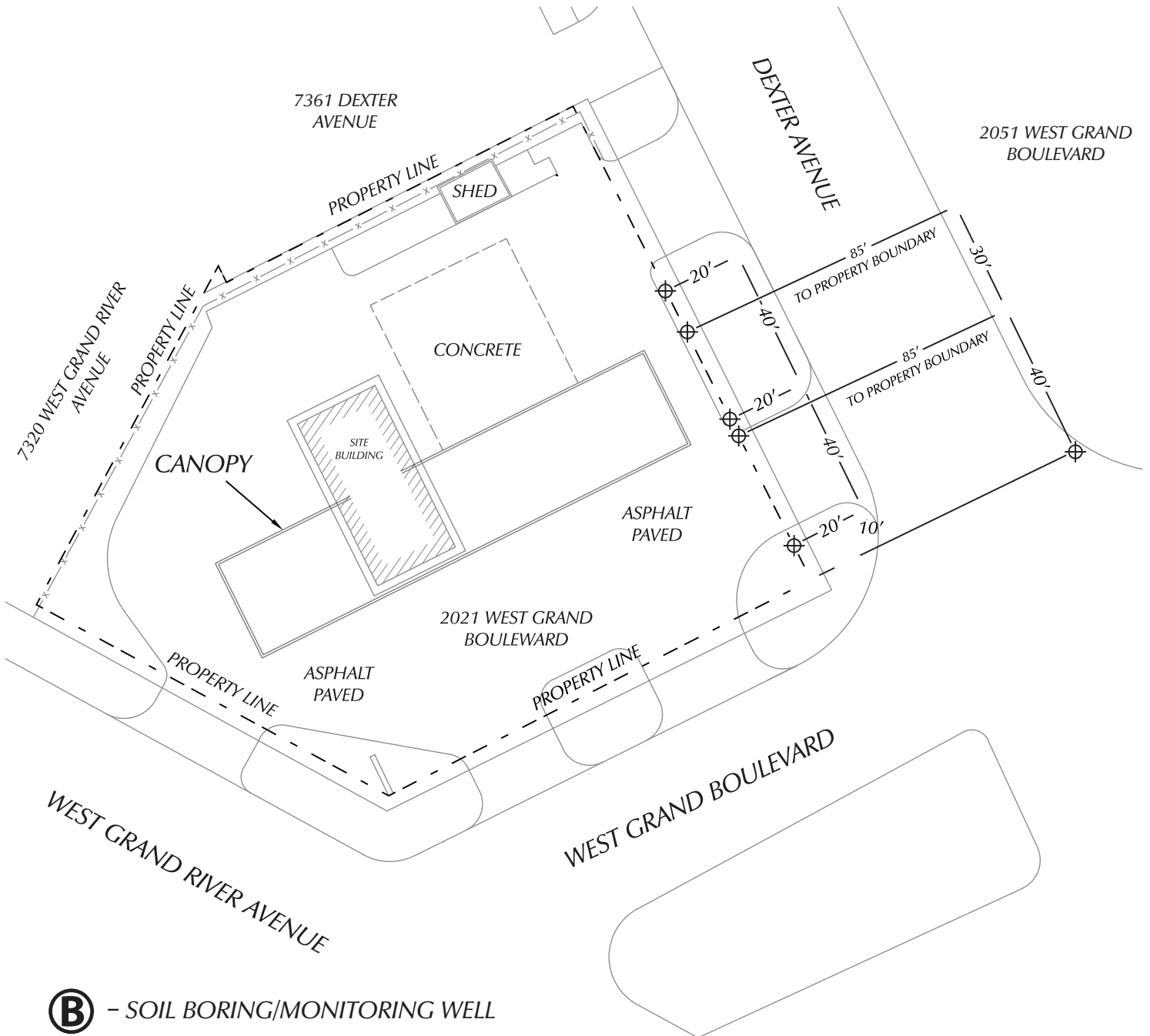
(FOR OFFICE USE ONLY)

CARTO 21 C

B					
	A				
DESCRIPTION		DRWN	CHKD	APPD	DATE
REVISIONS					
DRAWN BY		CHECKED			
DATE		APPROVED BY			
01-15-21		JD			

SOIL BORINGS FOR SAMPLES IN THE
BLOCK BOUND BY DEXTER BLVD,
WEST GRAND BLVD, GRAND RIVER
AVE, AND LOTHROP AVE.

CITY OF DETROIT	
CITY ENGINEERING DIVISION	
SURVEY BUREAU	
JOB NO.	01-01
DRWG. NO.	X



- (B)** - SOIL BORING/MONITORING WELL
- (⊕)** - DISTANCE REFERENCE POINT

(FOR OFFICE USE ONLY)

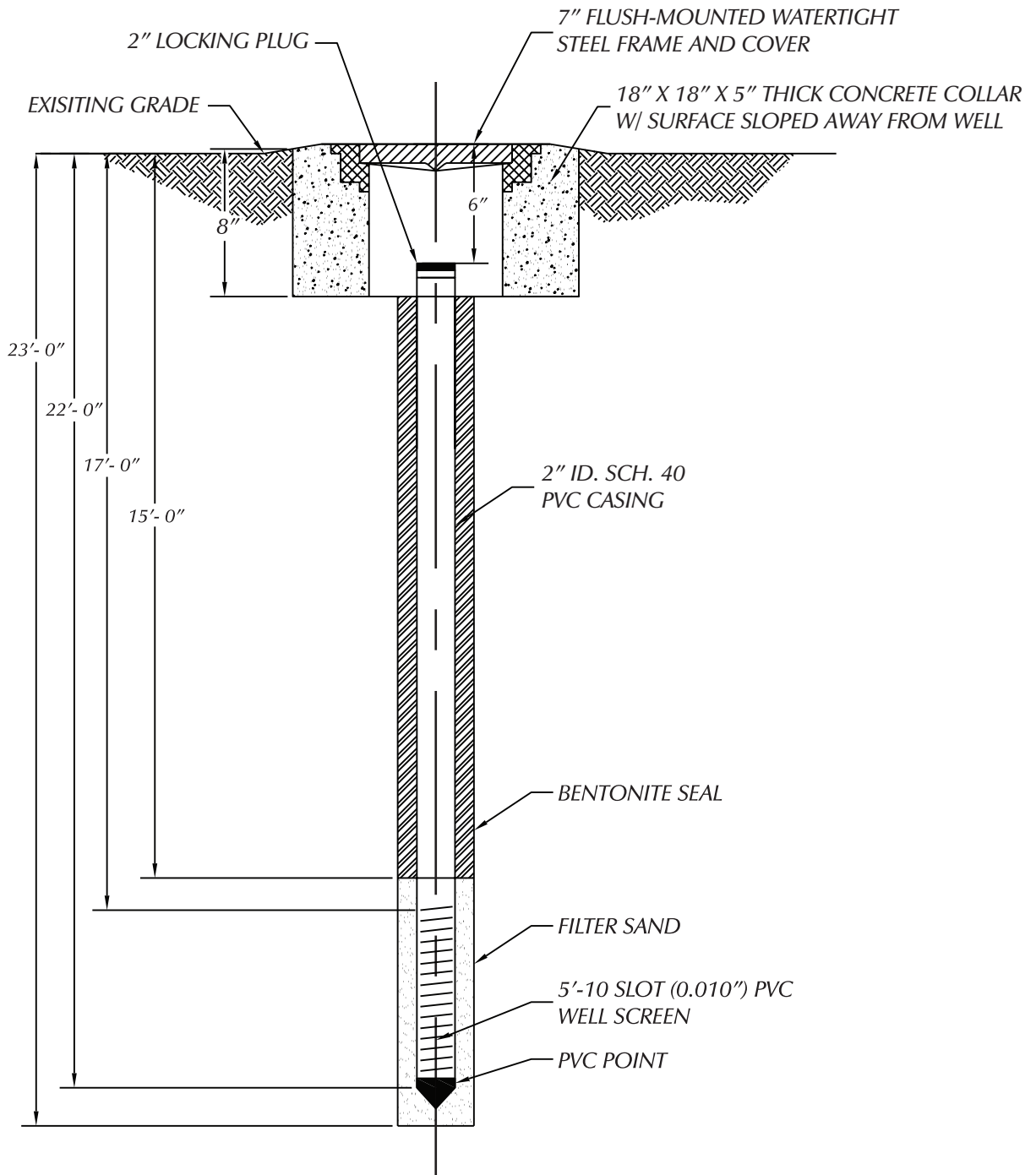
CARTO 21 C

B					
	A				
DESCRIPTION		DRWN	CHKD	APPD	DATE
REVISIONS					
DRAWN BY		CHECKED			
DATE		APPROVED BY			
01-15-21		JD			

SOIL BORINGS FOR SAMPLES IN THE
BLOCK BOUND BY DEXTER BLVD,
WEST GRAND BLVD, GRAND RIVER
AVE, AND LOTHROP AVE.

CITY OF DETROIT	
CITY ENGINEERING DIVISION	
SURVEY BUREAU	
JOB NO.	01-02
DRWG. NO.	X

TYPICAL MONITORING WELL DIAGRAM



(FOR OFFICE USE ONLY)

CARTO 21 C

SOIL BORINGS FOR SAMPLES IN THE
 BLOCK BOUND BY DEXTER BLVD,
 WEST GRAND BLVD, GRAND RIVER
 AVE, AND LOTHROP AVE.

CITY OF DETROIT
 CITY ENGINEERING DIVISION
 SURVEY BUREAU

B					
	A				
DESCRIPTION		DRWN	CHKD	APPD	DATE
REVISIONS					
DRAWN BY	CHECKED				
DATE	APPROVED BY				
01-15-21	JD				

JOB NO. 01-03
 DRWG. NO. X