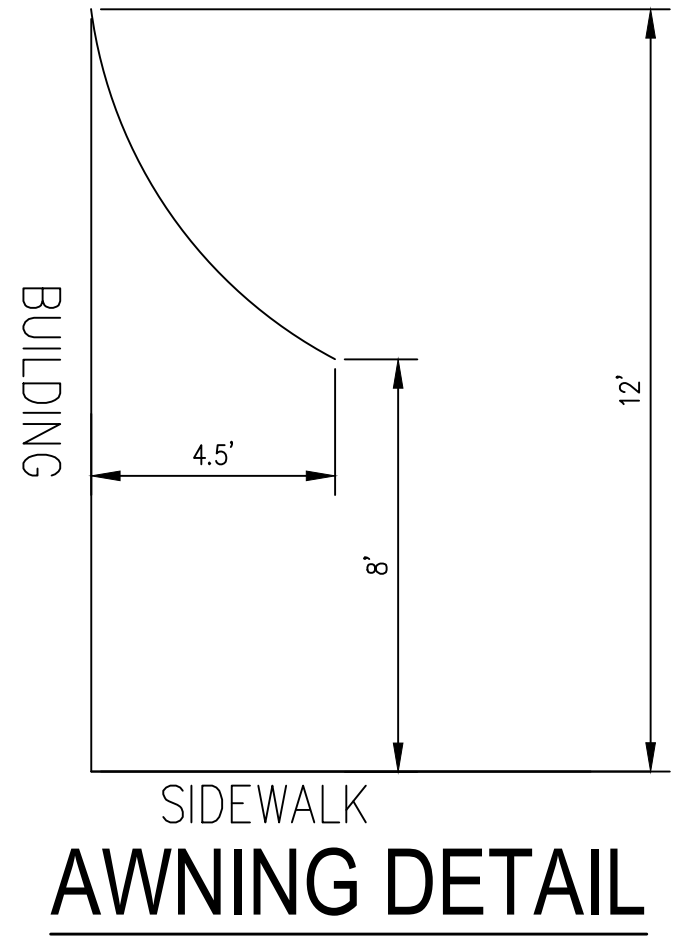
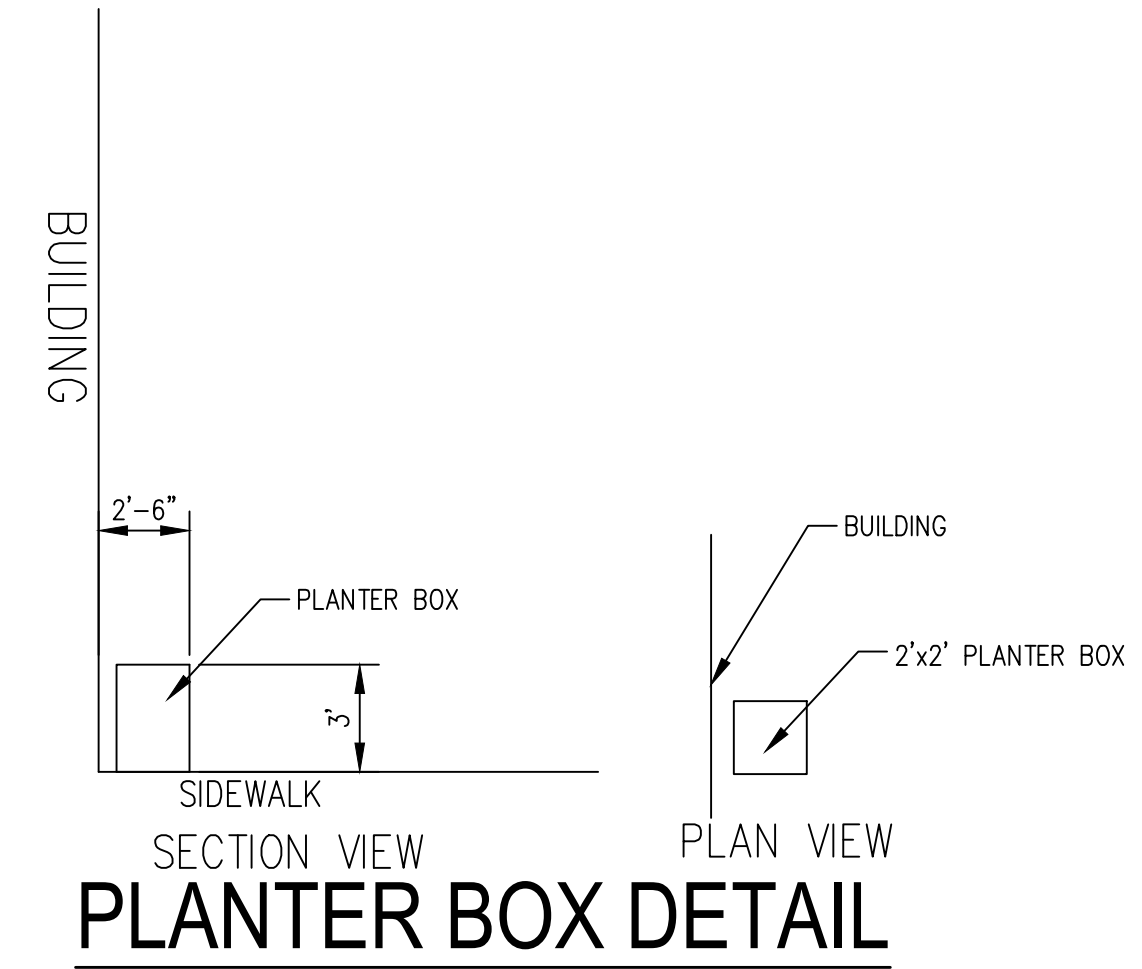
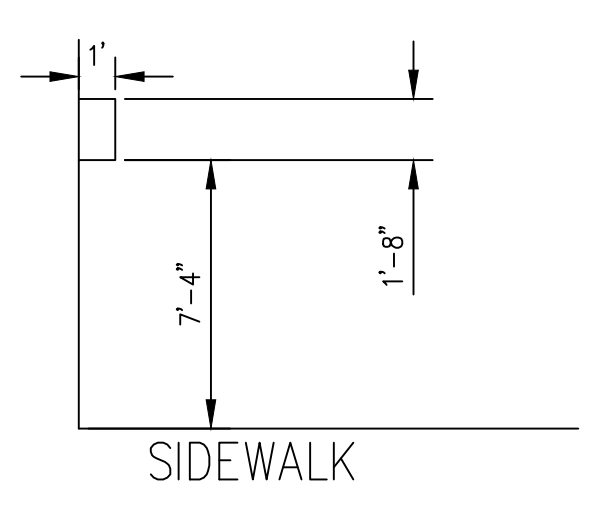


ENCROACHMENT PLAN LEGEND

- WALL SCONCE
- PLANTER BOX

SCONCE DETAIL



DESCRIPTION SITE PLAN APPROVAL SUBMITTAL REVISION FOR ENCROACHMENT PETITION - PERMIT PLANS CITY REVIEW		BY KHW MMB KCC KCC	DATE 03/23/2020 06/17/2020 06/18/2020 08/06/2020	NO. 1 2 3 4	PROJECT NO.: 11860001	BLA BLA	DAR
23225 MERCANTILE ROAD BEACHWOOD, OH 44122 TEL: 216.378.1490 FAX: 216.378.1497		PROJECT DATE: 09/07/2019		DRAWN BY: 11860001		CHECKED BY:	
 TECHNICAL SKILL CREATIVE SPIRIT Mannik Smith GROUP <small>www.MannikSmithGroup.com</small>		PREPARED FOR: INFINITY - ACQUISITIONS, LLC. 42400 GRAND RIVER SUITE 112 DETROIT, MI 48275					
PARK AVENUE BUILDING 2001 PARK AVENUE DETROIT, MI 48226		ENCROACHMENT PLAN					
C6.1							