

APPLICANT



3030 Warrenville Rd, Suite 340
Lisle, IL 60532
www.extenet.com

ARCHITECT/ENGINEER



Verità
TELECOMMUNICATIONS CORPORATION
Verità Telecommunications Corporation
47059 Five Mile Road
Plymouth, MI 48170

REVISIONS:

#	DATE	DESCRIPTION	INT.
2	6/4/2020	PERMITTING	JL
1	3/13/2020	PERMITTING	JL

PROFESSIONAL STAMP

ISSUED FOR PERMITTING

PROJECT NAME:

DE02029B
SE41 ALPHA CABINET

PROJECT LOCATION:

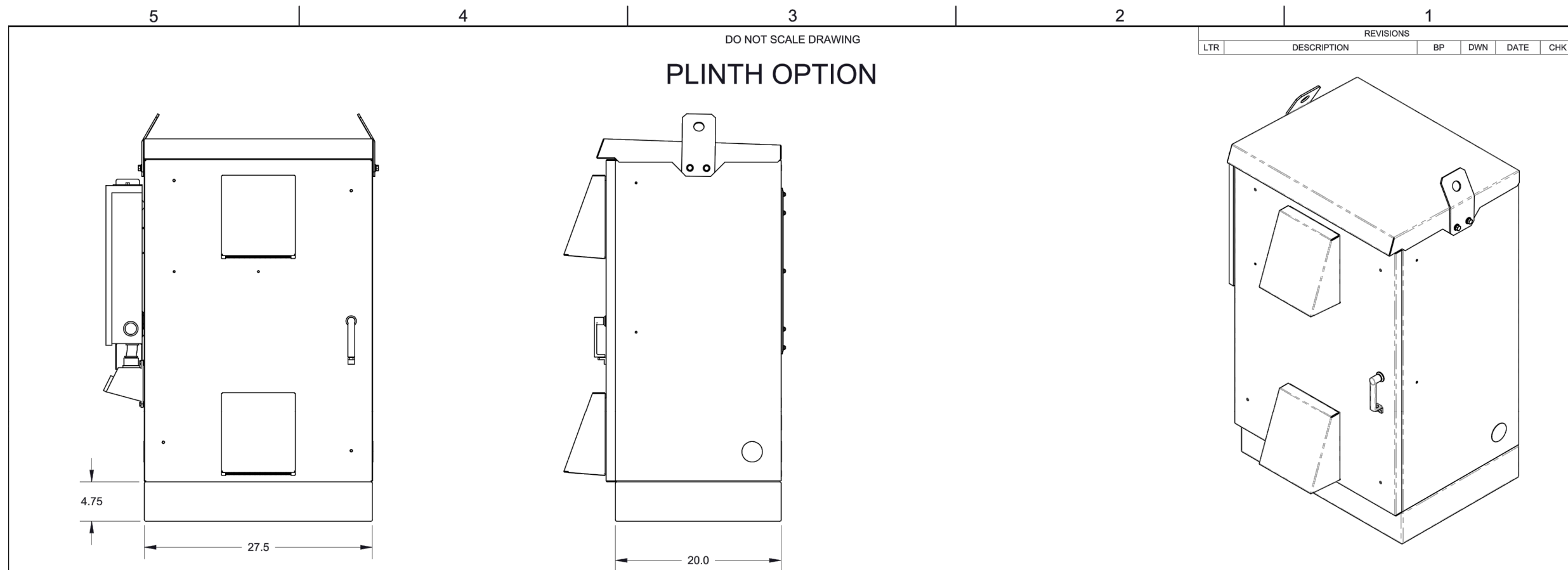
DETROIT MICHIGAN

SHEET TITLE:

**ROUTE PLAN
E MONTCALM ST
& BRUSH ST**

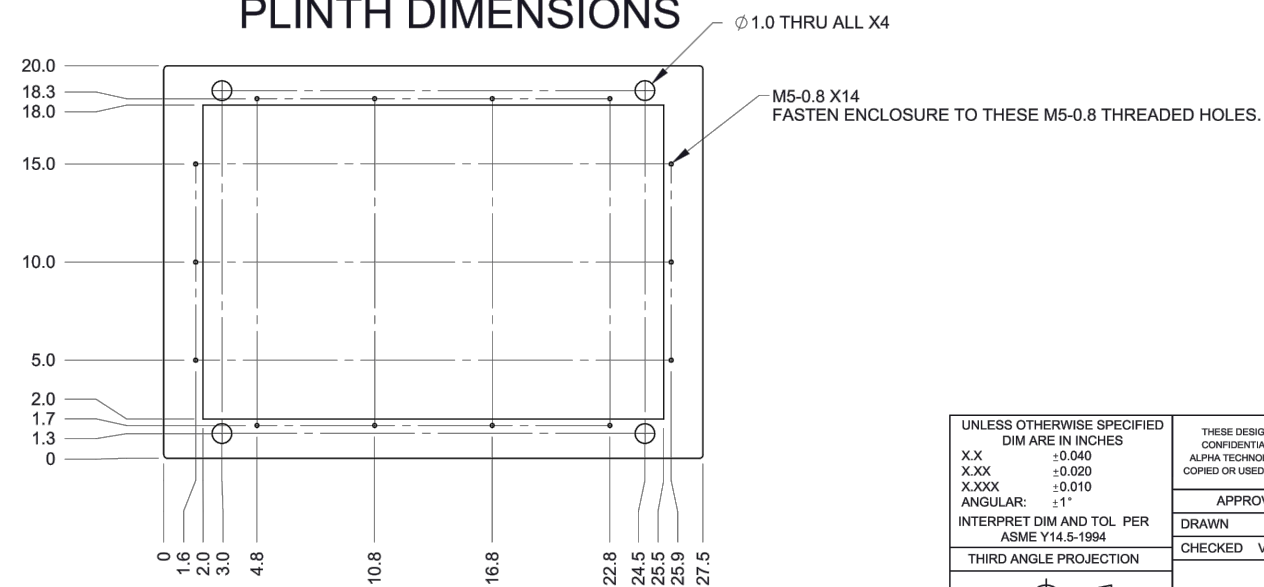
SHEET NUMBER:

D1



REVISIONS					
LTR	DESCRIPTION	BP	DWN	DATE	CHK

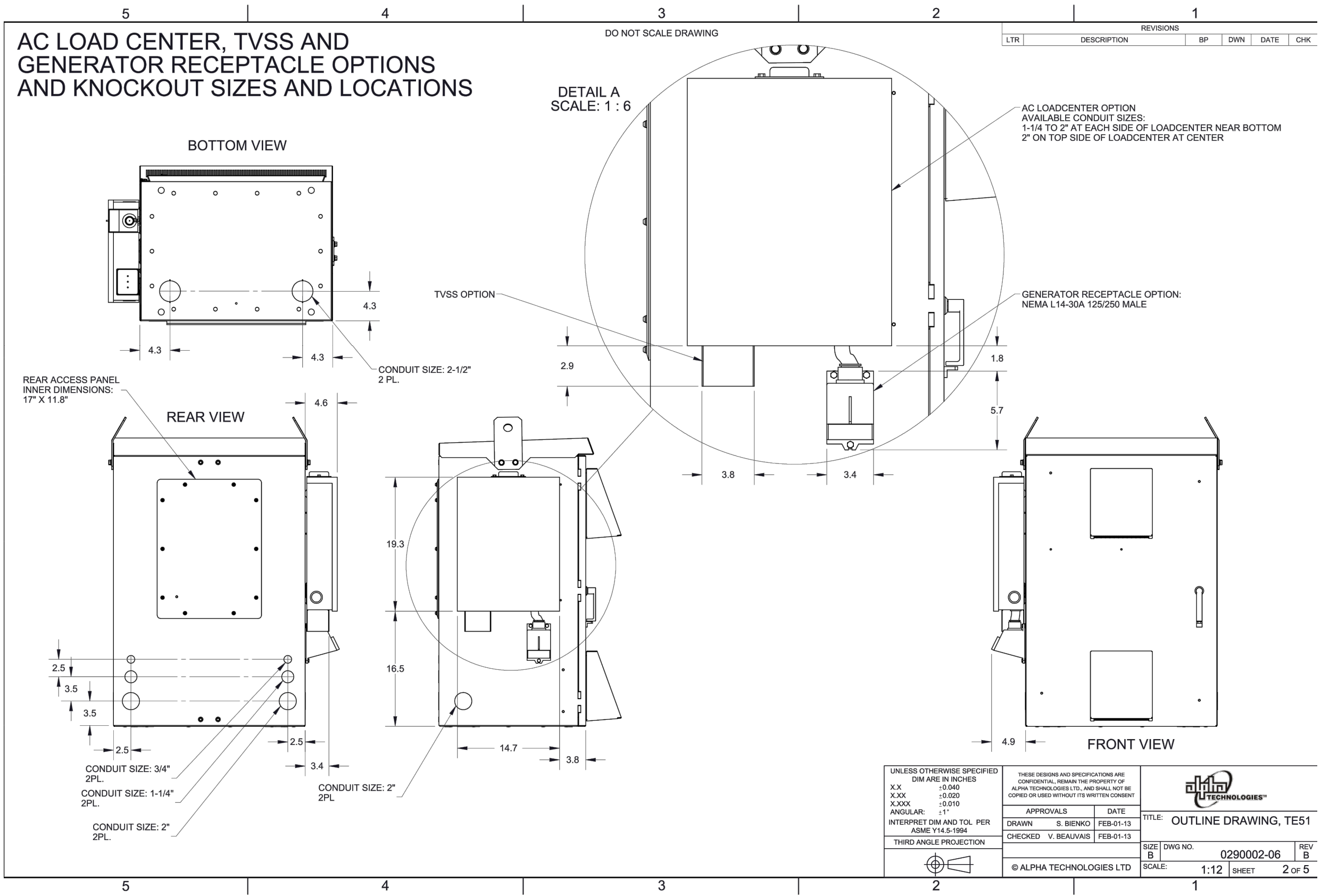
PLINTH DIMENSIONS



NOTE:
1. REMOVAL OF THE BATTERY TRAYS (IF INSTALLED) MAY BE REQUIRED TO MOUNT THE ENCLOSURE TO THE PLINTH.
2. FASTEN ENCLOSURE TO PLINTH WITH PROVIDED M5 SCREWS.

UNLESS OTHERWISE SPECIFIED DIM ARE IN INCHES X.X ±0.040 X.XX ±0.020 X.XXX ±0.010 ANGULAR: ±1° INTERPRET DIM AND TOL PER ASME Y14.5-1994		THIRD ANGLE PROJECTION		THESE DESIGNS AND SPECIFICATIONS ARE CONFIDENTIAL, REMAIN THE PROPERTY OF ALPHA TECHNOLOGIES LTD., AND SHALL NOT BE COPIED OR USED WITHOUT ITS WRITTEN CONSENT			TITLE: OUTLINE DRAWING, TE51	
APPROVALS	DATE	SIZE	DWG NO.	REV				
DRAWN S. BIENKO	FEB-01-13	B	0290002-06	B				
CHECKED V. BEAUVAIS	FEB-01-13	SCALE:	1:12	SHEET	5 OF 5			
© ALPHA TECHNOLOGIES LTD								

AC LOAD CENTER, TVSS AND GENERATOR RECEPTACLE OPTIONS AND KNOCKOUT SIZES AND LOCATIONS



APPLICANT

extenet YOUR NETWORK. EVERYWHERE.
SYSTEMS

3030 Warrenville Rd, Suite 340
Lisle, IL 60532
www.extenet.com

ARCHITECT/ENGINEER

VERITA
TELECOMMUNICATIONS CORPORATION
Verita Telecommunications Corporation
47059 Five Mile Road
Plymouth, MI 48170

REVISIONS:

#	DATE	DESCRIPTION	INT.
2	6/4/2020	PERMITTING	JL
1	3/13/2020	PERMITTING	JL

PROFESSIONAL STAMP

ISSUED FOR PERMITTING

PROJECT NAME:

**DE02029B
SE41 ALPHA CABINET**

PROJECT LOCATION:

DETROIT MICHIGAN

SHEET TITLE:

**ROUTE PLAN
E MONTCALM ST
& BRUSH ST**

SHEET NUMBER:

D2

REVISIONS:

#	DATE	DESCRIPTION	INT.
2	6/4/2020	PERMITTING	JL
1	3/13/2020	PERMITTING	JL

PROFESSIONAL STAMP

ISSUED FOR PERMITTING

PROJECT NAME:
**DE02029B
 SE41 ALPHA CABINET**

PROJECT LOCATION:
DETROIT MICHIGAN

SHEET TITLE:
**ROUTE PLAN
 E MONTCALM ST
 & BRUSH ST**

SHEET NUMBER:
D3

