



PROPRIETARY INFORMATION
 THE INFORMATION CONTAINED IN THIS SET OF CONSTRUCTION DOCUMENTS IS PROPRIETARY BY NATURE. ANY USE OR DISCLOSURE OTHER THAN THAT WHICH RELATES TO CARRIER SERVICES IS STRICTLY PROHIBITED.

NC-MI-DTBUND-TMO
 DEYH006A
 ALPHA CABINET

2 CIVIC CENTER DR, DETROIT, MI 48226

APPLICANT

 3030 Warrenville Rd, Suite 340
 Lisle, IL 60532
 www.extenet.com

ARCHITECT/ENGINEER

Verità
 TELECOMMUNICATIONS CORPORATION
 47059 Five Mile Road
 Plymouth, MI 48170

REVISIONS:

#	DATE	DESCRIPTION	INT.
2	6/10/2020	PERMITTING	JL
1	5/1/2020	PERMITTING	JL

PROFESSIONAL STAMP

ISSUED FOR PERMITTING

PROJECT NAME:
 NC-MI-DTBUND-TMO
 DEYH006A

PROJECT LOCATION:
 20 W ELIZABETH ST
 DETROIT, MI 48201

SHEET TITLE:
 COVER SHEET &
 PROJECT INFORMATION

SHEET NUMBER:

C1

EXTENET PROJECT TEAM

APPLICANT:
 EXTENET SYSTEMS, INC.
 3030 WARRENVILLE ROAD
 SUITE 340
 LISLE, IL 60532
 PHONE: (630) 505-3800
 FAX: (630) 577-1332

ENGINEER/ARCHITECT:
 VERITÀ TELECOMMUNICATIONS CORP.
 47059 FIVE MILE ROAD
 PLYMOUTH, MI 48170
 CONTACT: BENJAMIN REEVE
 PHONE: (740) 403-7012

CONSTRUCTION MANAGER:
 EXTENET SYSTEMS INC.
 CONTACT: BILL VORCE
 PHONE: (248) 882-4360

PROJECT MANAGER:
 EXTENET SYSTEMS INC.
 3030 WARRENVILLE ROAD
 SUITE 340
 LISLE, IL 60532
 CONTACT: KEVIN TROPECK
 PHONE: (724) 312-5174

MUNICIPAL AFFAIRS:
 EXTENET SYSTEMS INC.
 CONTACT: KEITH DAVIDOW
 PHONE: (248) 252-2000

PERMITTING AGENCIES

UTILITY COMPANY:
 DTE ENERGY
 CONTACT: REBECCA PICKLER
 PHONE: (313) 235-8426

CITY OF DETROIT- ENGINEERING:
 2 WOODWARD AVE, SUITE 611
 DETROIT, MI 48226
 CONTACT: STELLA KULANGARA
 PHONE: (313) 224-3935
 STEKUL@DETROITMI.GOV

SHEET INDEX

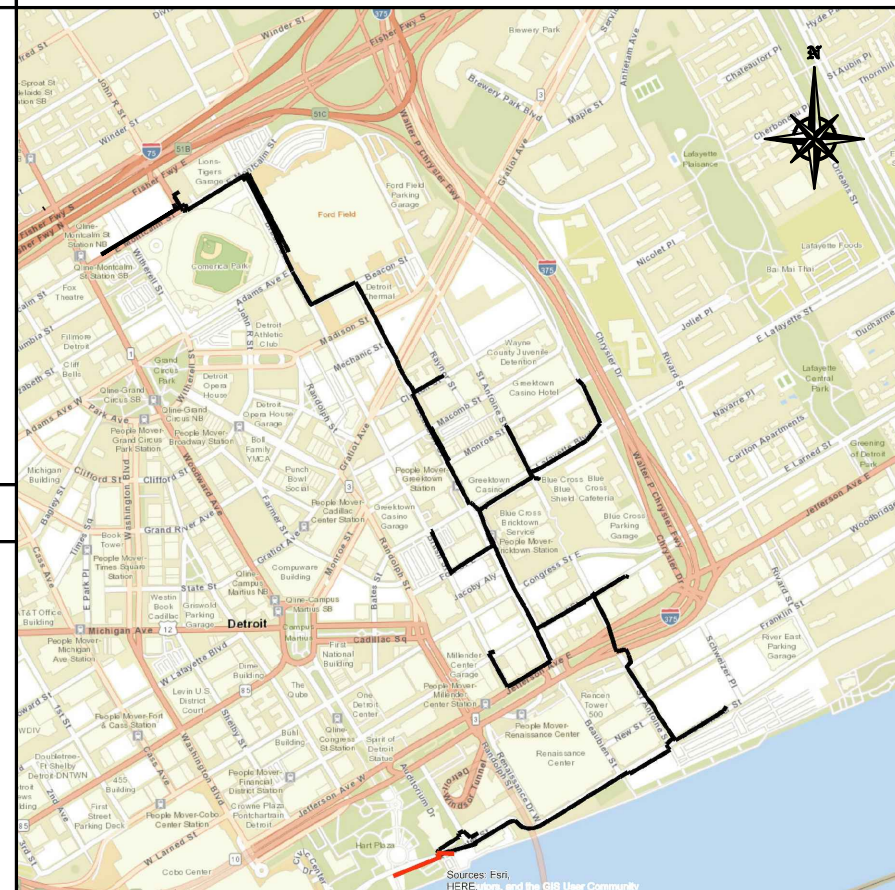
- C1 COVER SHEET & PROJECT INFORMATION
- C2 PROJECT KEY MAP
- L1 GENERAL NOTES ABBREVIATIONS & SYMBOLS
- P1 CIVIC CENTER DR & E ATWATER ST
- D1 GROUND MOUNTED EQUIPMENT DETAILS
- D2 GROUND MOUNTED EQUIPMENT DETAILS
- D3 GROUND MOUNTED EQUIPMENT DETAILS

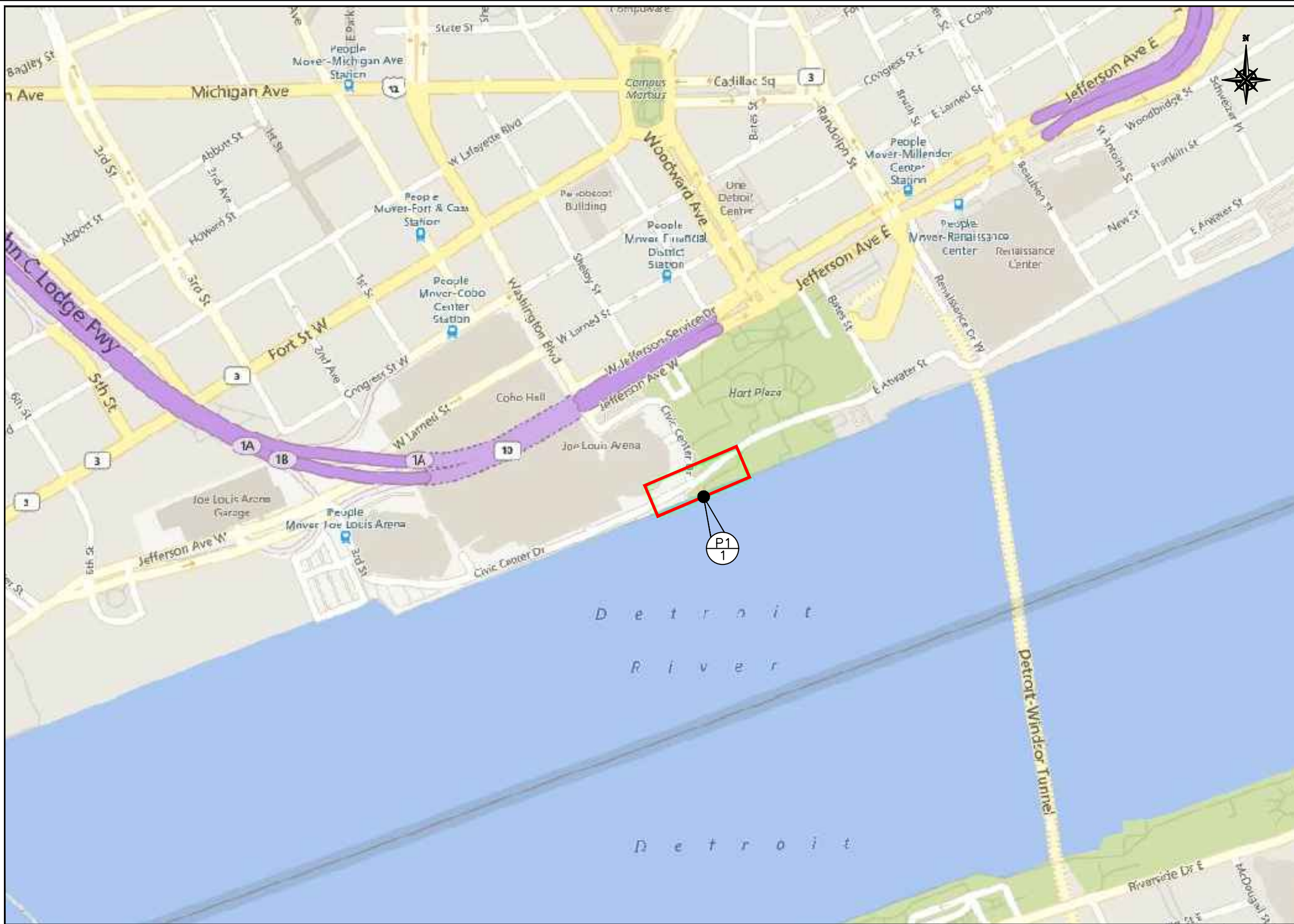
PROJECT DESCRIPTION

THESE DRAWINGS DEPICT A PORTION OF A SMALL CELL SYSTEM TELECOMMUNICATIONS NETWORK, TO BE CONSTRUCTED, OWNED AND OPERATED BY EXTENET SYSTEMS, IN THE PUBLIC RIGHT OF WAY PURSUANT TO AUTHORITY GRANTED BY THE MICHIGAN METRO ACT.

THE MAIN COMPONENTS OF THIS INSTALLATION ARE:
 THE INSTALLATION OF ONE (1) ALPHA SE-41 ELECTRICAL CABINET, ASSOCIATED ELECTRICAL COMPONENTS, AND MOUNTING EQUIPMENT AS REQUIRED.

VICINITY MAP





PROJECT KEY MAP

SCALE
NTS 1

APPLICANT



3030 Warrenville Rd, Suite 340
Lisle, IL 60532
www.extenet.com

ARCHITECT/ENGINEER



Verità
TELECOMMUNICATIONS CORPORATION
Verità Telecommunications Corporation
47059 Five Mile Road
Plymouth, MI 48170

REVISIONS:

#	DATE	DESCRIPTION	INT.
2	6/10/2020	PERMITTING	JL
1	5/1/2020	PERMITTING	JL
#	DATE	DESCRIPTION	INT.

PROFESSIONAL STAMP

ISSUED FOR PERMITTING

PROJECT NAME:

**NC-MI-DTBUND-TMO
DEYH006A**

PROJECT LOCATION:

**20 W ELIZABETH ST
DETROIT, MI 48201**

SHEET TITLE:

PROJECT KEY MAP

SHEET NUMBER:

C2

GENERAL NOTES

- 1. THE CONTRACTOR SHALL BE RESPONSIBLE FOR SURVEY MONUMENTS AND/OR VERTICAL CONTROL BENCHMARKS WHICH ARE DISTURBED OR DESTROYED BY CONSTRUCTION...

SPECIAL NOTES

- 1. INDEMNIFICATION CLAUSE: THE CONTRACTOR AGREES AND SHALL ASSUME SOLE AND COMPLETE RESPONSIBILITY OF THE JOB SITE CONDITIONS DURING THE COURSE OF CONSTRUCTION OF THIS PROJECT...

EROSION AND SEDIMENT CONTROL NOTES

- TEMPORARY EROSION/SEDIMENT CONTROL PRIOR TO COMPLETION OF FINAL IMPROVEMENTS, SHALL BE PERFORMED BY THE CONTRACTOR OR QUALIFIED PERSON AS INDICATED BELOW:

ABBREVIATIONS

Table with 4 columns: Abbreviation (e.g., AL, AGL, AMSL), Full Name (e.g., ALUMINUM ALLOY), and Description (e.g., LEVEL).

CODE COMPLIANCE

- ALL WORK AND MATERIALS SHALL BE PERFORMED AND INSTALLED IN ACCORDANCE WITH THE CURRENT EDITIONS OF THE FOLLOWING CODES AS ADOPTED BY THE LOCAL GOVERNING AUTHORITIES...



GENERAL NOTES

ROW GROUND CONSTRUCTION NOTES:

- 1. 120V POWER REQUIRED FOR 2-WIRE SERVICE.
- 2. GC TO REMOVE/CLEAN ALL DEBRIS, NAILS, STAPLES, OR NON-USED VERTICALS OFF THE POLE.

ROW UTILITY POLE CONSTRUCTION NOTES:

- 1. NO BOLT THREADS TO PROTRUDE MORE THAN 1-1/2".
- 2. FILL ALL HOLES LEFT IN POLE FROM REARRANGEMENT OF CLIMBERS.

Legend table listing symbols and abbreviations for various utilities: GAS, OIL, WATER, STORM, SANITARY, CABLE TV, TELEPHONE, FIBER OPTIC, POWER, OVERHEAD COMM., BUILDING, WATER BODY, WASH/WETLAND, CULVERT, FENCE, BLOCK WALL, GUARDRAIL, ROAD EDGE/CURB, LIP OF GUTTER, DRIVEWAY, SIDEWALK.

Legend table listing symbols and abbreviations for structural and site features: BOUNDARY LINE, RIGHT OF WAY, PROPERTY LINE, RAILROAD, LANE STRIPE, AERIAL NEW BUILD, AERIAL OVERLASH, DIRECTIONAL BORE, OPEN TRENCH, PLOW, STATIONING, VAULT, BORE PIT, BUSH, DECIDUOUS TREE, CONIFEROUS TREE, ELECTRIC SIGN, BIKE RACK, TRASHCAN, POST/MARKER, UNKNOWN MANHOLE, UNKNOWN VAULT, FIBER VAULT.

Legend table listing symbols and abbreviations for manholes and valves: FIBER PED, TELEPHONE MANHOLE, TELEPHONE VAULT, TELEPHONE LARGE PED, TELEPHONE SMALL PED, CATV HAND HOLE, CATV VAULT, CATV LARGE PED, CABLE SMALL PED, SANITARY SEWER MANHOLE, STORM SEWER MANHOLE, STORM CATCH BASIN, WATER BLOW OFF, WATER VALVE, WATER CURB BOX, WATER GATE AND VALVE, WATER MANHOLE, FIRE HYDRANT, WATER VAULT, BACKFLOW VALVE, AIR RELIEF VALVE, WATER WELL MONITOR, PLUG & CAP.

Legend table listing symbols and abbreviations for valves and boxes: PRESSURE REDUCING VALVE, NON-POTABLE VALVE, NON-POTABLE MANHOLE, CATHODIC PROT. TEST, JUNCTION BOX, PULL BOX, SUBSURFACE XFR, PADMOUNTED 3PH XFR, PAD MOUNTED SWITCHING, PAD MOUNTED JUNCTION, PAD MOUNTED SECTIONALIZER, PAD MOUNTED CAPACITOR, PAD MOUNTED BREAK SWITCH, PAD MOUNTED FUSE DISCONNECT, RECTANGLE POWER MANHOLE, LARGE POWER PED, POWER MANHOLE, ELECTRIC CABINET, CROSS WALK POLE, LIGHT POLE SMALL, LIGHT POLE LARGE, LIGHT POLE LARGE DOUBLE, POWER POLE.

Legend table listing symbols and abbreviations for poles and transformers: TRANSFORMER POLE, JOINT POLE, JOINT POLE W/ TRANSFORMER, TELEPHONE POLE, CATV POLE, STEEL POLE, CONCRETE POLE, MIDSPAN CROSSING, TRAFFIC SIGNAL, RISER POLE, POWER METER, TRAFFIC SIGNAL POLE, GAS VALVE, GAS MANHOLE, NORTH ARROW, FIBER, FIBER COUNT, FIBER SPLICE, FIBER MIDSHEATH, FIBER NODE, FIBER HUB, STORAGE LOOP.

ROW CONSTRUCTION GENERAL NOTES

SCALE NTS 2

LEGEND & SYMBOLS

SCALE NTS 1

APPLICANT



3030 Warrenville Rd, Suite 340 Lisle, IL 60532 www.extenet.com

ARCHITECT/ENGINEER



Verita Telecommunications Corporation 47059 Five Mile Road Plymouth, MI 48170

REVISIONS:

Table with 4 columns: #, DATE, DESCRIPTION, INT. Contains two revision entries for permitting.

PROFESSIONAL STAMP

ISSUED FOR PERMITTING

PROJECT NAME:

NC-MI-DTBUND-TMO NC-MI-DTBUND-TMO DEYH006A

PROJECT LOCATION:

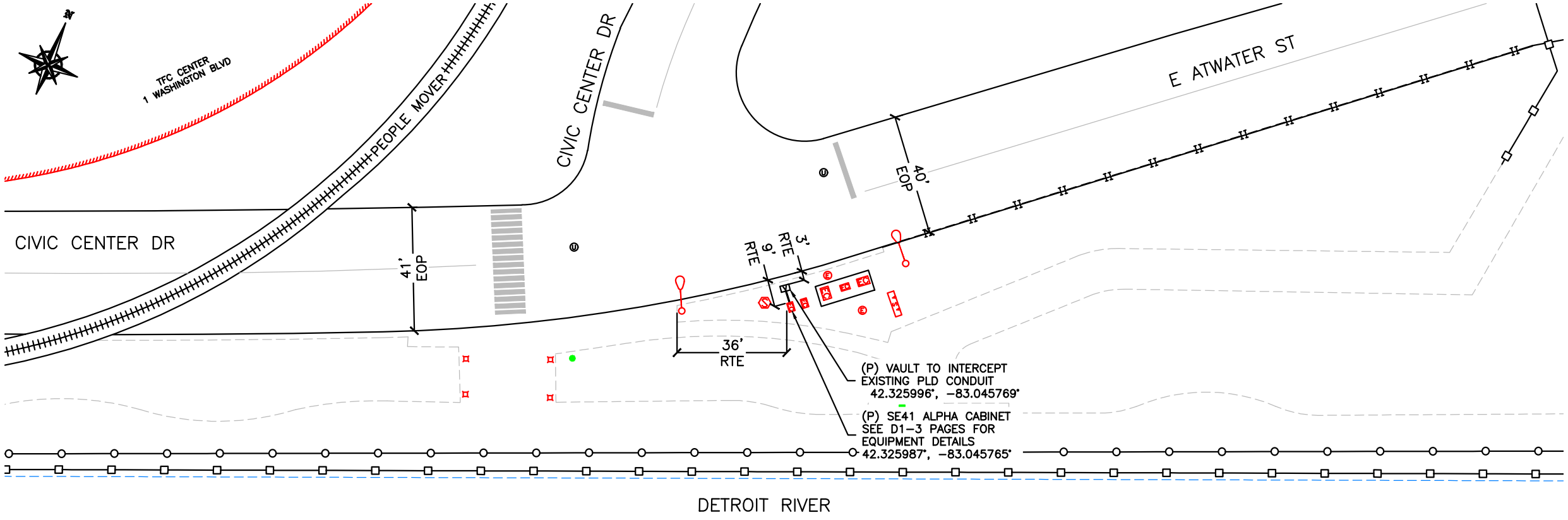
20 W ELIZABETH ST DETROIT, MI 48201

SHEET TITLE:

GENERAL NOTES ABBREVIATIONS & SYMBOLS

SHEET NUMBER:

L1



ROUTE PLAN

0' 10' 20' 40' B-SCALE 1"=40'-0" D-SCALE 1"=20'-0" 1

APPLICANT

extenet YOUR NETWORK. EVERYWHERE.
SYSTEMS
3030 Warrenville Rd, Suite 340
Lisle, IL 60532
www.extenet.com

ARCHITECT/ENGINEER

VERITÀ
TELECOMMUNICATIONS CORPORATION
Verità Telecommunications Corporation
47059 Five Mile Road
Plymouth, MI 48170

REVISIONS:

#	DATE	DESCRIPTION	INT.
2	6/10/2020	PERMITTING	JL
1	5/1/2020	PERMITTING	JL
#	DATE	DESCRIPTION	INT.

PROFESSIONAL STAMP

ISSUED FOR PERMITTING

PROJECT NAME:

NC-MI-DTBUND-TMO DEYH006A

PROJECT LOCATION:

**20 W ELIZABETH ST
DETROIT, MI 48201**

SHEET TITLE:

**ROUTE PLAN
CIVIC CENTER DR
& E ATWATER ST**

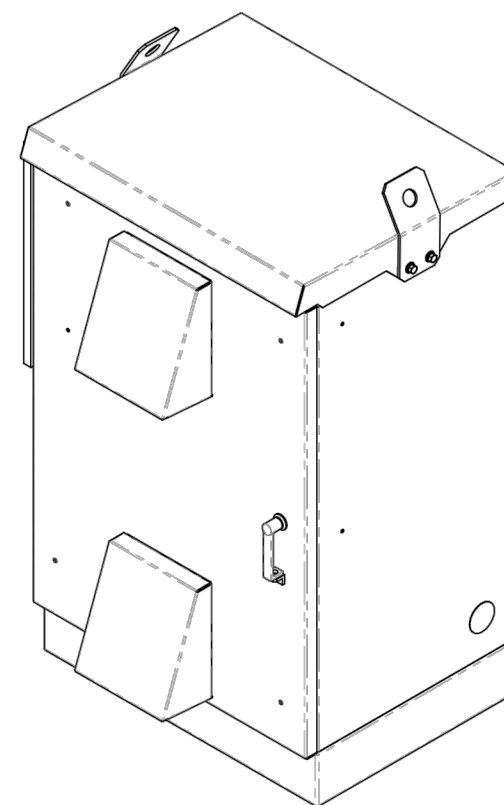
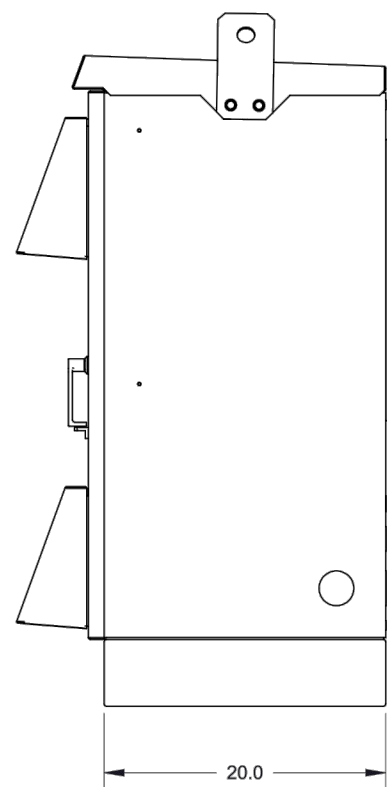
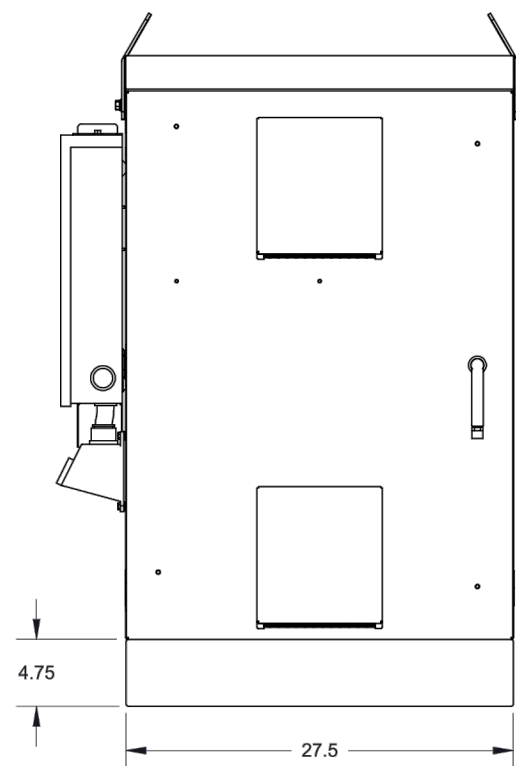
SHEET NUMBER:

P1

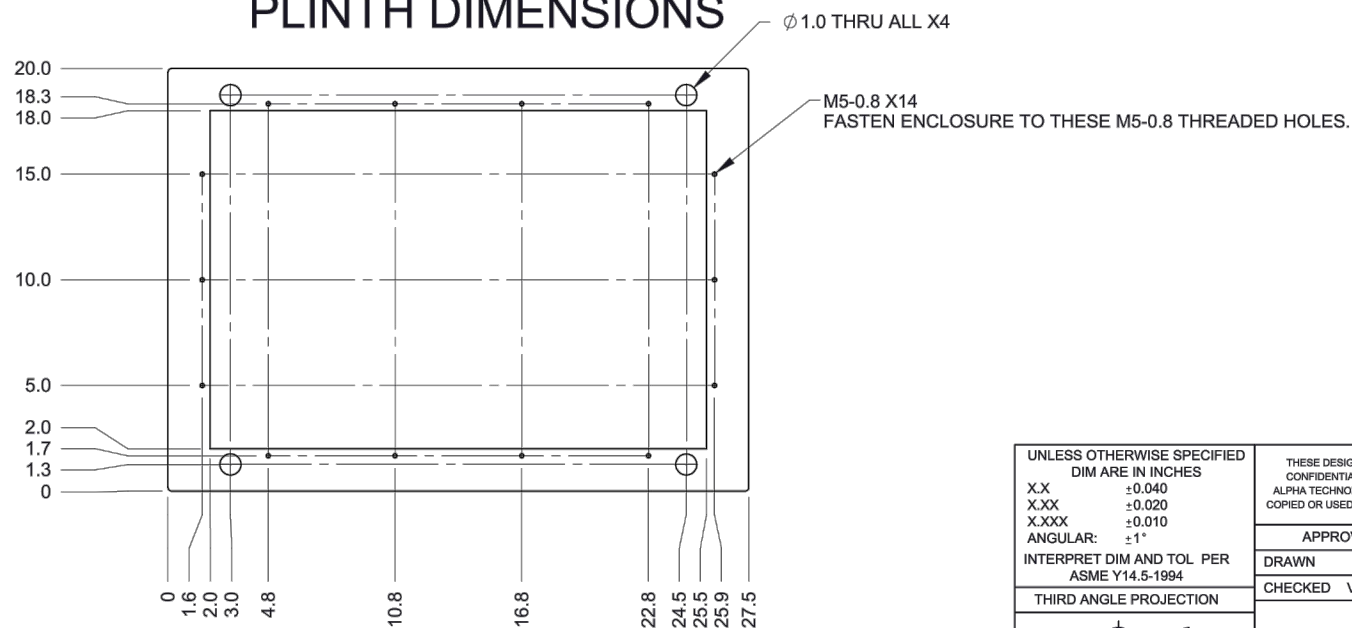
DO NOT SCALE DRAWING

PLINTH OPTION

REVISIONS					
LTR	DESCRIPTION	BP	DWN	DATE	CHK



PLINTH DIMENSIONS



NOTE:
 1. REMOVAL OF THE BATTERY TRAYS (IF INSTALLED) MAY BE REQUIRED TO MOUNT THE ENCLOSURE TO THE PLINTH.
 2. FASTEN ENCLOSURE TO PLINTH WITH PROVIDED M5 SCREWS.

UNLESS OTHERWISE SPECIFIED DIM ARE IN INCHES		THESE DESIGNS AND SPECIFICATIONS ARE CONFIDENTIAL, REMAIN THE PROPERTY OF ALPHA TECHNOLOGIES LTD., AND SHALL NOT BE COPIED OR USED WITHOUT ITS WRITTEN CONSENT			
X.X	±0.040	APPROVALS			
X.XX	±0.020	DRAWN S. BIENKO		FEB-01-13	TITLE: OUTLINE DRAWING, TE51
X.XXX	±0.010	CHECKED V. BEAUVAIS		FEB-01-13	SIZE DWG NO. 0290002-06 REV B
ANGULAR:	±1°	THIRD ANGLE PROJECTION		© ALPHA TECHNOLOGIES LTD	SCALE: 1:12 SHEET 5 OF 5

APPLICANT



3030 Warrenville Rd, Suite 340
 Lisle, IL 60532
 www.extenet.com

ARCHITECT/ENGINEER



VERITÀ
 TELECOMMUNICATIONS CORPORATION
 47059 Five Mile Road
 Plymouth, MI 48170

REVISIONS:

#	DATE	DESCRIPTION	INT.
2	6/10/2020	PERMITTING	JL
1	5/1/2020	PERMITTING	JL

PROFESSIONAL STAMP

ISSUED FOR PERMITTING

PROJECT NAME:

NC-MI-DTBUND-TMO DEYH006A

PROJECT LOCATION:

20 W ELIZABETH ST DETROIT, MI 48201

SHEET TITLE:

GROUND MOUNTED EQUIPMENT DETAILS

SHEET NUMBER:

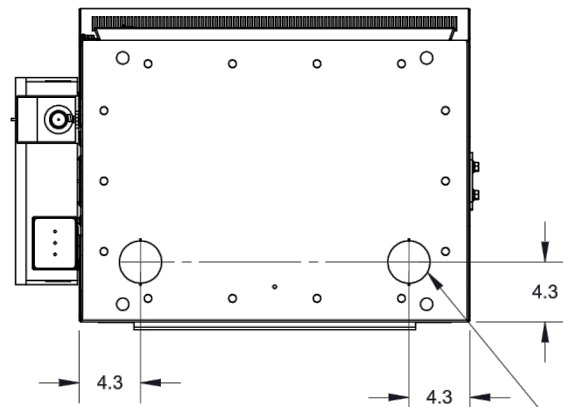
D1

AC LOAD CENTER, TVSS AND GENERATOR RECEPTACLE OPTIONS AND KNOCKOUT SIZES AND LOCATIONS

DO NOT SCALE DRAWING

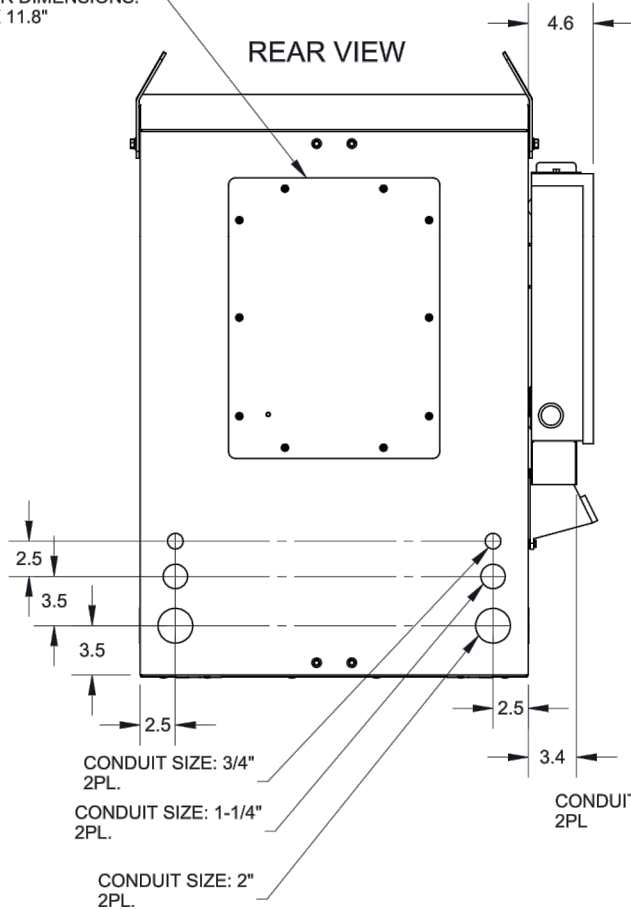
REVISIONS					
LTR	DESCRIPTION	BP	DWN	DATE	CHK

BOTTOM VIEW

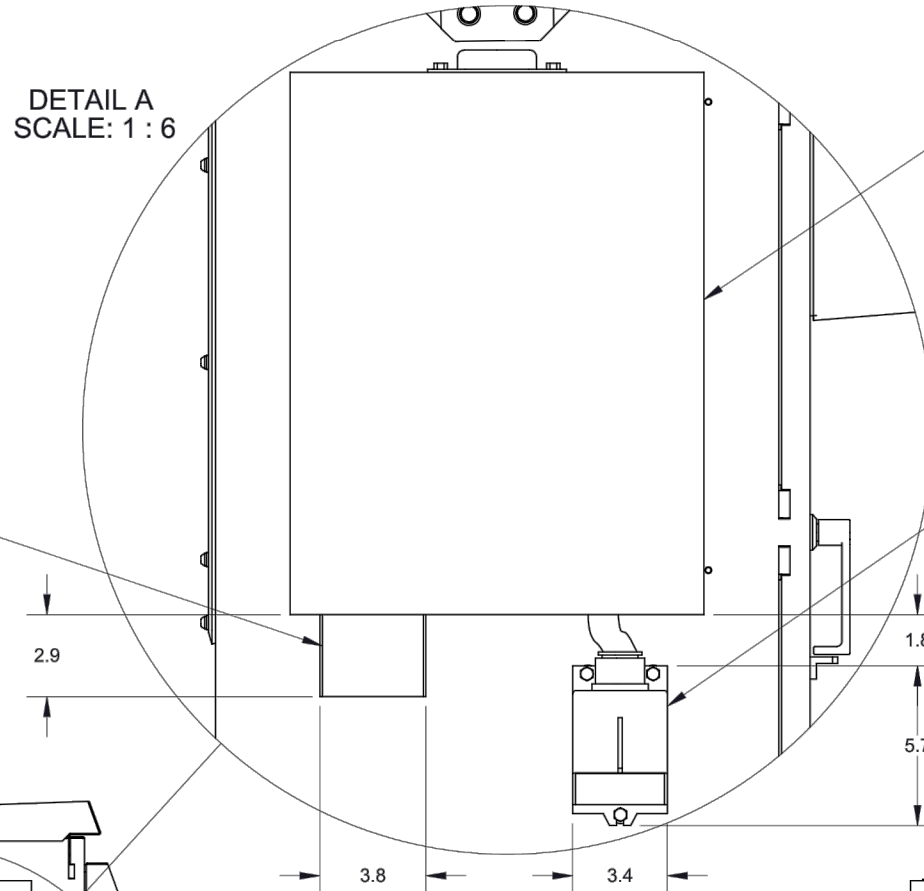


REAR ACCESS PANEL
INNER DIMENSIONS:
17" X 11.8"

REAR VIEW



DETAIL A
SCALE: 1 : 6

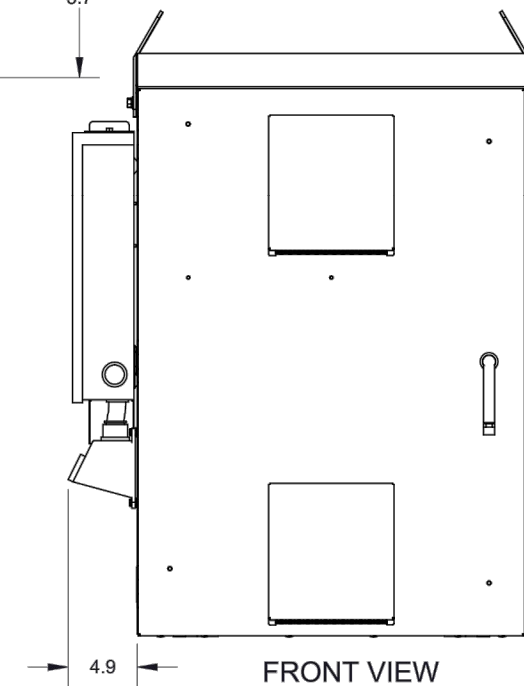
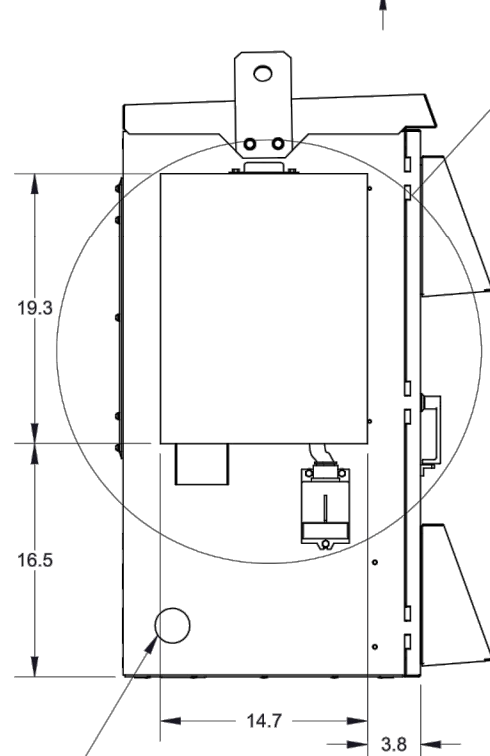


AC LOADCENTER OPTION
AVAILABLE CONDUIT SIZES:
1-1/4 TO 2" AT EACH SIDE OF LOADCENTER NEAR BOTTOM
2" ON TOP SIDE OF LOADCENTER AT CENTER

GENERATOR RECEPTACLE OPTION:
NEMA L14-30A 125/250 MALE

TVSS OPTION

CONDUIT SIZE: 2-1/2"
2 PL.



FRONT VIEW

UNLESS OTHERWISE SPECIFIED DIM ARE IN INCHES X.X ±0.040 X.XX ±0.020 X.XXX ±0.010 ANGULAR: ±1° INTERPRET DIM AND TOL PER ASME Y14.5-1994 THIRD ANGLE PROJECTION	THESE DESIGNS AND SPECIFICATIONS ARE CONFIDENTIAL. REMAIN THE PROPERTY OF ALPHA TECHNOLOGIES LTD., AND SHALL NOT BE COPIED OR USED WITHOUT ITS WRITTEN CONSENT			
	APPROVALS DRAWN S. BIENKO CHECKED V. BEAUVAIS	DATE FEB-01-13 FEB-01-13		
© ALPHA TECHNOLOGIES LTD		REV B		

APPLICANT

extenet YOUR NETWORK. EVERYWHERE.
SYSTEMS
3030 Warrenville Rd, Suite 340
Lisle, IL 60532
www.extenet.com

ARCHITECT/ENGINEER

VERITÀ
TELECOMMUNICATIONS CORPORATION
Verità Telecommunications Corporation
47059 Five Mile Road
Plymouth, MI 48170

REVISIONS:

#	DATE	DESCRIPTION	INT.
2	6/10/2020	PERMITTING	JL
1	5/1/2020	PERMITTING	JL

PROFESSIONAL STAMP

ISSUED FOR PERMITTING

PROJECT NAME:

NC-MI-DTBUND-TMO
DEYH006A

PROJECT LOCATION:

20 W ELIZABETH ST
DETROIT, MI 48201

SHEET TITLE:

GROUND MOUNTED
EQUIPMENT DETAILS

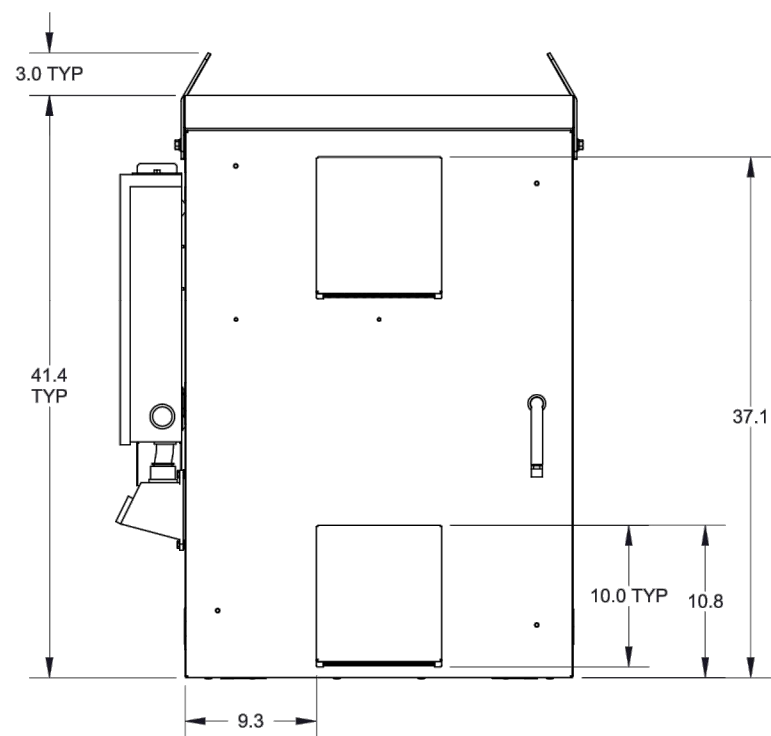
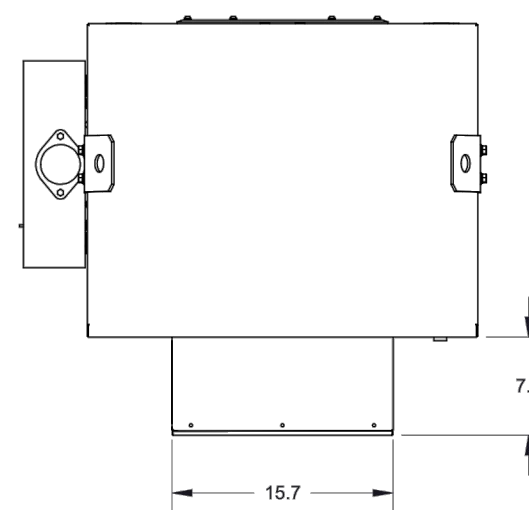
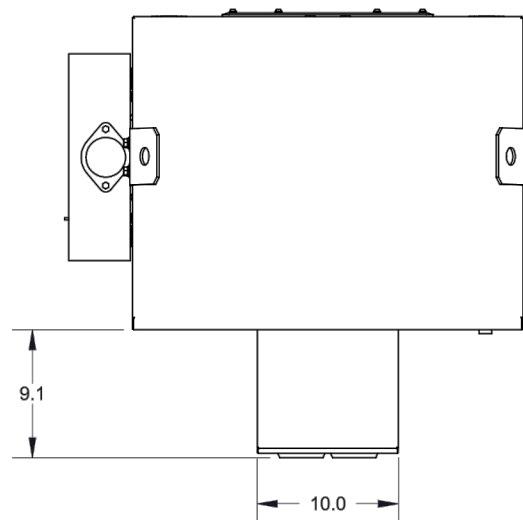
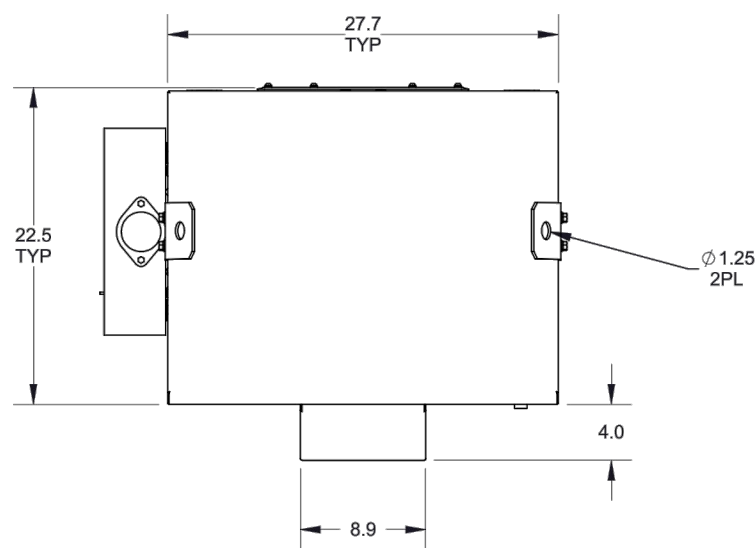
SHEET NUMBER:

D2

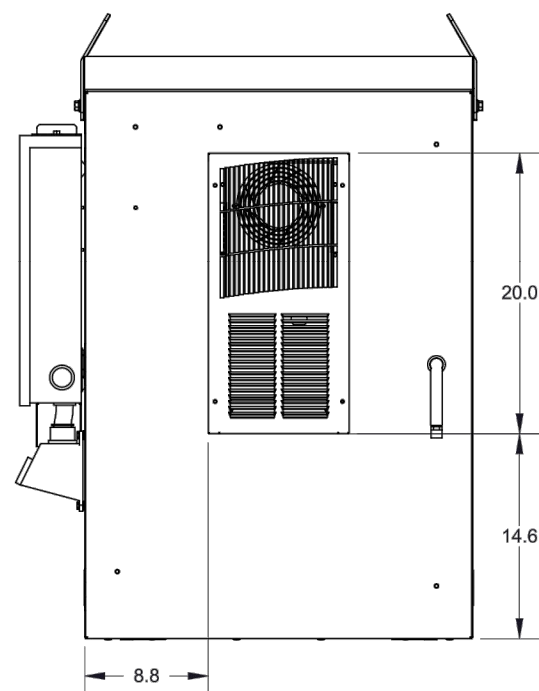
DO NOT SCALE DRAWING

COOLING OPTIONS

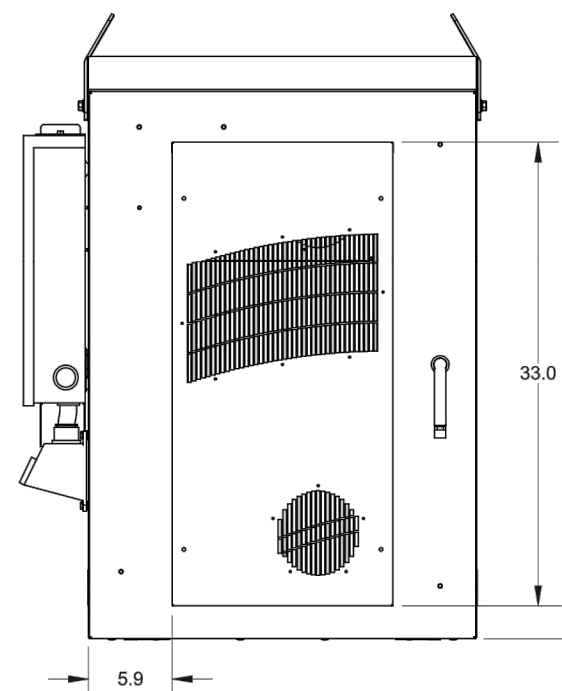
REVISIONS					
LTR	DESCRIPTION	BP	DWN	DATE	CHK
B	ADDED SHEET 5 (PLINTH)		SRB	FEB 2013	VB



FAN COOLING OPTION



AIR CONDITIONER COOLING OPTION



HEAT EXCHANGER COOLING OPTION

UNLESS OTHERWISE SPECIFIED DIM ARE IN INCHES X.X ±0.040 X.XX ±0.020 X.XXX ±0.010 ANGULAR: ±1° INTERPRET DIM AND TOL PER ASME Y14.5-1994 THIRD ANGLE PROJECTION	THESE DESIGNS AND SPECIFICATIONS ARE CONFIDENTIAL, REMAIN THE PROPERTY OF ALPHA TECHNOLOGIES LTD., AND SHALL NOT BE COPIED OR USED WITHOUT ITS WRITTEN CONSENT			
	APPROVALS	DATE		TITLE: OUTLINE DRAWING, TE51
	DRAWN S. BIENKO	FEB-01-13	SIZE DWG NO. 0290002-06	REV B
	CHECKED V. BEAUVAIS	FEB-01-13	SCALE: 1:12 SHEET 1 OF 5	
© ALPHA TECHNOLOGIES LTD				

APPLICANT



3030 Warrenville Rd, Suite 340
Lisle, IL 60532
www.extenet.com

ARCHITECT/ENGINEER



Verità Telecommunications Corporation
47059 Five Mile Road
Plymouth, MI 48170

REVISIONS:

#	DATE	DESCRIPTION	INT.
2	6/10/2020	PERMITTING	JL
1	5/1/2020	PERMITTING	JL

PROFESSIONAL STAMP

ISSUED FOR PERMITTING

PROJECT NAME:

NC-MI-DTBUND-TMO
DEYH006A

PROJECT LOCATION:

20 W ELIZABETH ST
DETROIT, MI 48201

SHEET TITLE:

GROUND MOUNTED
EQUIPMENT DETAILS

SHEET NUMBER:

D3