

**City of Detroit  
City Engineering Division, Department of Public Works  
Survey Bureau**

**NOTICE OF PROPOSED CHANGE IN PROPERTY**

Date: 12/11/2019

Petition: x1148

- |   |  |
|---|--|
| <input type="checkbox"/> AT&T Telecommunication                       | <input type="checkbox"/> Berm Use                |
| <input type="checkbox"/> Comcast Television (CATV)                    | <input type="checkbox"/> Conversion to Easement  |
| <input type="checkbox"/> Detroit Edison (DTE)                         | <input type="checkbox"/> Dedication              |
| <input type="checkbox"/> Fire Department                              | <input checked="" type="checkbox"/> Encroachment |
| <input type="checkbox"/> Great Lakes Water Authority                  | <input type="checkbox"/> Outright Vacation       |
| <input type="checkbox"/> Land Bank Authority                          | <input type="checkbox"/> Temporary Closing       |
| <input type="checkbox"/> Michcon (DTE)                                |  |
| <input checked="" type="checkbox"/> Planning & Development Department |  |
| <input type="checkbox"/> Public Lighting Authority                    |  |
| <input type="checkbox"/> Public Lighting Department                   |  |
| <input type="checkbox"/> Police Department                            |  |
| <input type="checkbox"/> Solid Waste Division, DPW                    |  |
| <input type="checkbox"/> Street Design Bureau, DPW                    |  |
| <input type="checkbox"/> Street Maintenance Division, DPW             |  |
| <input type="checkbox"/> Traffic Engineering Division, DPW            |  |
| <input type="checkbox"/> Water and Sewerage Department                |  |
| <input type="checkbox"/> _____  |  |

A petition drawing is attached. Property shown on the attached print is proposed to be changed as indicated. Kindly report (using the back of this sheet) the nature of your services, if any affected by the proposed change and the estimated costs of removing and rerouting such services (if necessary).

Please return one copy to City Engineering Division, DPW within two weeks of the submittal date. Retain one copy and print for you file.

Ron Brundidge, Director, Department of Public Works

By: Richard Doherty, CED DPW  
City Engineer

**TO: City Engineering Division, DPW  
2 Woodward Ave., Suite 642  
Detroit, Michigan 48226-3462  
Survey Bureau: 313-224-3970**

**Petition: x1148**

The proposed change in property (referred to on the other side of this sheet) would affect our services as follows:

- Not Involved
  
- Involved; but asking you to hold action on this petition until further notice.
  
- Involved; but no objections to the property change.
  
- Involved; objection to the property change.  
P&DD-HDC staff review and approval required for any changes to approved plans.  
Vestibule on Second Ave. is not included in plans preliminarily approved by the HDC.
  
- Involved; but no objections to the property change...provided as easement of the full width of the public right-of-way (street, alley or other public place) is reserved.
  
- Involved; the nature of our services and the estimated costs of removing and/or rerouting such services are:

City of Detroit-Planning & Development Department  
(Utility or City Department)

By 

Greg Moots-Lead Planner-Office of Zoning Innovation  
Title

Dec 19, 19  
Date

313-224-1358  
Area code – Telephone number

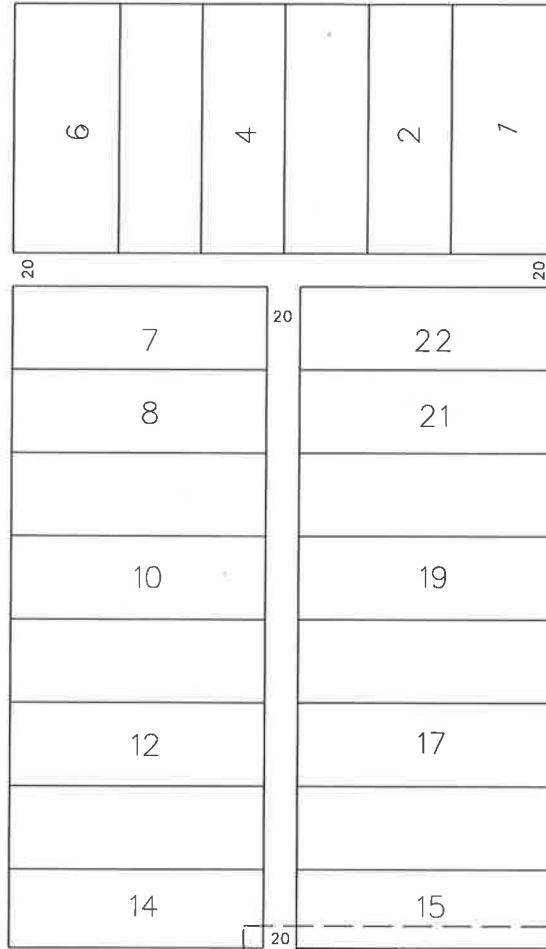
PETITION NO. 1148  
 HEIRLOOM HOSPITALITY GROUP  
 C/O PARKSTON DEVELOPMENT PARTNERS  
 28 W ADAMS AVE. SUITE 1300  
 DETROIT, MICHIGAN 48226  
 JANELLE BULAT  
 PHONE NO. (313) 636-1518



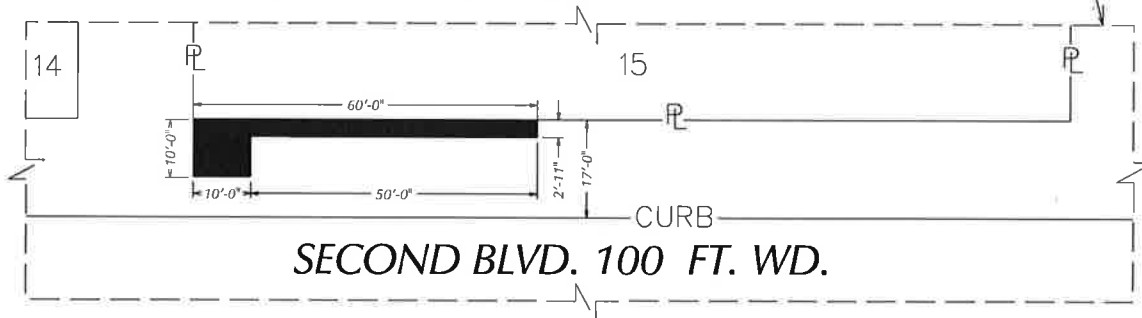
CASS AVE. 80 FT. WD

WILLIS AVE. 100 FT. WD.

ALEXANDRINE AVE. 100 FT. WD.



SECOND BLVD. 100 FT. WD.



 - REQUEST ENCROACHMENT

(FOR OFFICE USE ONLY)

CARTO 30 E

B					
A					
DESCRIPTION	DRWN	CHKD	APPD	DATE	
REVISIONS					
DRAWN BY	SA	CHECKED	KSM		
DATE	12-11-19	APPROVED			

REQUEST ENCROACHMENT  
 INTO SECOND AVE.  
 AT 4128 SECOND AVE.

CITY OF DETROIT CITY ENGINEERING DIVISION SURVEY BUREAU	
JOB NO.	01-01
DRWG. NO.	X 1148