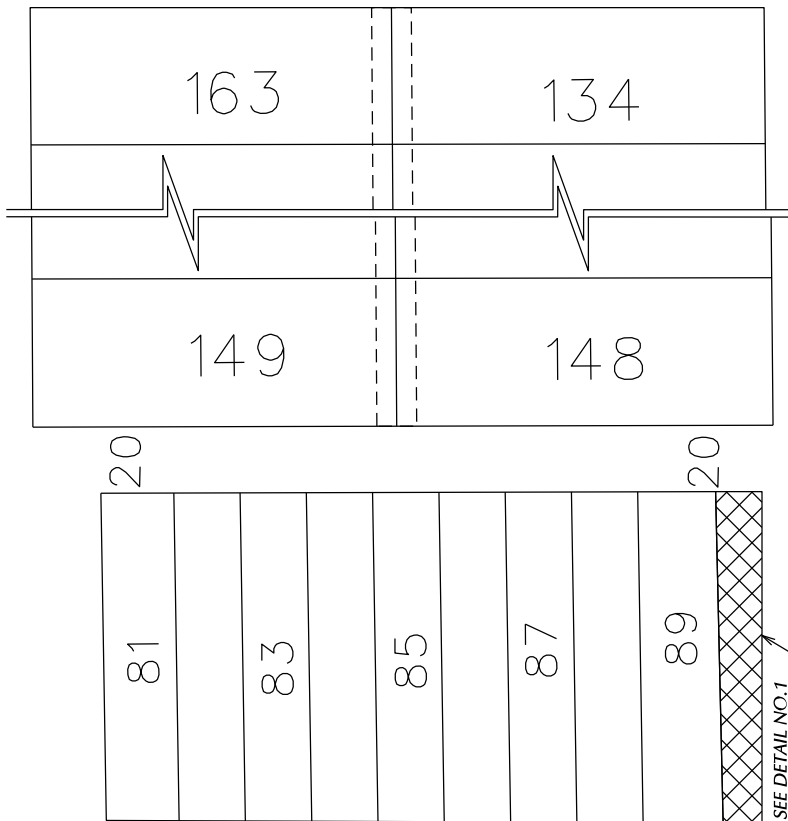


PETITION NO. 451
 PERFECT CLEANERS & SHIRT LAUNDRY
 19500 W. MCNICHOLS
 DETROIT, MICHIGAN 48219
 GARY HEFLIN
 PHONE NO. (734) 546-6500

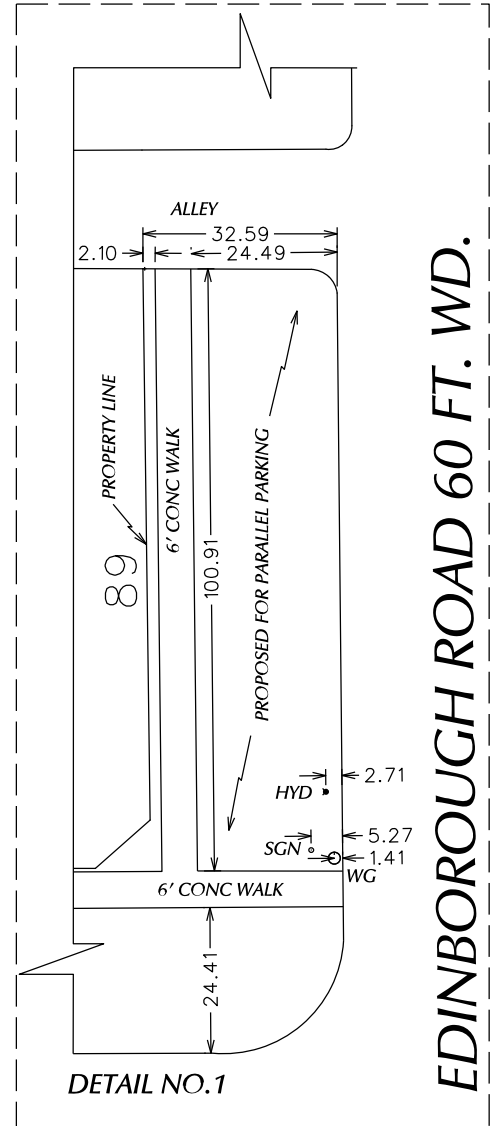


SANTA MARIA AVE. 50 FT. WD.

ANNCHESTER ROAD 60 FT. WD.



EDINBOROUGH ROAD 60 FT. WD.



EDINBOROUGH ROAD 60 FT. WD.

W. MCNICHOLS ROAD 96 FT. WD.



- REQUEST BERM USE
 (FOR PARALLEL PARKING)

UTILITIES LEGEND	
SYMBOL	DESCRIPTION
HYD	FIRE HYDRANT
SGN	SIGN POST
WG	WATER GATE

(FOR OFFICE USE ONLY)

CARTO 114 F

B					
A					
DESCRIPTION	DRWN	CHKD	APPD	DATE	
REVISIONS					
DRAWN BY	SA	CHECKED	KSM		
DATE	12-18-18	APPROVED			

REQUEST BERM USE
 (FOR PARALLEL PARKING)
 INTO EDINBOROUGH ROAD
 AT 19500 W. MCNICHOLS ROAD

CITY OF DETROIT CITY ENGINEERING DIVISION SURVEY BUREAU	
JOB NO.	01-01
DRWG. NO.	X 451