

TO: City Engineering Division, DPW
2 Woodward Ave., suite 642
Detroit, Michigan 48226-3462
Survey Bureau: 313-224-3970

Petition No. 0349

- () Involved; but asking you to hold action on this petition until further notice.
- () Involved; but no objections to the property change – provided an easement of the full width of the public right-of-way (street, alley or other public place) is reserved.
- () Involved; the nature of our services, and the estimated costs of removing and/or rerouting such services are:
- (x) Involved; have no objection to the request to encroachment into Cass at 4710 Cass Ave (Midtown Shangri-LA) (with outdoor seating and canopies) for property located at as shown on proposed plan provided that a minimum 6 ft wide clear sidewalk shall be maintained for pedestrian traffic in front of the outdoor seating area at all times.

Traffic Engineering Division - DPW
(Utility or City Department)

Ashok Patel
By

Sunny Jacob

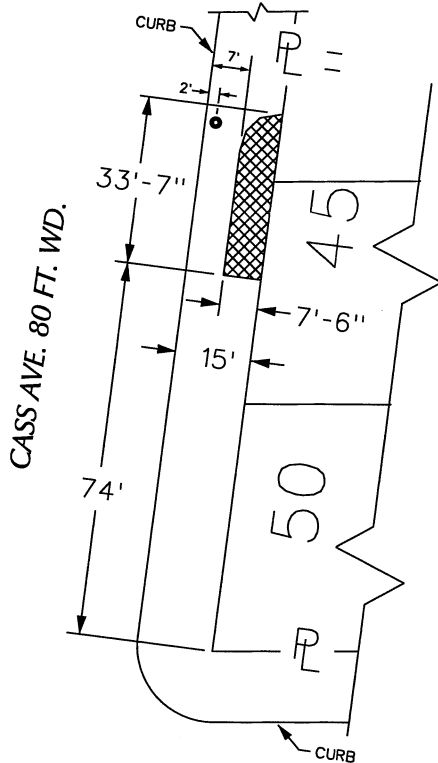
City Traffic Engineer
Title

September 19, 2018
Date

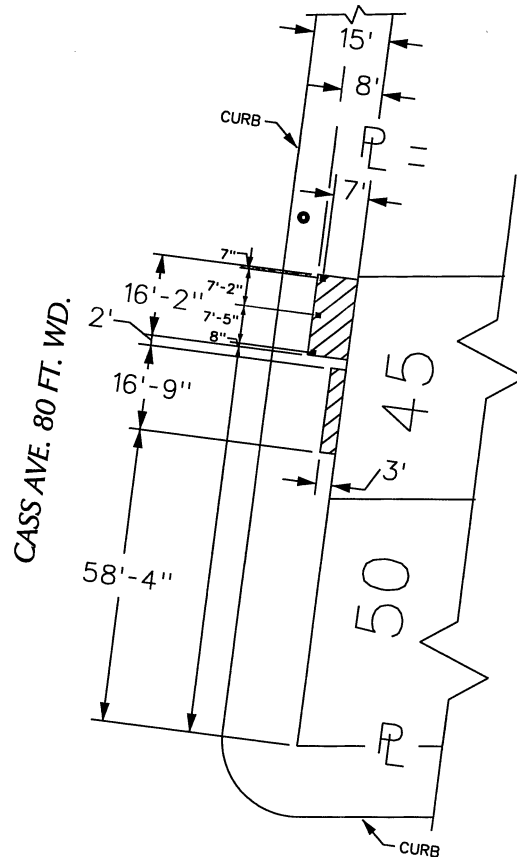
313 224-1610
Area code-Telephone number

JL/jl

PETITION NO. 349
 CHOLADA CHAN
 4710 CASS AVE.
 DETROIT, MICHIGAN 48201
 C/O ERIC CHUA
 PHONE NO. 248 880-6833



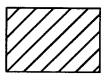
FOREST AVE. 70 FT. WD.



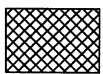
FOREST AVE. 70 FT. WD.

HANCOCK AVE. 70 FT. WD.

- Steel Tube
- Light pole



- REQUEST ENCROACHMENT
 (At Grade to 8 Feet)



- REQUEST ENCROACHMENT
 (With Outdoor Seating)

CASS AVE. 80 FT. WD.

45	50	45	41.60	40	H	154.24	15	30	"	"	"	"	"	30	15	44	161.77	43
"	"	"	"	"	G	"	167	52	"	50	48	46	"	44	"	"	"	"
"	"	"	"	"	F	"	20	"	"	"	"	"	"	20	167	44	"	"
"	"	"	"	"	E	"	"	"	"	"	"	"	"	"	"	"	"	"
"	"	"	"	"	D	"	"	"	"	"	"	"	"	"	"	"	"	"
"	"	"	"	"	C	"	"	"	"	"	"	"	"	"	"	"	"	"
"	"	"	"	"	B	"	"	"	"	"	"	"	"	"	"	"	"	"
"	"	"	"	"	A	"	"	"	"	"	"	"	"	"	"	"	"	"
197.26	15	30	"	"	"	"	"	"	"	"	"	"	"	30	15	44	140.22	36
																	37.87	
																	6.21	22.04

FOREST AVE. 70 FT. WD.

WOODWARD AVE. 120 FT. WD.

(FOR OFFICE USE ONLY)

CARTO 30 E

B					
A					
DESCRIPTION	DRWN	CHKD	APPD	DATE	
REVISIONS					
DRAWN BY	WLW	CHECKED	KSM		
DATE	07-30-18	APPROVED			

REQUEST ENCROACHMENT
 INTO CASS
 AT 4710 CASS AVE.
 (With Outdoor Seating and Canopies)

CITY OF DETROIT	
CITY ENGINEERING DEPARTMENT	
SURVEY BUREAU	
JOB NO.	01-01
DRWG. NO.	X 349