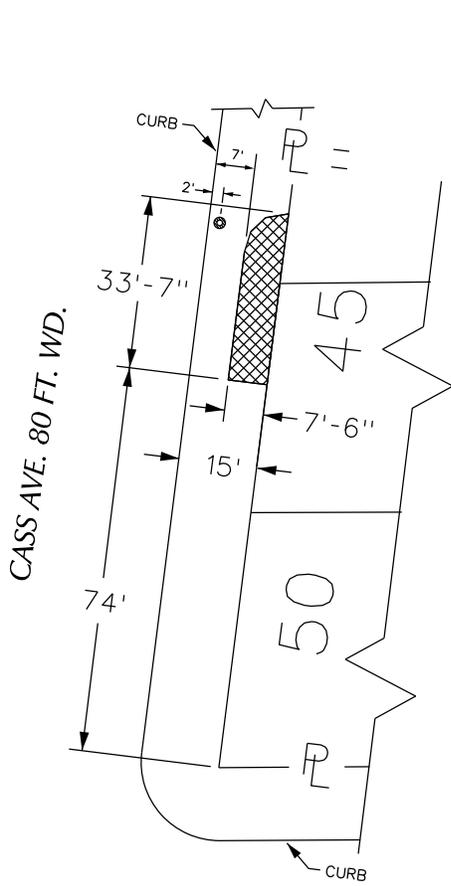
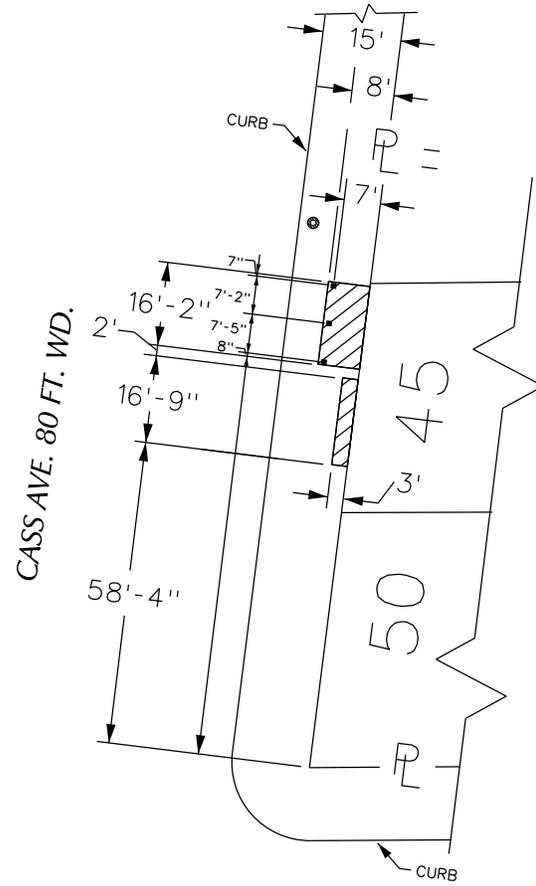


PETITION NO. 349  
 CHOLADA CHAN  
 4710 CASS AVE.  
 DETROIT, MICHIGAN 48201  
 C/O ERIC CHUA  
 PHONE NO. 248 880-6833



FOREST AVE. 70 FT. WD.



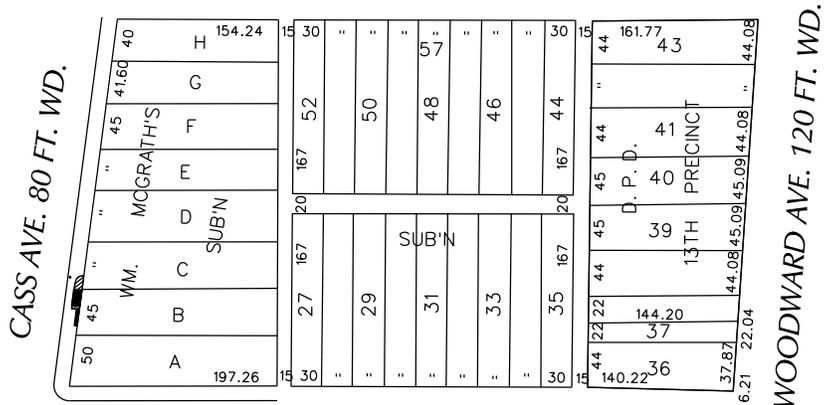
FOREST AVE. 70 FT. WD.

HANCOCK AVE. 70 FT. WD.

 Steel Tube  
 Light pole

 - REQUEST ENCROACHMENT  
 (At Grade to 8 Feet)

 - REQUEST ENCROACHMENT  
 (With Outdoor Seating)



FOREST AVE. 70 FT. WD.

(FOR OFFICE USE ONLY)

CARTO 30 E

B					
A					
DESCRIPTION		DRWN	CHKD	APPD	DATE
REVISIONS					
DRAWN BY	WLW	CHECKED	KSM		
DATE	07-30-18	APPROVED			

REQUEST ENCROACHMENT  
 INTO CASS  
 AT 4710 CASS AVE.  
 (With Outdoor Seating and Canopies)

CITY OF DETROIT  
 CITY ENGINEERING DEPARTMENT  
 SURVEY BUREAU

JOB NO. 01-01

DRWG. NO. X 349