

City of Detroit
City Engineering Division, Department of Public Works
Survey Bureau

NOTICE OF PROPOSED CHANGE IN PROPERTY

2nd Notice: 1/14/19

Date: 11/16/2018

Petition: x297

- | | |
|--|---|
| <input type="checkbox"/> AT&T Telecommunication | <input checked="" type="checkbox"/> Berm Use |
| <input type="checkbox"/> Comcast Television (CATV) | <input type="checkbox"/> Conversion to Easement |
| <input type="checkbox"/> Detroit Edison (DTE) | <input type="checkbox"/> Dedication |
| <input checked="" type="checkbox"/> Fire Department | <input type="checkbox"/> Encroachment |
| <input type="checkbox"/> Great Lakes Water Authority | <input type="checkbox"/> Outright Vacation |
| <input type="checkbox"/> Land Bank Authority | <input type="checkbox"/> Temporary Closing |
| <input type="checkbox"/> Michcon (DTE) | |
| <input type="checkbox"/> Planning & Development Department | |
| <input type="checkbox"/> Public Lighting Authority | |
| <input type="checkbox"/> Public Lighting Department | |
| <input type="checkbox"/> Police Department | |
| <input type="checkbox"/> Solid Waste Division, DPW | |
| <input type="checkbox"/> Street Design Bureau, DPW | |
| <input type="checkbox"/> Street Maintenance Division, DPW | |
| <input type="checkbox"/> Traffic Engineering Division, DPW | |
| <input type="checkbox"/> Water and Sewerage Department | |
| <input type="checkbox"/> _____ | |

A petition drawing is attached. Property shown on the attached print is proposed to be changed as indicated. Kindly report (using the back of this sheet) the nature of your services, if any affected by the proposed change and the estimated costs of removing and rerouting such services (if necessary).

Please return one copy to City Engineering Division, DPW within two weeks of the submittal date. Retain one copy and print for you file.

Ron Brundidge, Director, Department of Public Works

By: Richard Doherty, CED DPW
City Engineer

TO: City Engineering Division, DPW
2 Woodward Ave., Suite 642
Detroit, Michigan 48226-3462
Survey Bureau: 313-224-3970

Petition: x297

The proposed change in property (referred to on the other side of this sheet) would affect our services as follows:

Not Involved

Involved; but asking you to hold action on this petition until further notice.

Involved; but no objections to the property change. MAINTAIN FIRE DEPARTMENT VEHICLE ACCESS TO ALL BUILDINGS, FIRE HYDRANTS, AND (FDC) FIRE DEPARTMENT CONNECTIONS.

Involved; objection to the property change.

Involved; but no objections to the property change...provided as easement of the full width of the public right-of-way (street, alley or other public place) is reserved.

Involved; the nature of our services and the estimated costs of removing and/or rerouting such services are:

Fire

(Utility or City Department)

David Humeur
By

Chief
Title

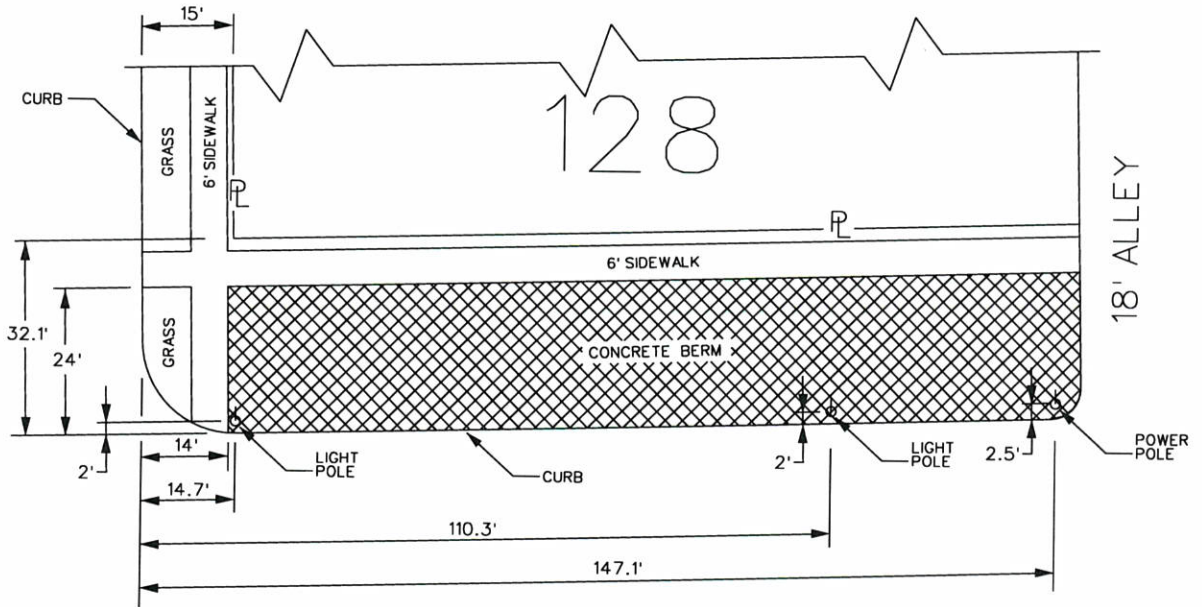
1-11-19
Date

224-1311
Area code - Telephone number

PETITION NO. 297
 INTERSECTION CONSULTING GROUP
 C/O AUTO BUD'S AUTO REPAIR
 2233 PARK AVE.
 DETROIT, MICHIGAN 48201
 BRIAN R. ELLISON
 PHONE NO. 313 397-5863



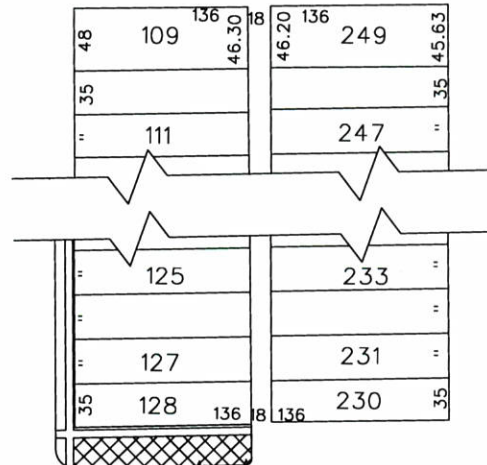
CLOVERDALE AVE.
 60 FT. WD.



OAKMAN BLVD. 175 FT. WD.

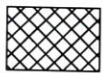
CORTLAND AVE. 60 FT. WD.

CLOVERDALE AVE.
 60 FT. WD.



JEFFRIES FWY.

OAKMAN BLVD. 175 FT. WD.



- REQUESTED BERM USE
 (For Parking Only)

(FOR OFFICE USE ONLY)

CARTO 8 F

B					
A					
DESCRIPTION	DRWN	CHKD	APPD	DATE	
REVISIONS					
DRAWN BY	WLW	CHECKED	KSM		
DATE	11-16-18	APPROVED			

**REQUEST BERM USE
 (For Parking Only)
 INTO OAKMAN BLVD.
 AT 12080 CLOVERDALE**

CITY OF DETROIT
 CITY ENGINEERING DIVISION
 SURVEY BUREAU

JOB NO. 01-01

DRWG. NO. X 297