

City of Detroit
City Engineering Division, Department of Public Works
Survey Bureau

NOTICE OF PROPOSED CHANGE IN PROPERTY

Date: 12/05/2018

Petition: x291

- | | |
|---|--|
| <input type="checkbox"/> AT&T Telecommunication | <input type="checkbox"/> Berm Use |
| <input type="checkbox"/> Comcast Television (CATV) | <input checked="" type="checkbox"/> Conversion to Easement |
| <input type="checkbox"/> Detroit Edison (DTE) | <input type="checkbox"/> Dedication |
| <input type="checkbox"/> Fire Department | <input type="checkbox"/> Encroachment |
| <input type="checkbox"/> Great Lakes Water Authority | <input type="checkbox"/> Outright Vacation |
| <input type="checkbox"/> Land Bank Authority | <input type="checkbox"/> Temporary Closing |
| <input type="checkbox"/> Michcon (DTE) | |
| <input checked="" type="checkbox"/> Planning & Development Department | |
| <input type="checkbox"/> Public Lighting Authority | |
| <input type="checkbox"/> Public Lighting Department | |
| <input type="checkbox"/> Police Department | |
| <input type="checkbox"/> Solid Waste Division, DPW | |
| <input type="checkbox"/> Street Design Bureau, DPW | |
| <input type="checkbox"/> Street Maintenance Division, DPW | |
| <input type="checkbox"/> Traffic Engineering Division, DPW | |
| <input type="checkbox"/> Water and Sewerage Department | |
| <input type="checkbox"/> _____ | |

A petition drawing is attached. Property shown on the attached print is proposed to be changed as indicated. Kindly report (using the back of this sheet) the nature of your services, if any affected by the proposed change and the estimated costs of removing and rerouting such services (if necessary).

Please return one copy to City Engineering Division, DPW within two weeks of the submittal date. Retain one copy and print for you file.

Ron Brundidge, Director, Department of Public Works

By: Richard Doherty, CED DPW
City Engineer

**TO: City Engineering Division, DPW
2 Woodward Ave., Suite 642
Detroit, Michigan 48226-3462
Survey Bureau: 313-224-3970**

Petition: x291

The proposed change in property (referred to on the other side of this sheet) would affect our services as follows:

- Not Involved
- Involved; but asking you to hold action on this petition until further notice.
- Involved; but no objections to the property change.
- Involved; objection to the property change.
Petitioner needs to show protection of existing gas pump adjacent to the proposed easement and parking area behind the gas station.
- Involved; but no objections to the property change...provided as easement of the full width of the public right-of-way (street, alley or other public place) is reserved.
- Involved; the nature of our services and the estimated costs of removing and/or rerouting such services are:

City of Detroit-Planning & Development Department
(Utility or City Department)

Greg Moots
By

Greg Moots-Lead Planner-Office of Zoning Innovation
Title

Mar 25, 19
Date

313-224-1358
Area code – Telephone number

PETITION NO. 291
 MICHIGAN PROPERTIES, LLC
 7931 MICHIGAN AVE.,
 DETROIT, MICHIGAN 48210
 ALI NASSAR
 PHONE NO. (313) 729-6021

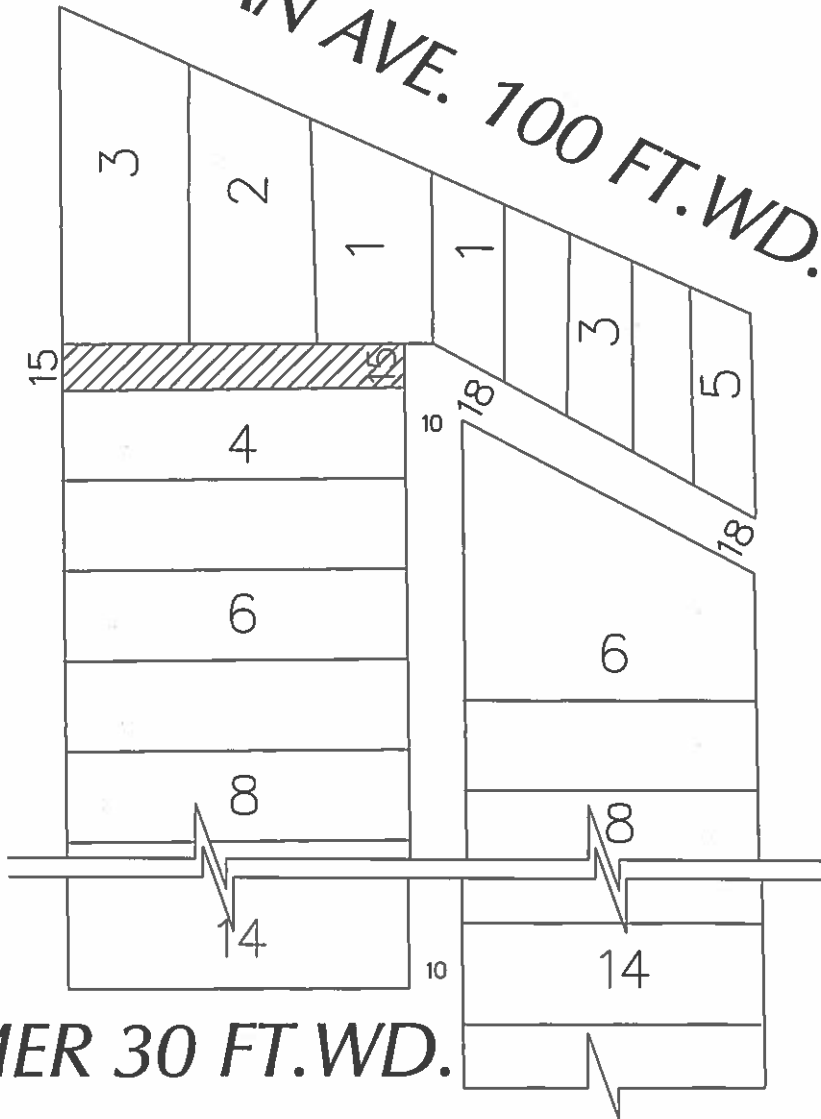


MICHIGAN AVE. 100 FT. WD.

LUMLEY AVE. 50 FT. WD.

SPRINGWELLS AVE. 50 FT. WD.

SUMMER 30 FT. WD.



 - CONVERSION TO EASEMENT

(FOR OFFICE USE ONLY)

CARTO 4A

B					
A					
DESCRIPTION	DRWN	CHEK	APPD	DATE	
REVISIONS					
DRAWN BY	SA	CHECKED	KSM		
DATE	12-05-18	APPROVED			

CONVERSION TO EASEMENT THE
 WEST/EAST PUBLIC ALLEY, 15 FT. WD.
 IN THE BLOCK BOUND BY
 MICHIGAN AVE., SPRINGWELLS AVE.,
 SUMMER AND LUMLEY AVE.

CITY OF DETROIT	
CITY ENGINEERING DEPARTMENT	
SURVEY BUREAU	
JOB NO.	01-01
DRWG. NO.	X 291