

TO: City Engineering Division, DPW
2 Woodward Ave., Suite 642
Detroit, MI 48226-3462
Survey Bureau: 313-224-3970

Petition No. 205

The proposed change in property (referred to above) would affect our services as follows:

- () Not Involved.
- () Involved; but asking you to hold action on this petition until further notice.
- () Involved; the nature of our services, and the estimated costs of removing and/or rerouting such services are:
- (X) Involved; have no objection to the requested encroachment into Woodward and Congress at 600 Woodward Ave. as shown on drawing no. x205 dated 4/19/2018 and revised on 11/1/2018 provided that a minimum 6 ft wide clear unobstructed sidewalk shall be maintained for pedestrian traffic at all times.

Traffic Engineering Division - DPW
(Utility or City Department)

Ashok Patel *Sunny Jacob*
By

City Traffic Engineer
Title

November 2, 2018
Date

313 224-1610
Area code-Telephone number

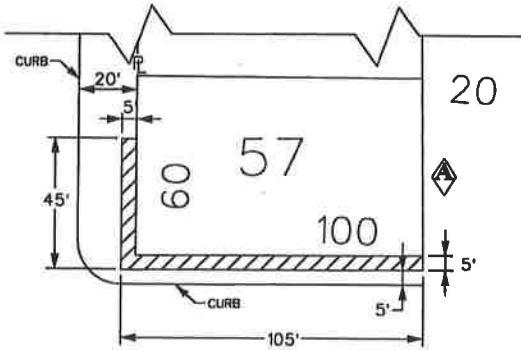
MA/ma

PETITION NO. 205
 BEDROCK MANAGEMENT LLC
 C/O GIFFELS WEBSTER
 28 W. ADAMS, SUITE 1200
 DETROIT, MICHIGAN 48226
 C/O MICHAEL MARKS P.E.
 PHONE NO. 313 962-4442

"REVISED"

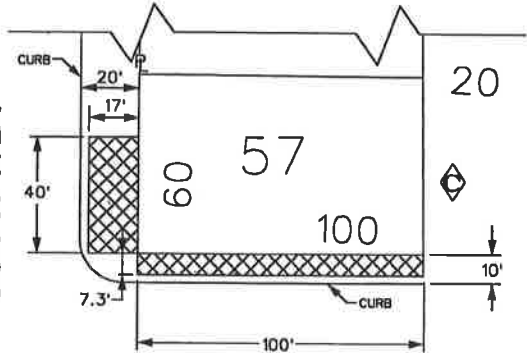


WOODWARD AVE.
190 FT. WD.



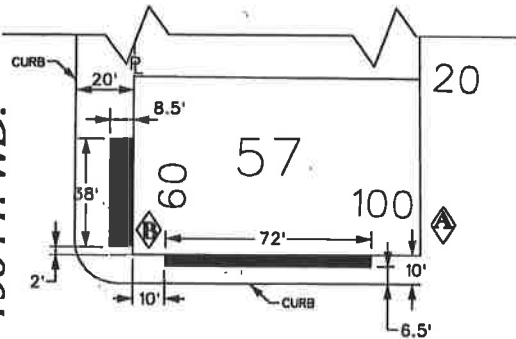
CONGRESS ST. 60 FT. WD.

WOODWARD AVE.
190 FT. WD.



CONGRESS ST. 60 FT. WD.

WOODWARD AVE.
190 FT. WD.



CONGRESS ST. 60 FT. WD.



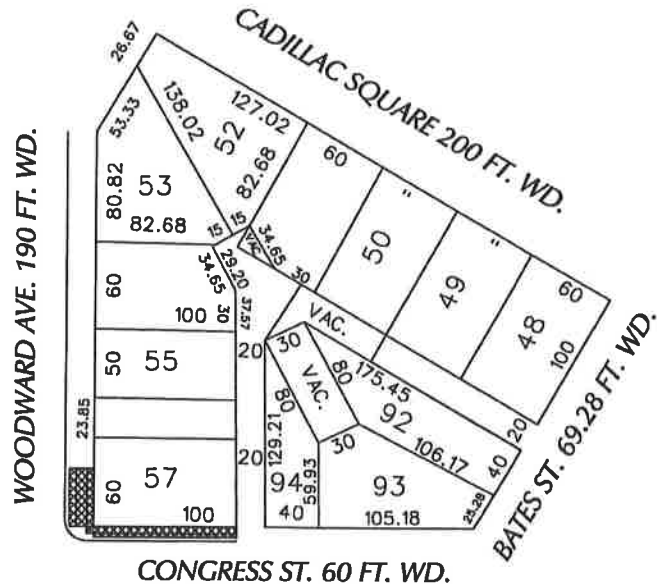
- REQUEST ENCROACHMENT
(Below Ground 0' to -11.5')



- REQUEST ENCROACHMENT
(Above Ground 8.5' to 172')



- REQUEST ENCROACHMENT
(At Ground Level 0' to 8.5')



CONGRESS ST. 60 FT. WD.

(FOR OFFICE USE ONLY)

CARTO 28 F

DESCRIPTION	DRWN	CHKD	APPD	DATE
C REMOVING ENCROACHMENT IN THE ALLEYWAY	WLW	KSM	KSM	11/01/18
B REDUCING ENCROACHMENT ON WOODWARD FROM 45' TO 38' AND ON CONGRESS FROM 57' TO 52'	WLW	KSM	KSM	10/19/18
A REDUCING ENCROACHMENT ON WOODWARD FROM 17' TO 8.5' REMOVING ENCROACHMENT IN THE ALLEYWAY REMOVING ENCROACHMENT ON CONGRESS FROM 7.3' TO 0'	WLW	KSM	KSM	8/31/18
REVISIONS				
DRAWN BY	WLW	CHECKED	KSM	
DATE	04-19-18	APPROVED		

REQUEST ENCROACHMENT
 INTO WOODWARD AND CONGRESS
 AT 600 WOODWARD AVE.

CITY OF DETROIT CITY ENGINEERING DEPARTMENT SURVEY BUREAU	
JOB NO.	01-01
DRWG. NO.	X 205