

City of Detroit
City Engineering Division, Department of Public Works
Survey Bureau

3rd Notice: 07/16/18

2nd Notice: 06/13/18

NOTICE OF PROPOSED CHANGE IN PROPERTY

Date: 04/19/2018

Petition: x205

- | | |
|--|--|
| <input type="checkbox"/> AT&T Telecommunication | <input type="checkbox"/> Berm Use |
| <input type="checkbox"/> Comcast Television (CATV) | <input type="checkbox"/> Conversion to Easement |
| <input type="checkbox"/> Detroit Edison (DTE) | <input type="checkbox"/> Dedication |
| <input checked="" type="checkbox"/> Fire Department | <input checked="" type="checkbox"/> Encroachment |
| <input type="checkbox"/> Great Lakes Water Authority | <input type="checkbox"/> Outright Vacation |
| <input type="checkbox"/> Land Bank Authority | <input type="checkbox"/> Temporary Closing |
| <input type="checkbox"/> Michcon (DTE) | |
| <input type="checkbox"/> Planning & Development Department | |
| <input type="checkbox"/> Public Lighting Authority | |
| <input type="checkbox"/> Public Lighting Department | |
| <input type="checkbox"/> Police Department | |
| <input type="checkbox"/> Solid Waste Division, DPW | |
| <input type="checkbox"/> Street Design Bureau, DPW | |
| <input type="checkbox"/> Street Maintenance Division, DPW | |
| <input type="checkbox"/> Traffic Engineering Division, DPW | |
| <input type="checkbox"/> Water and Sewerage Department | |
| <input type="checkbox"/> _____ | |

A petition drawing is attached. Property shown on the attached print is proposed to be changed as indicated. Kindly report (using the back of this sheet) the nature of your services, if any affected by the proposed change and the estimated costs of removing and rerouting such services (if necessary).

Please return one copy to City Engineering Division, DPW within two weeks of the submittal date. Retain one copy and print for you file.

Ron Brundidge, Director, Department of Public Works

By: Richard Doherty, CED DPW
City Engineer

TO: City Engineering Division, DPW
2 Woodward Ave., Suite 642
Detroit, Michigan 48226-3462
Survey Bureau: 313-224-3970

Petition: x205

The proposed change in property (referred to on the other side of this sheet) would affect our services as follows:

Not Involved

Involved; but asking you to hold action on this petition until further notice.

Involved; but no objections to the property change.

*MAINTAIN FIRE DEPARTMENT ACCESS TO ALL HYDRANTS
AND FIRE DEPARTMENT CONNECTIONS. (CLEAR
UNOBSTRUCTED
ACCESS.)*

Involved; objection to the property change.

Involved; but no objections to the property change...provided as easement of the full width of the public right-of-way (street, alley or other public place) is reserved.

Involved; the nature of our services and the estimated costs of removing and/or rerouting such services are:

Fire
(Utility or City Department)

By Steve Kerner

Title Chief

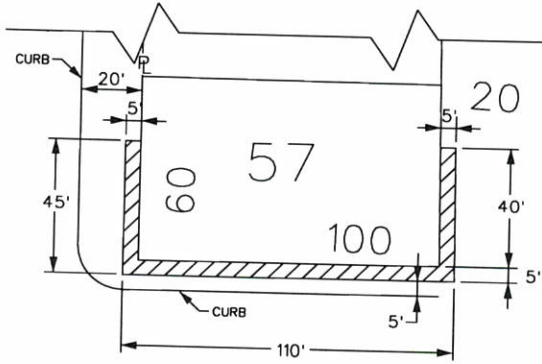
Date 7-17-18

Area code - Telephone number 224-1311

PETITION NO. 205
 BEDROCK MANAGEMENT LLC
 C/O GIFFELS WEBSTER
 28 W. ADAMS, SUITE 1200
 DETROIT, MICHIGAN 48226
 C/O MICHAEL MARKS P.E.
 PHONE NO. 313 962-4442

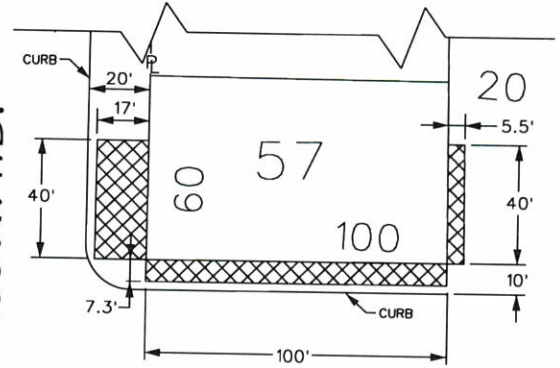


WOODWARD AVE.
 190 FT. WD.



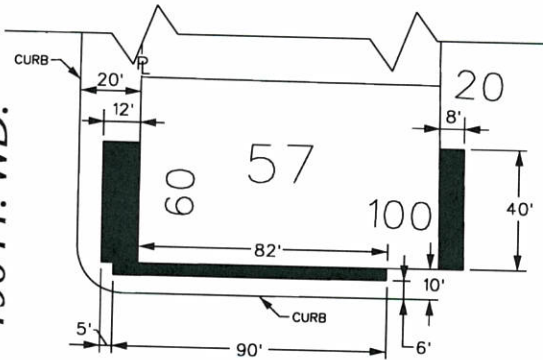
CONGRESS ST. 60 FT. WD.

WOODWARD AVE.
 190 FT. WD.

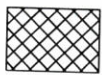


CONGRESS ST. 60 FT. WD.

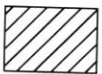
WOODWARD AVE.
 190 FT. WD.



CONGRESS ST. 60 FT. WD.



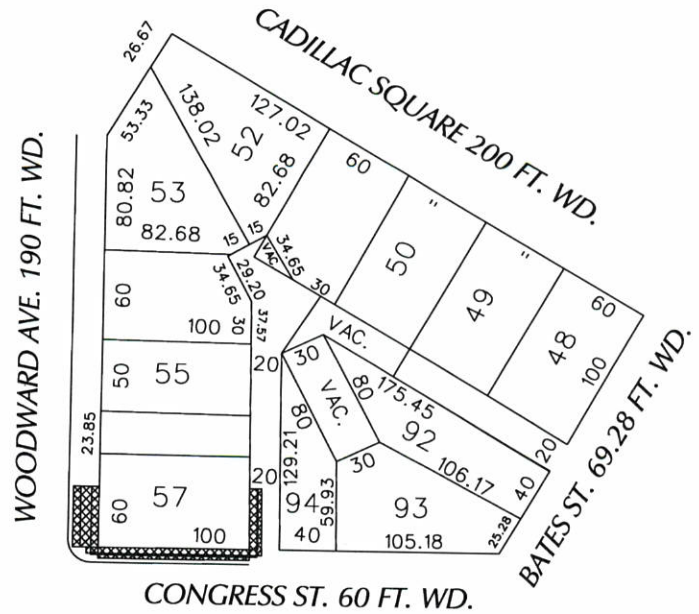
- REQUEST ENCROACHMENT
 (Below Ground 0' to -11.5')



- REQUEST ENCROACHMENT
 (Above Ground 8.5' to 172')



- REQUEST ENCROACHMENT
 (At Ground Level 0' to 8.5')



CONGRESS ST. 60 FT. WD.

CARTO 28 F

(FOR OFFICE USE ONLY)

B					
A					
DESCRIPTION	DRWN	CHKD	APPD	DATE	
REVISIONS					
DRAWN BY	WLW	CHECKED	KSM		
DATE	04-19-18	APPROVED			

REQUEST ENCROACHMENT
 INTO WOODWARD, CONGRESS AND A
 PORTION OF THE NORTH/SOUTH PUBLIC ALLEY
 AT 600 WOODWARD AVE.

CITY OF DETROIT CITY ENGINEERING DEPARTMENT SURVEY BUREAU	
JOB NO.	01-01
DRWG. NO.	X 205