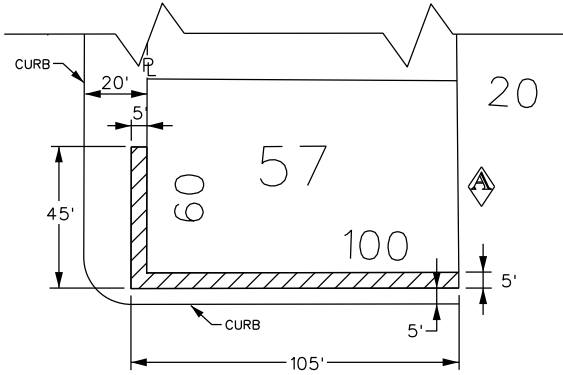


PETITION NO. 205  
 BEDROCK MANAGEMENT LLC  
 C/O GIFFELS WEBSTER  
 28 W. ADAMS, SUITE 1200  
 DETROIT, MICHIGAN 48226  
 C/O MICHAEL MARKS P.E.  
 PHONE NO. 313 962-4442

**"REVISED"**

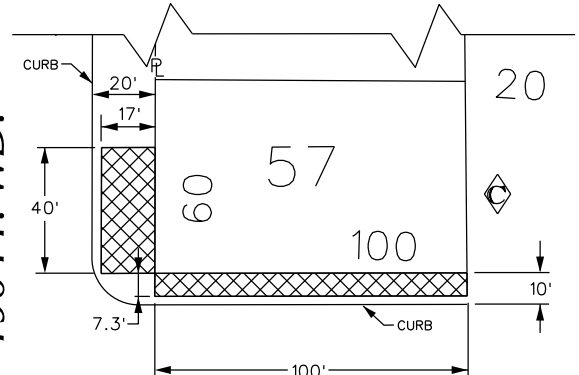


WOODWARD AVE.  
190 FT. WD.



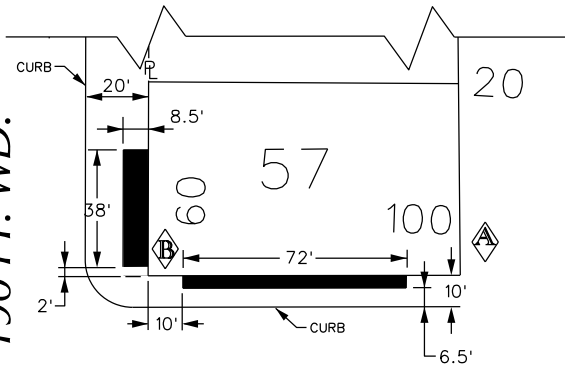
CONGRESS ST. 60 FT. WD.

WOODWARD AVE.  
190 FT. WD.

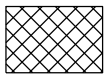


CONGRESS ST. 60 FT. WD.

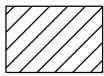
WOODWARD AVE.  
190 FT. WD.



CONGRESS ST. 60 FT. WD.



- REQUEST ENCROACHMENT  
(Below Ground 0' to -11.5')

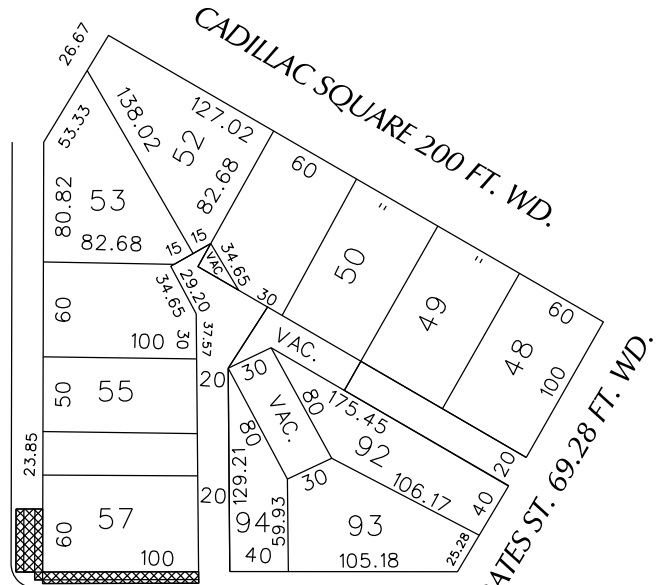


- REQUEST ENCROACHMENT  
(Above Ground 8.5' to 172')



- REQUEST ENCROACHMENT  
(At Ground Level 0' to 8.5')

WOODWARD AVE. 190 FT. WD.



CONGRESS ST. 60 FT. WD.

CARTO 28 F

DESCRIPTION	DRWN	CHKD	APPD	DATE
C REMOVING ENCROACHMENT IN THE ALLEYWAY.	WLW	KSM	KSM	11/01/18
B REDUCING ENCROACHMENT ON WOODWARD FROM 40' TO 38'. AND ON ON CONGRESS FROM 50' TO 72'.	WLW	KSM	KSM	10/19/18
A REDUCING ENCROACHMENT ON WOODWARD FROM 12' TO 8.5'. REMOVING ENCROACHMENT IN THE ALLEYWAY. REDUCING ENCROACHMENT ON CONGRESS FROM 4' TO 3.5'.	WLW	KSM	KSM	8/31/18
REVISIONS				
DRAWN BY	WLW	CHECKED	KSM	
DATE	04-19-18		APPROVED	

(FOR OFFICE USE ONLY)

REQUEST ENCROACHMENT  
 INTO WOODWARD AND CONGRESS  
 AT 600 WOODWARD AVE.

CITY OF DETROIT  
 CITY ENGINEERING DEPARTMENT  
 SURVEY BUREAU

JOB NO. 01-01

DRWG. NO. X 205