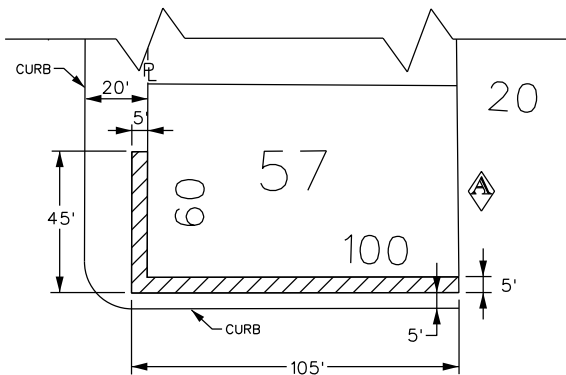


PETITION NO. 205  
 BEDROCK MANAGEMENT LLC  
 C/O GIFFELS WEBSTER  
 28 W. ADAMS, SUITE 1200  
 DETROIT, MICHIGAN 48226  
 C/O MICHAEL MARKS P.E.  
 PHONE NO. 313 962-4442

**"REVISED"**

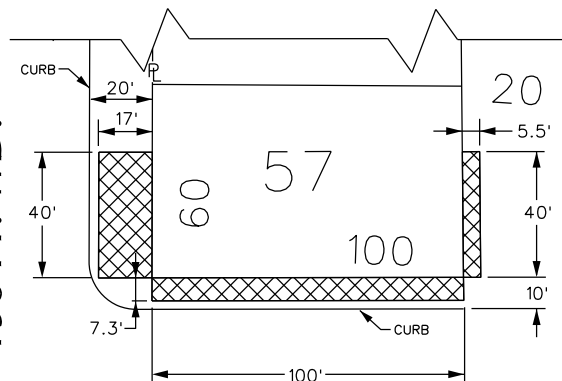


WOODWARD AVE.  
190 FT. WD.



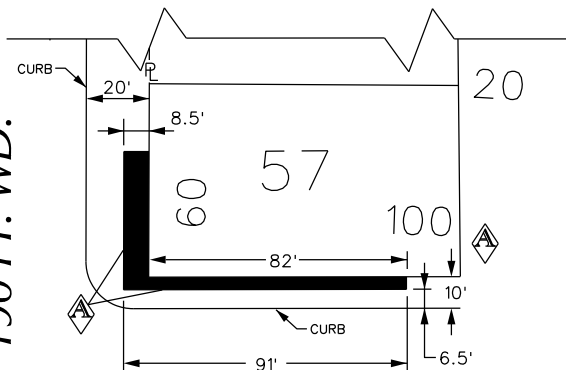
CONGRESS ST. 60 FT. WD.

WOODWARD AVE.  
190 FT. WD.



CONGRESS ST. 60 FT. WD.

WOODWARD AVE.  
190 FT. WD.



CONGRESS ST. 60 FT. WD.



- REQUEST ENCROACHMENT  
(Below Ground 0' to -11.5')

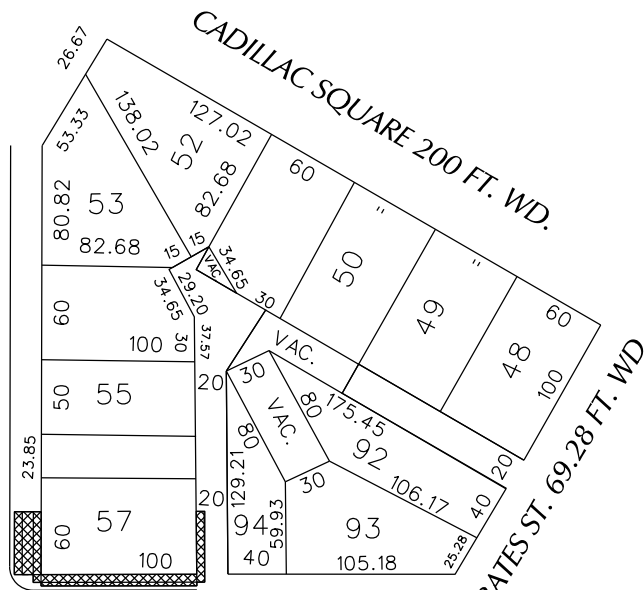


- REQUEST ENCROACHMENT  
(Above Ground 8.5' to 172')



- REQUEST ENCROACHMENT  
(At Ground Level 0' to 8.5')

WOODWARD AVE. 190 FT. WD.



CONGRESS ST. 60 FT. WD.

CARTO 28 F

(FOR OFFICE USE ONLY)

<b>B</b>					
<b>A</b>	REDUCING ENCROACHMENT ON WOODWARD FROM 17' TO 8.5'; REMOVING ENCROACHMENT IN THE ALLEYWAY; REDUCING ENCROACHMENT ON CONGRESS FROM 4' TO 5.5'.	WLW	KSM	KSM	8/31/18
	<b>DESCRIPTION</b>	<b>DRWN</b>	<b>CHKD</b>	<b>APPD</b>	<b>DATE</b>
<b>REVISIONS</b>					
<b>DRAWN BY</b>	WLW	<b>CHECKED</b>		KSM	
<b>DATE</b>	04-19-18	<b>APPROVED</b>			

REQUEST ENCROACHMENT  
 INTO WOODWARD, CONGRESS AND A  
 PORTION OF THE NORTH/SOUTH PUBLIC ALLEY  
 AT 600 WOODWARD AVE.

CITY OF DETROIT  
 CITY ENGINEERING DEPARTMENT  
 SURVEY BUREAU

JOB NO. 01-01

DRWG. NO. X 205