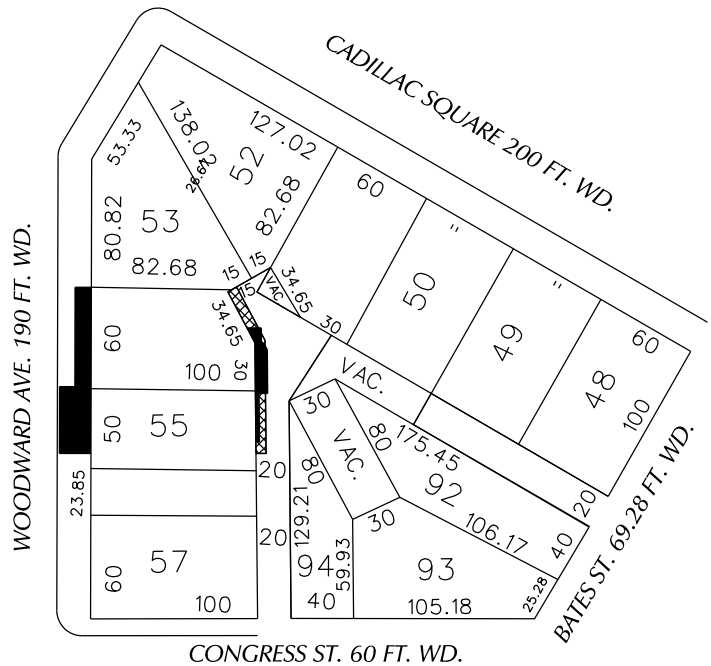
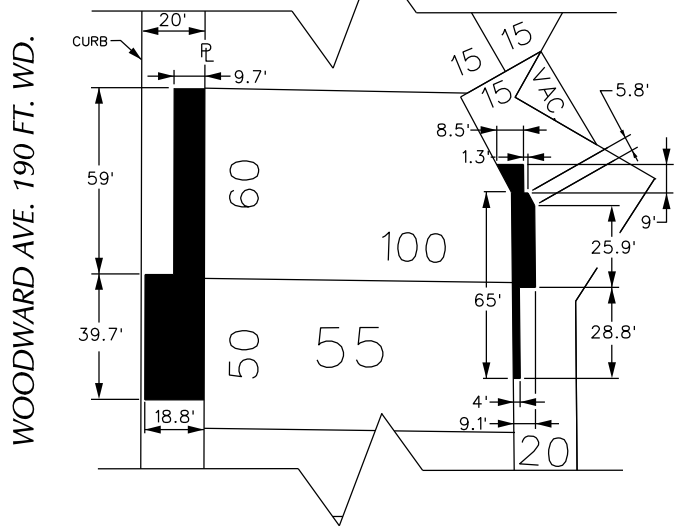
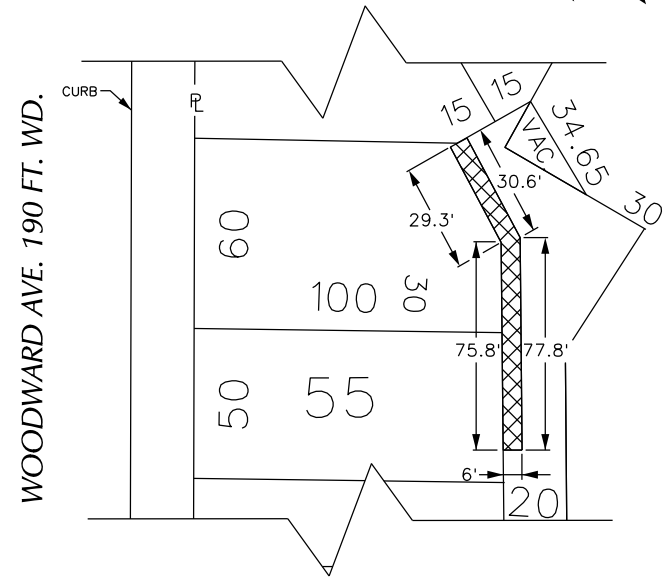
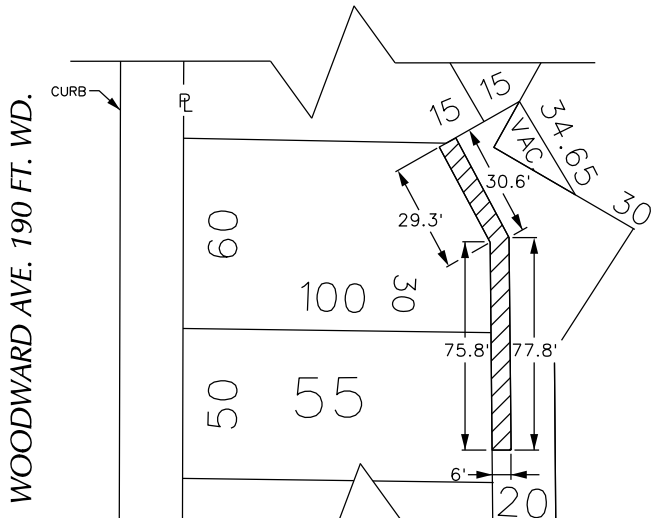


PETITION NO. 204  
 BEDROCK MANAGEMENT SERVICES, LLC  
 C/O GIFFELS WEBSTER  
 28 W. ADAMS, SUITE 1200  
 DETROIT, MICHIGAN 48226  
 C/O MICHAEL MARKS P.E.  
 PHONE NO. 313 962-4442



- BREAK LINE
- REQUEST ENCROACHMENT (Above Grade 8.5' to 68.63')
- REQUEST ENCROACHMENT (At Grade 0' to 8.5')
- REQUEST ENCROACHMENT (Below Ground 0' to -11.5')

(FOR OFFICE USE ONLY)

CARTO 28 F

B					
A					
DESCRIPTION		DRWN	CHKD	APPD	DATE
REVISIONS					
DRAWN BY	WLW	CHECKED	KSM		
DATE	04-26-18	APPROVED			

REQUEST ENCROACHMENT  
 INTO WOODWARD AND A  
 PORTION OF THE NORTH/SOUTH PUBLIC ALLEY  
 AT 620 and 630 WOODWARD AVE.

CITY OF DETROIT CITY ENGINEERING DEPARTMENT SURVEY BUREAU	
JOB NO.	01-01
DRWG. NO.	X 204