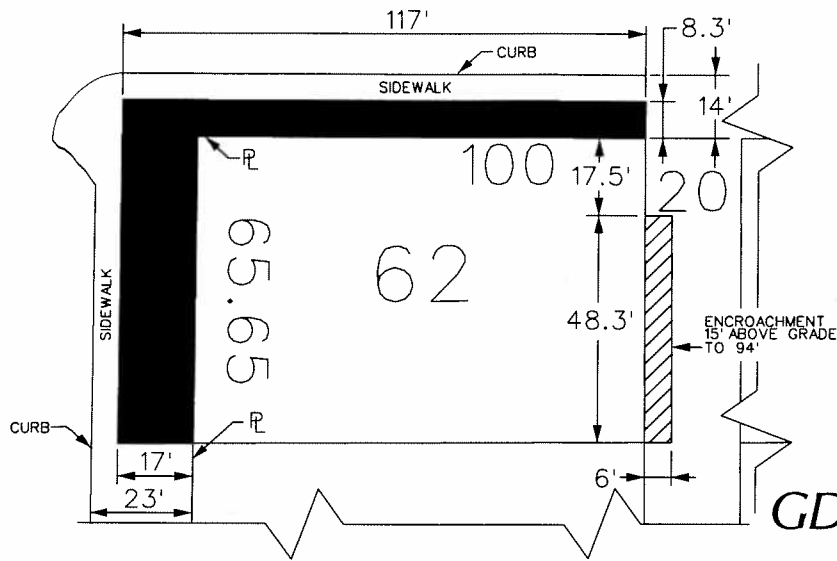


PETITION NO. 1778
 BEDROCK REAL ESTATE SERVICES, LLC
 C/O GIFFELS WEBSTER
 1092 WOODWARD AVE.
 DETROIT, MICHIGAN 48226
 C/O MICHAEL MARKS
 PHONE NO. 313 962-4442



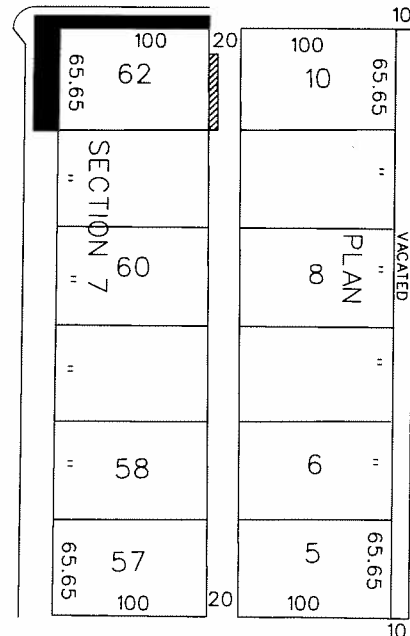
GD. RIVER AVE. 60 FT. WD.

LIBRARY AVE. 71 FT. WD.

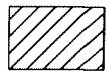


GD. RIVER AVE. 60 FT. WD.

LIBRARY AVE. 71 FT. WD.



BROADWAY AVE. 100 FT. WD.



- REQUEST ENCROACHMENT
 (With Balcony)



- REQUEST ENCROACHMENT
 (With Outdoor Seating)

GRATIOT AVE. 60 FT. WD.

CARTO 28 A

(FOR OFFICE USE ONLY)

B					
A					
	DESCRIPTION	DRWN	CHKD	APPD	DATE
	REVISIONS				
	DRAWN BY	CHECKED			
	DATE	APPROVED			
	10-06-17				

REQUEST ENCROACHMENT
 A PORTION OF THE NORTH/SOUTH PUBLIC ALLEY
 (With Balcony)
 AND INTO LIBRARY AND GD. RIVER AVE.
 AT 1274 LIBRARY
 (With Outdoor Seating)

CITY OF DETROIT CITY ENGINEERING DEPARTMENT SURVEY BUREAU	
JOB NO.	01-01
DRWG. NO.	X 1778

City of Detroit
**City Engineering Division, Department of Public Works
Survey Bureau**

NOTICE OF PROPOSED CHANGE IN PROPERTY

Date: 10/06/2017

Petition: x1778

- | | |
|--|--|
| <input type="checkbox"/> AT&T Telecommunication | <input type="checkbox"/> Berm Use |
| <input type="checkbox"/> Comcast Television (CATV) | <input type="checkbox"/> Conversion to Easement |
| <input type="checkbox"/> Detroit Edison (DTE) | <input type="checkbox"/> Dedication |
| <input type="checkbox"/> Fire Department | <input checked="" type="checkbox"/> Encroachment |
| <input type="checkbox"/> Great Lakes Water Authority | <input type="checkbox"/> Outright Vacation |
| <input type="checkbox"/> Land Bank Authority | <input type="checkbox"/> Temporary Closing |
| <input type="checkbox"/> Michcon (DTE) | |
| <input type="checkbox"/> Planning & Development Department | |
| <input type="checkbox"/> Public Lighting Authority | |
| <input type="checkbox"/> Public Lighting Department | |
| <input type="checkbox"/> Police Department | |
| <input type="checkbox"/> Solid Waste Division, DPW | |
| <input type="checkbox"/> Street Design Bureau, DPW | |
| <input type="checkbox"/> Street Maintenance Division, DPW | |
| <input type="checkbox"/> Traffic Engineering Division, DPW | |
| <input type="checkbox"/> Water and Sewerage Department | |
| <input type="checkbox"/> _____ | |

A petition drawing is attached. Property shown on the attached print is proposed to be changed as indicated. Kindly report (using the back of this sheet) the nature of your services, if any affected by the proposed change and the estimated costs of removing and rerouting such services (if necessary).

Please return one copy to City Engineering Division, DPW within two weeks of the submittal date. Retain one copy and print for you file.

Ron Brundidge, Director, Department of Public Works

By: Richard Doherty, CED DPW
City Engineer

**TO: City Engineering Division, DPW
2 Woodward Ave., Suite 642
Detroit, Michigan 48226-3462
Survey Bureau: 313-224-3970**

Petition: x1778

The proposed change in property (referred to on the other side of this sheet) would affect our services as follows:

- Not Involved
- Involved; but asking you to hold action on this petition until further notice.
- Involved; but no objections to the property change.
- Involved; objection to the property change.
- Involved; but no objections to the property change...provided as easement of the full width of the public right-of-way (street, alley or other public place) is reserved.
- Involved; the nature of our services and the estimated costs of removing and/or rerouting such services are:

AT&T
(Utility or City Department)

DEREK BULKLEY
By

DESIGN ENGINEER
Title

10/9/17
Date

(313) 240-5480
Area code - Telephone number