

City of Detroit
OFFICE OF THE CITY CLERK

Janice M. Winfrey
City Clerk

Vivian A. Hudson
Deputy City Clerk

DEPARTMENTAL REFERENCE COMMUNICATION

Thursday, August 24, 2017

To: The Department or Commission Listed Below

From: Janice M. Winfrey, Detroit City Clerk

The following petition is herewith referred to you for report and recommendation to the City Council.

In accordance with that body's directive, kindly return the same with your report in duplicate within four (4) weeks.

PLANNING AND DEVELOPMENT DEPARTMENT DPW

1759 *Yousif Kashat, request for encroachment for an alley located behind 2001 Woodward Avenue*

Jazz Liquor Store, Inc.
2001 Woodward Ave
Detroit, MI 48226

August 23, 2017

Honorable Detroit City Council
Attn: Office of the City Clerk
200 Coleman A. Young Muni Center
Detroit, MI 48226

Dear Honorable Body:

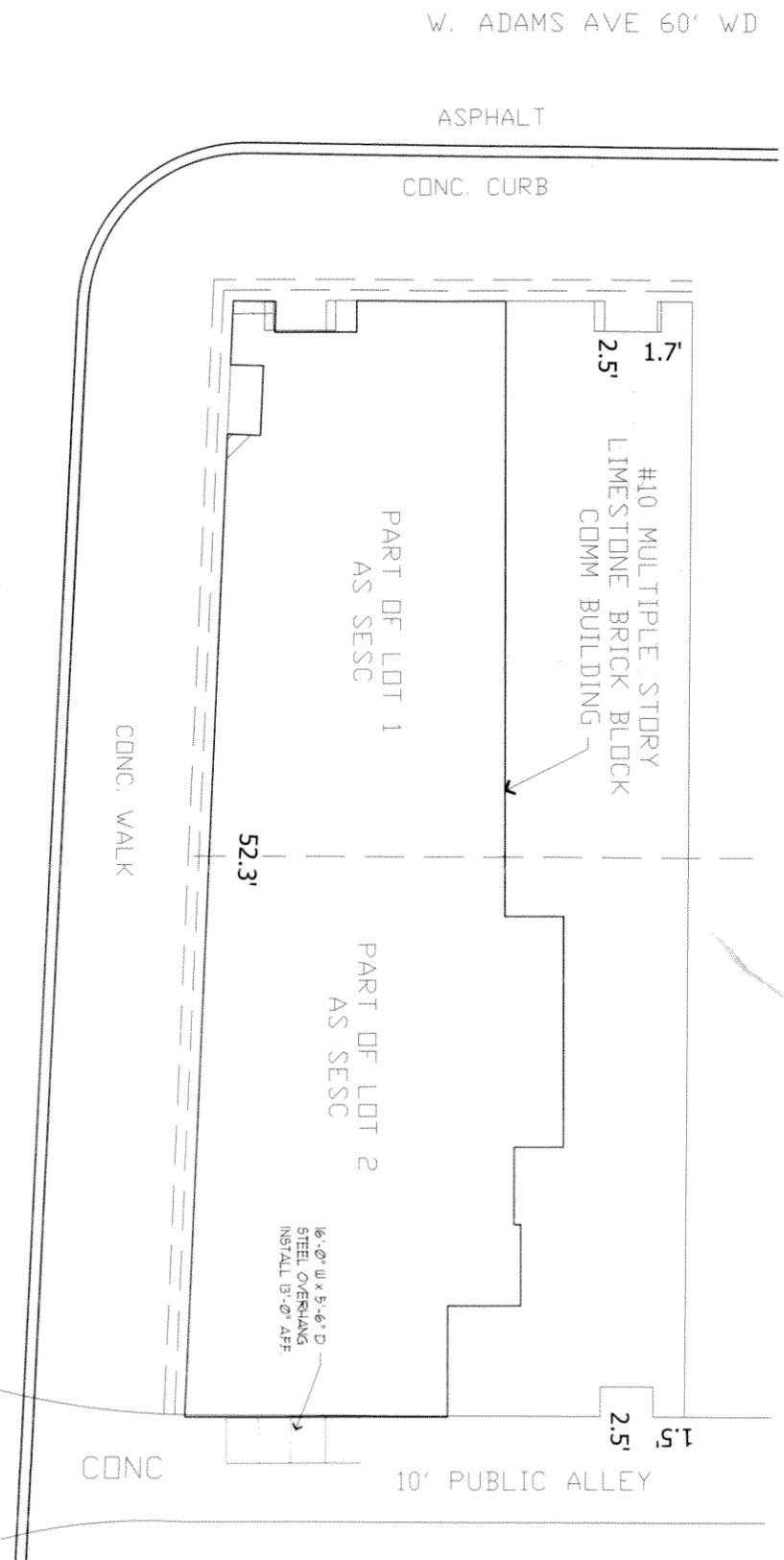
We, petition an encroachment approval for the alley behind
2001 Woodward Ave., Detroit, MI 48226. The reason
for the encroachment is to replace the attached exterior
compressor platform. We need the platform in our
final phase of the buildout.

Respectfully Submitted,



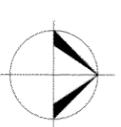
Yousif Kashat
248-755-5025
YousifKashat@icloud.com

CITY CLERK 23 AUG 2017 PM 1:24



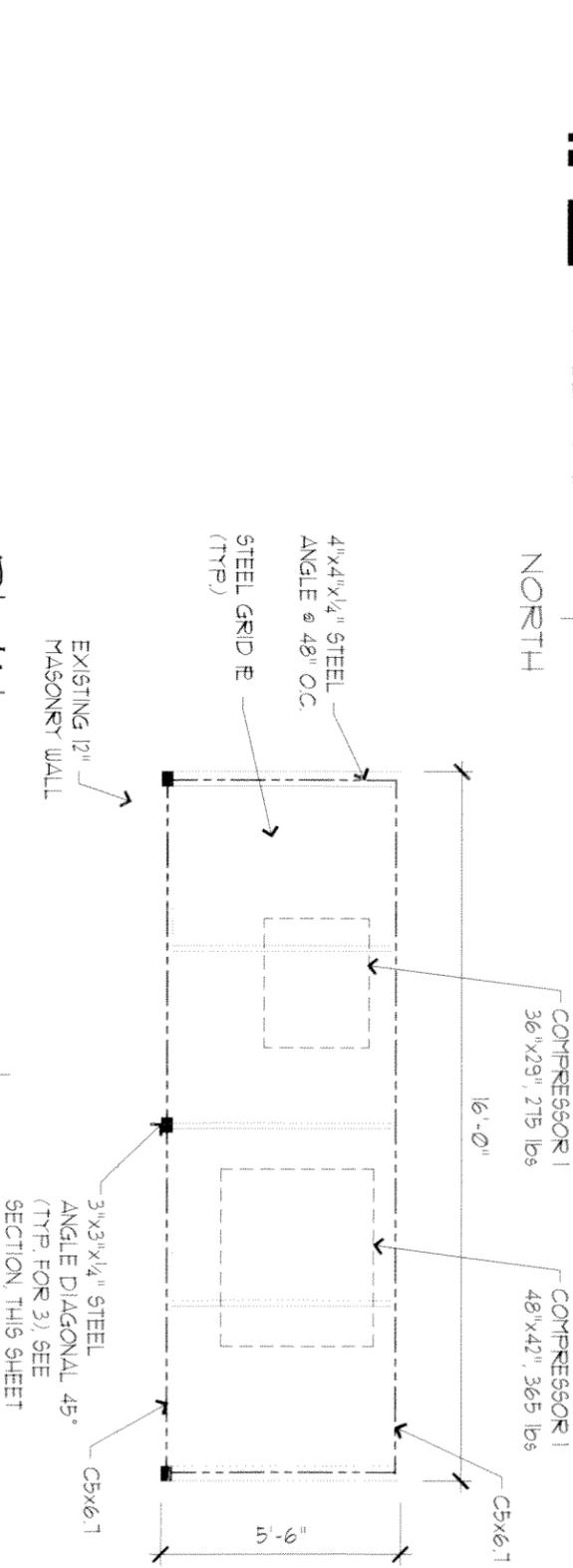
SITE PLAN

SCALE: NONE



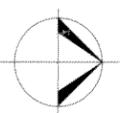
NORTH

WOODWARD AVE.

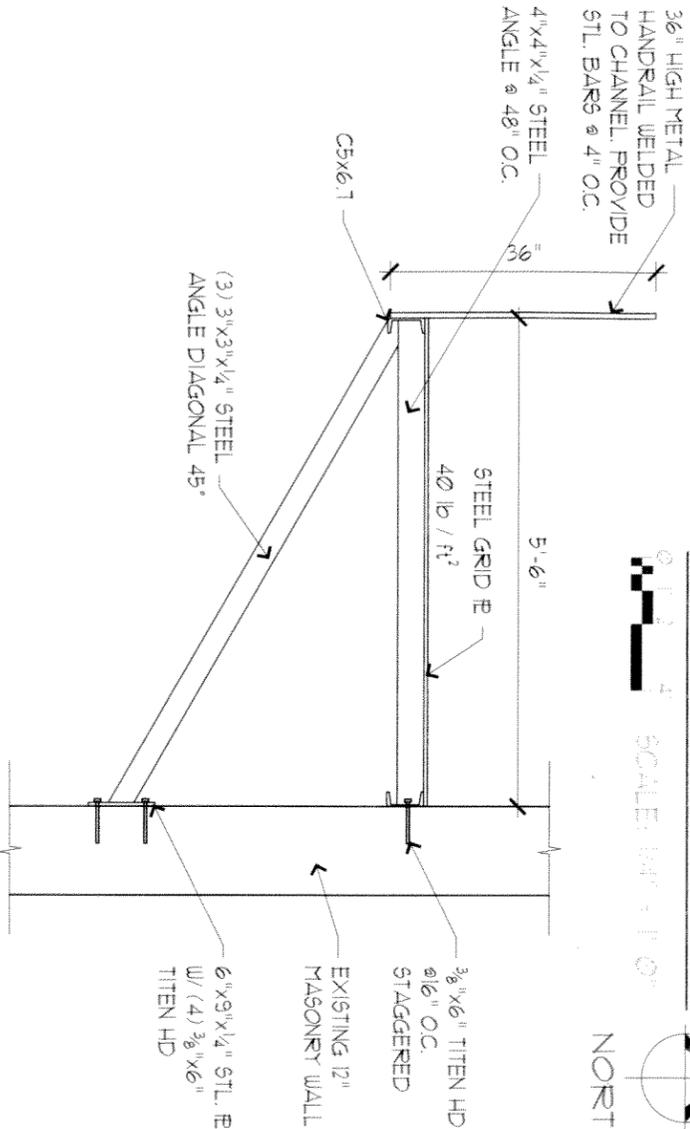


PLAN

SCALE: 1/4" = 1'-0"



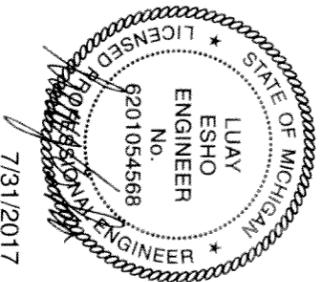
NORTH



SECTION

SCALE: 1/2" = 1'-0"

FOXTOWN MARKET
 2001 WOODWARD AVE.
 DETROIT, MI 48226
 Tel.: (248) 225-4439
 E-mail: Sammaim@yahoo.com



FRIENDSHIP ENGINEERING INC.
 3717 TIMBERCREST DR.
 TROY, MI 48083
 Tel.: (248) 246-6577
 Fax: (248) 246-6580
 E-mail: lesho@comcast.net

2017-08-24

1759

1759 *Petition of Yousif Kashat, request for encroachment for an alley located behind 2001 Woodward Avenue*

REFERRED TO THE FOLLOWING DEPARTMENT(S)

PLANNING AND DEVELOPMENT DEPARTMENT DPW